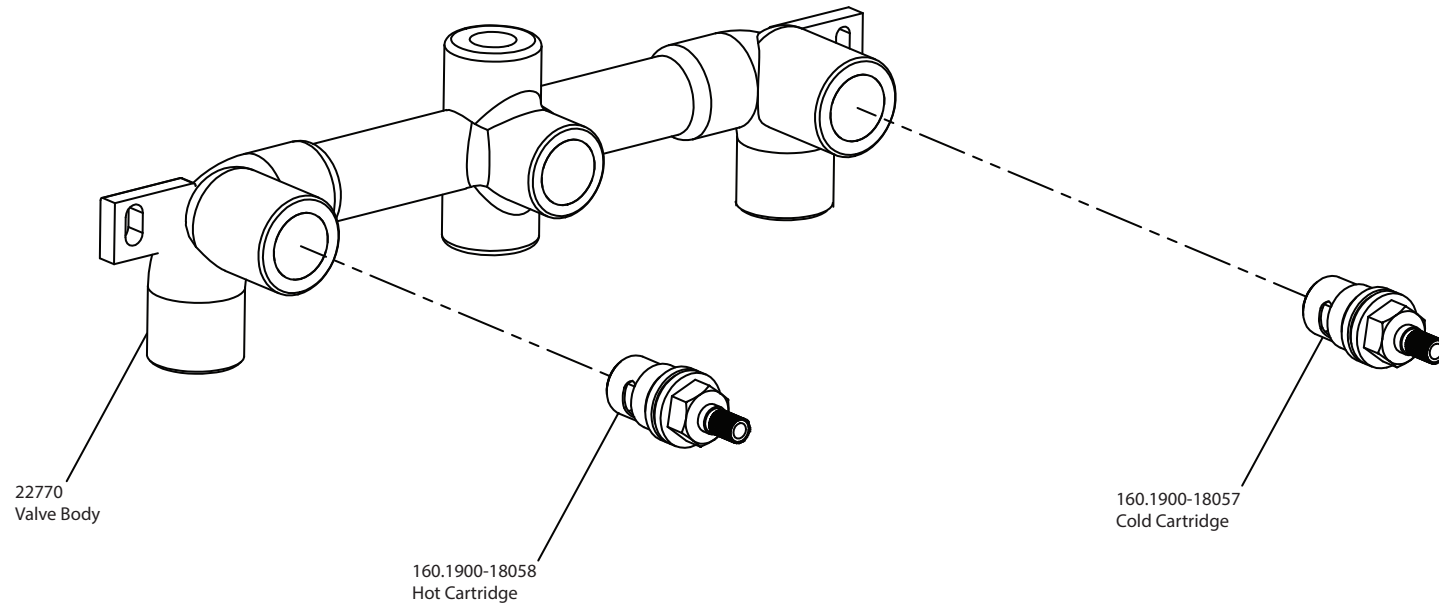


Product Parts Breakdown



isenberg
innovation+design

WLM.1900

Ver 2.53