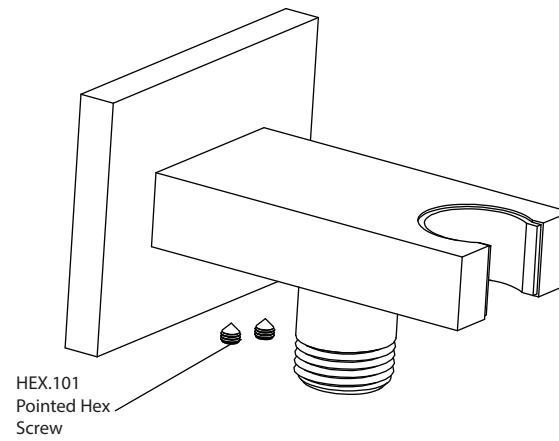
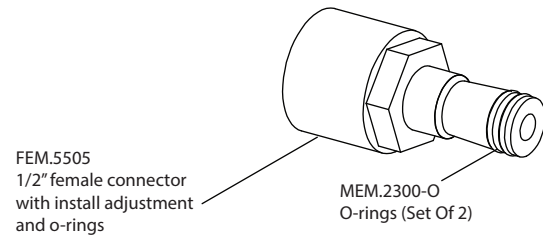


# Product Parts Breakdown



**isenberg**  
innovation+design

HS8006

Ver 2.53