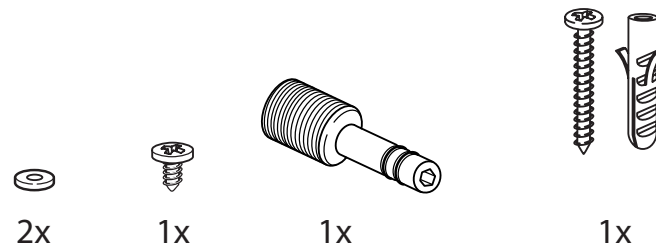
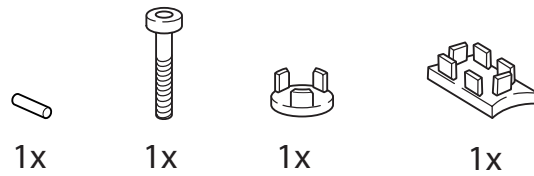
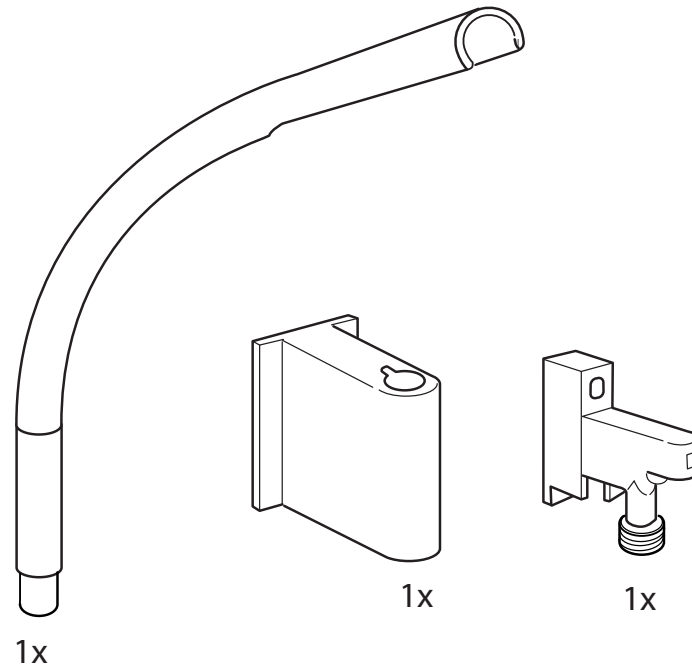


Product Parts Breakdown

▲ Specify Finish



isenberg
innovation+design

HS3050

Ver 2.53