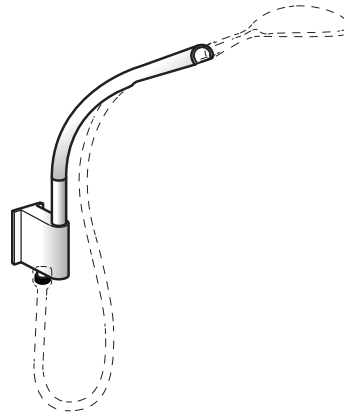


Installation Manual For HS3050 Swivel Shower Arm With Wall Elbow



NOTICE TO HOMEOWNER

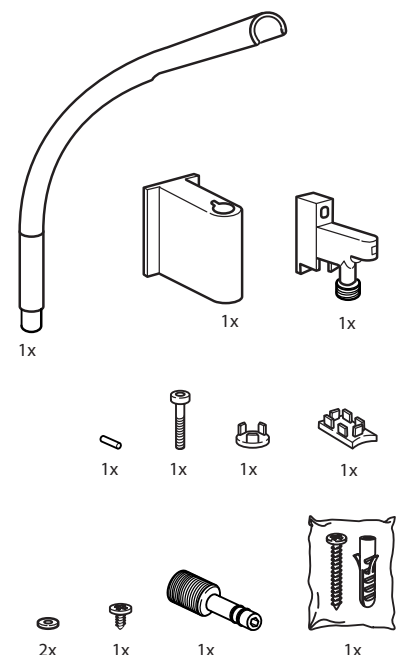
- We recommend that this product is installed by a qualified professional plumber.
- Please check this product immediately to ensure that it has not been damaged and is complete. Before installation, please make sure this product is the correct model and you have all the parts required for installation and use.
- Please flush the water system to ensure that no metal swarf, solder, and other impurities can enter the product.
- Turn off water supply before commencing work.
- Please read these instructions carefully and retain for future reference.

BEFORE YOU BEGIN

- You must observe all local plumbing laws and codes.
- Do not install this valve if it does not meet local plumbing codes.
- Shut off the main water supply.

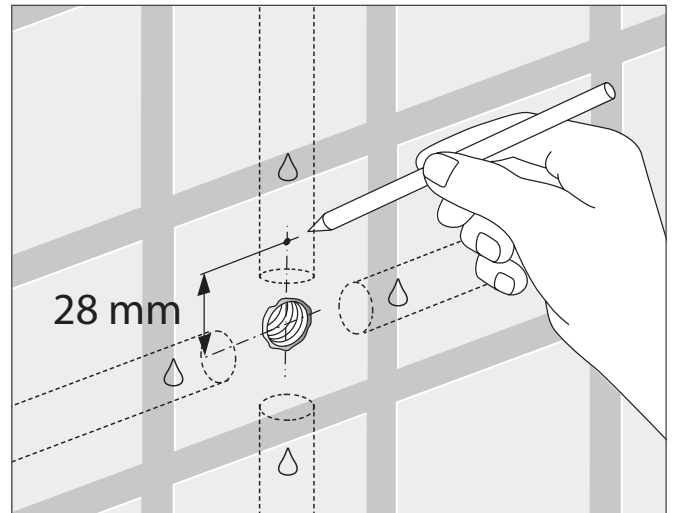
THIS SHOWER ARM CAN BE USED WITH ANY HOSE AND HAND HELD SHOWER.

INCLUDED IN THE BOX

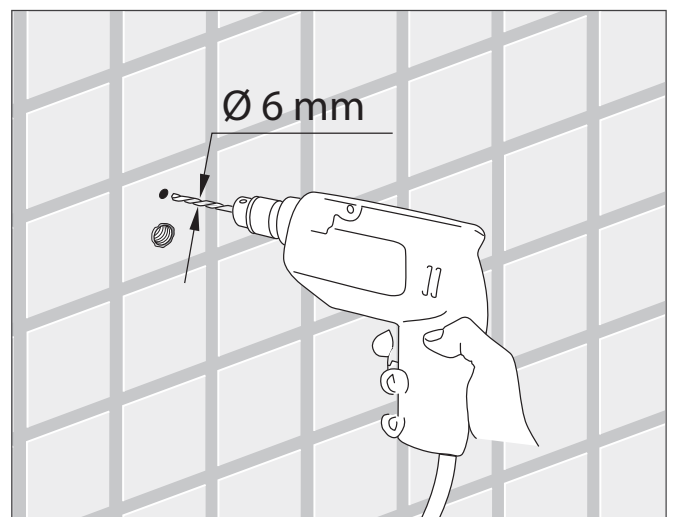


INSTALLATION PROCEDURE

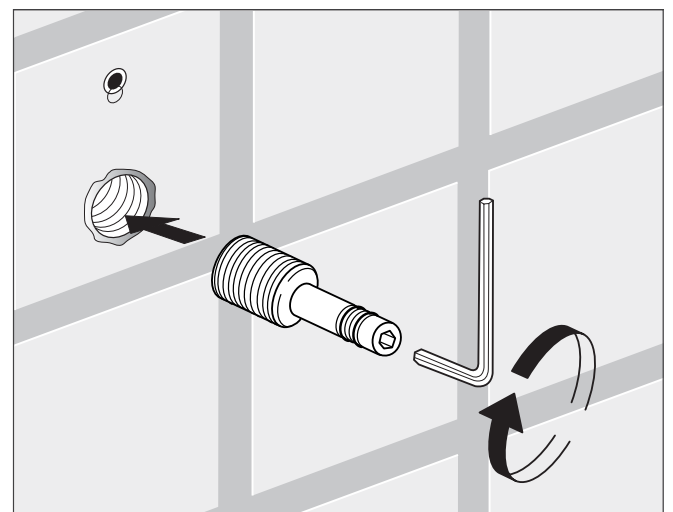
A) Provide 1/2" female connection and measure drill point 28mm above center point of 1/2" female connection.



B) Drill hole 28mm above center point of 1/2" female connection.

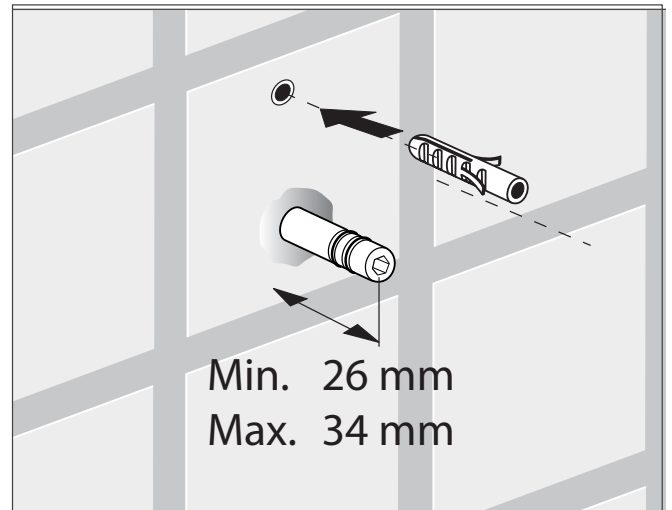


C) Insert and tighten 1/2" NPT brass connector by turning clock-wise using the appropriate Allen key.

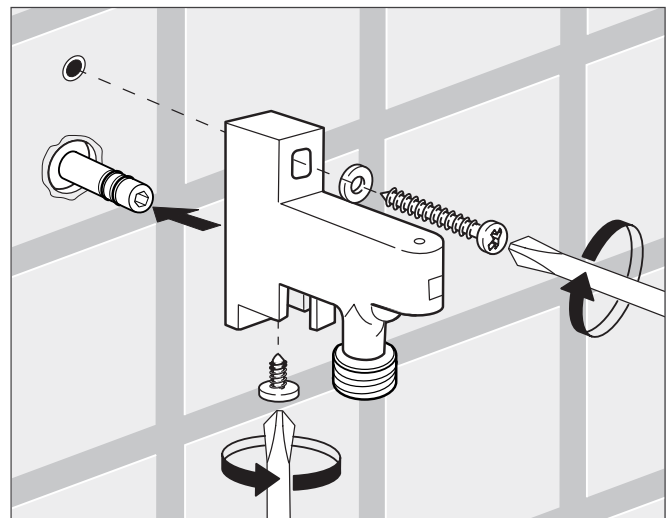


INSTALLATION PROCEDURE

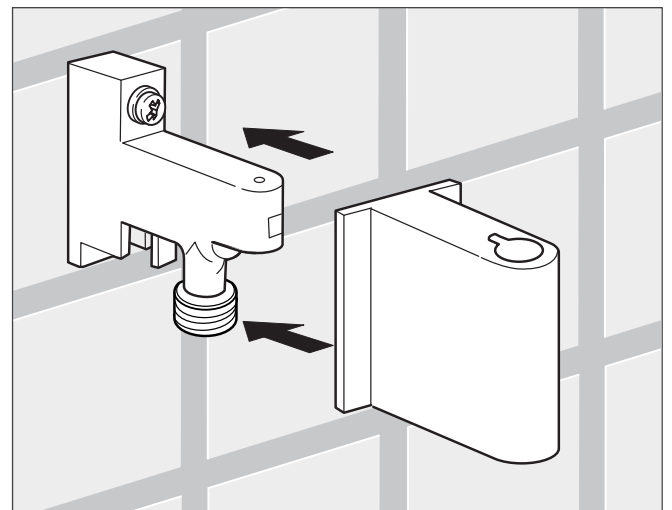
D) Ensure that the brass connector sticks out not less than 26mm [1.02"] and not more than 34mm [1.33"] from finished tile.



E) Slide internal wall elbow connection onto brass part and tighten the two screws as seen in the image on the right.

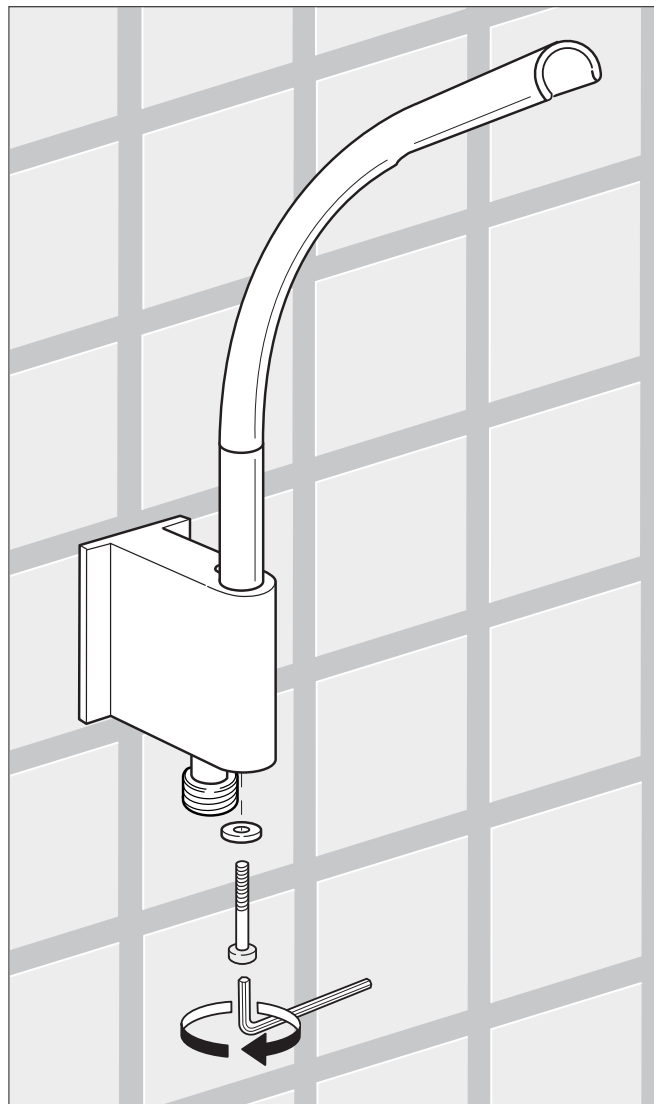
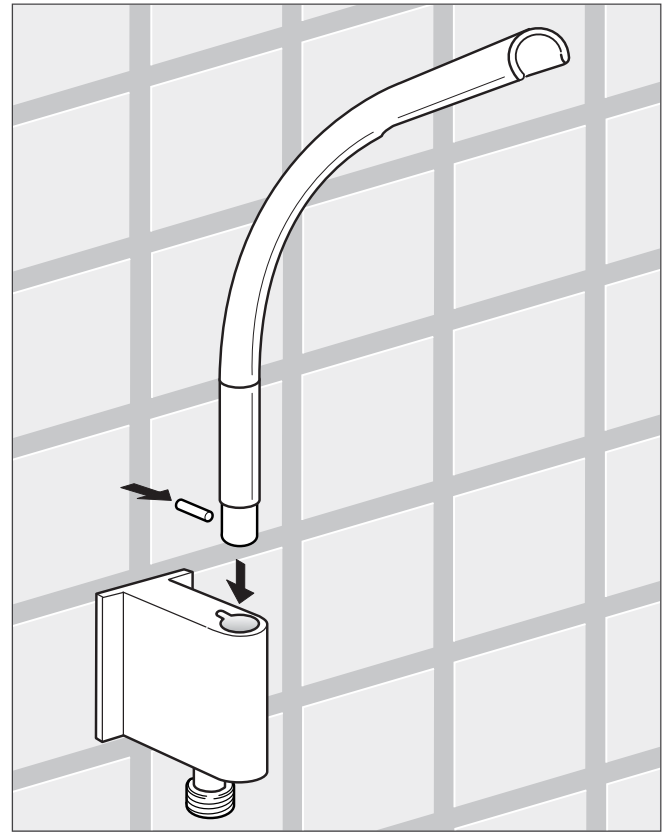


F) Insert decorative trim cover.



INSTALLATION PROCEDURE

G) Insert swivel shower arm using metal guide stick.

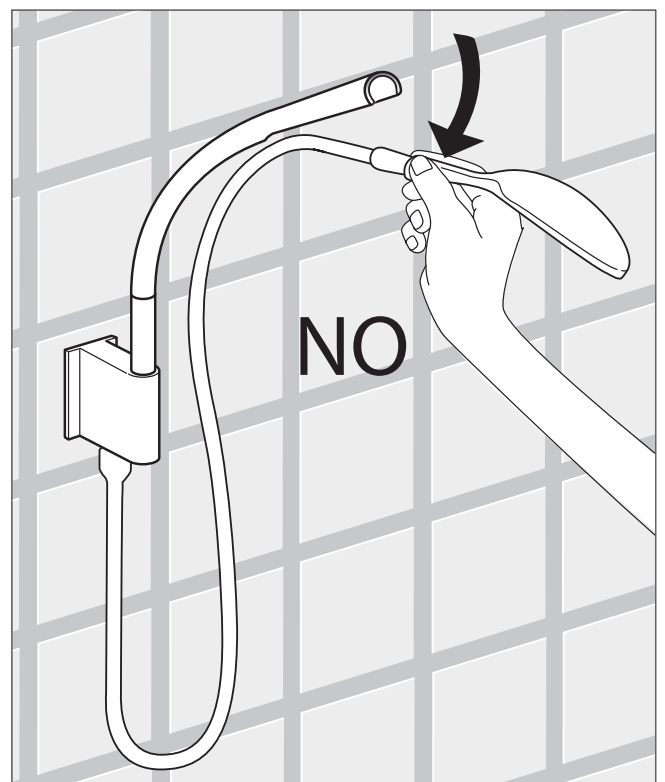
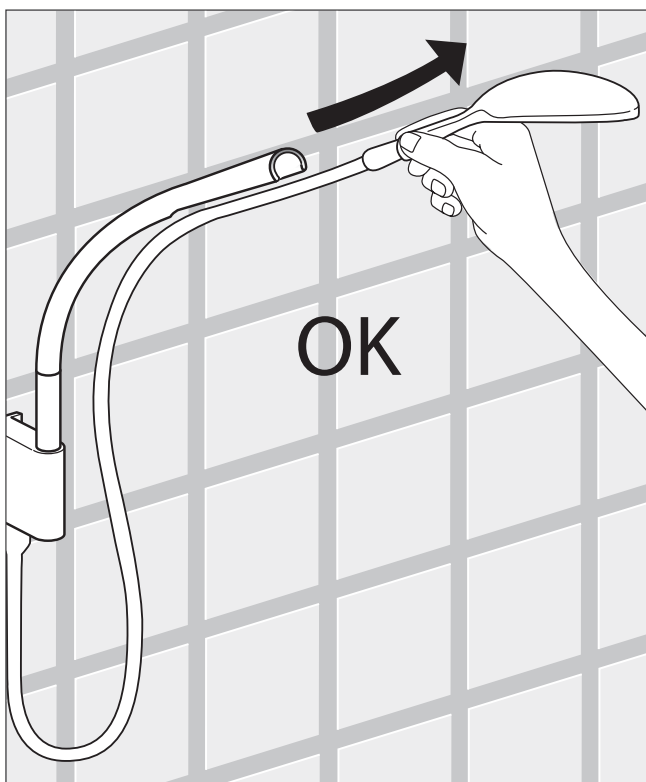
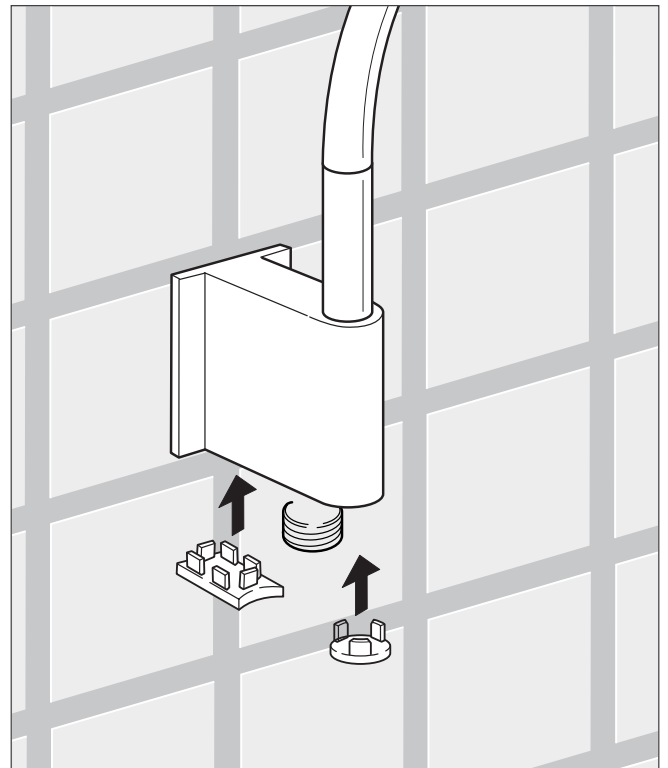


H) Tighten swivel shower arm using screw and washer provided.

INSTALLATION PROCEDURE

I) Insert decorative screw covers.

YOUR INSTALLATION IS NOW COMPLETE.



LIMITED LIFETIME WARRANTY CLAUSE:

Limited Warranty

Isenberg Bath Corp. ("Isenberg") products have been manufactured under the highest standards of quality and workmanship.

Isenberg warrants to the original consumer purchaser for as long as the original consumer purchaser owns their home (the "Warranty Period" for homeowners), that the Isenberg product that he/she has purchased will be leak- and drip-free during normal use and all parts and finishes of this product will be free from defects in material and manufacturing workmanship. All other purchasers (including purchasers for industrial, commercial and business use) are warranted for a period of 2 years from the original date of purchase (the "Warranty Period" for non-homeowners).

If the product should ever develop a leak or drip during the Warranty Period, Isenberg will provide the parts necessary to put the product back in good working condition FREE OF CHARGE and will replace any part or finish that proves defective in material and manufacturing workmanship FREE OF CHARGE, under normal installation, use and service.

This warranty is subject to the limitations of liability noted below.

Limitations of Liability

This warranty is applicable only to Isenberg products purchased after 1st January, 2011 and shall be effective from the date of purchase as shown on the purchaser's receipt. It applies only to Isenberg products purchased from Isenberg directly or from an Isenberg authorized dealer, and installed in the United States, Canada, or Mexico. This warranty is non-transferrable.

The following exceptions shall apply to the Warranty Period for homeowners: (1) special finishes (e.g., oil rubbed bronze finishes, two tone finishes, etc.) shall be limited to a period of 3 years from the original date of purchase; and (2) finishes on cover plates, bath accessories and kitchen hand sprays shall be limited to a period of 3 years from the original date of purchase. In addition, the Warranty Period for homeowners and non-homeowners for finishes on drain assemblies and aerators shall be limited to a period of 1 year from the original date of purchase.

This warranty is extensive in that it covers replacement of all defective parts and finishes, but these are the only two things that are covered. Damage due to installation error, product abuse, product misuse, or use of cleaners containing abrasives, alcohol or other organic solvents, whether performed by a contractor, service company, or you, are excluded from this warranty.

Further, this warranty will not apply if you do not use the product in its entirety. If any part (including but not limited to a cartridge, hose, handle, o-ring, aerator, flow limiting restrictor, etc.), is not installed, removed, or replaced by a non-genuine Isenberg part, this warranty will be voided.

Your sole and exclusive remedy, and Isenberg's sole obligation, in case of a defective part or finish is to have Isenberg, at Isenberg's sole option, repair or replace the defective part or finish. By way of example but not limitation, the following costs and expenses are not covered by this warranty: (i) labor costs for the removal, reinstallation, or refinishing of the product, or defective part (or of building materials which must be removed, reinstalled or refinished in order to repair or replace the defective product or part); (ii) shipping and freight expenses required to return product to Isenberg. Repaired or replaced parts are individually warranted only under the same terms and for the remaining balance of the warranty period applicable to that part(s) which is/are repaired or replaced.

IN NO EVENT, WILL ISENBERG BE LIABLE FOR INCIDENTAL, CONSEQUENTIAL, INDIRECT, SPECIAL, OR PUNITIVE DAMAGES INCLUDING, BUT NOT LIMITED TO, LABOR, REMOVAL, REINSTALLATION, REFINISHING, LOSS OF USE OF THE PRODUCT, LOSS OF PROFITS, LOSS OF REVENUE, LOST GOODWILL, CLAIMS OF EMOTIONAL DISTRESS, OR CLAIMS OF WARRANTY HOLDERS' CUSTOMERS, WHETHER BASED ON CONTRACT, WARRANTY, TORT (INCLUDING, BUT NOT LIMITED TO, STRICT LIABILITY OR NEGLIGENCE) OR OTHERWISE, EVEN IF ADVISED OF THE POSSIBILITY OF SUCH DAMAGES. SOME STATES DO NOT ALLOW THE EXCLUSION OR LIMITATION OF INCIDENTAL OR CONSEQUENTIAL DAMAGES, SO THE ABOVE LIMITATION OR EXCLUSION MAY NOT APPLY TO YOU. THIS WARRANTY GIVES YOU SPECIFIC LEGAL RIGHTS AND YOU MAY ALSO HAVE OTHER RIGHTS WHICH VARY FROM STATE TO STATE, AND PROVINCE TO PROVINCE. EVEN IF THIS WARRANTY IS DEEMED TO HAVE FAILED OF ITS ESSENTIAL PURPOSE, IN NO EVENT WILL ISENBERG'S ENTIRE LIABILITY EXCEED THE PURCHASE PRICE OF THE PRODUCT WARRANTED HEREUNDER.

THIS WARRANTY IS IN LIEU OF AND EXCLUDES ALL OTHER WARRANTIES NOT EXPRESSLY SET FORTH HEREIN, WHETHER EXPRESS OR IMPLIED, BY OPERATION OF LAW OR OTHERWISE, INCLUDING BUT NOT LIMITED TO ANY IMPLIED WARRANTIES OF MERCHANTABILITY OR FITNESS FOR A PARTICULAR PURPOSE. TO THE EXTENT THAT ANY IMPLIED WARRANTIES MAY NONETHELESS EXIST BY OPERATION OF LAW, ANY SUCH WARRANTIES ARE LIMITED TO THE DURATION PROVIDED BY THAT LAW. SOME STATES/PROVINCES DO NOT ALLOW LIMITATIONS ON HOW LONG AN IMPLIED WARRANTY LASTS, SO THE ABOVE LIMITATIONS MAY NOT APPLY TO YOU.

Compliance with Local Codes

Isenberg makes no representations that its products or its installation instructions comply with any or all local building or plumbing codes. It is your responsibility to determine local code compliance and correct usage. Isenberg strongly recommends using a licensed and insured plumber to install or service your Isenberg product.