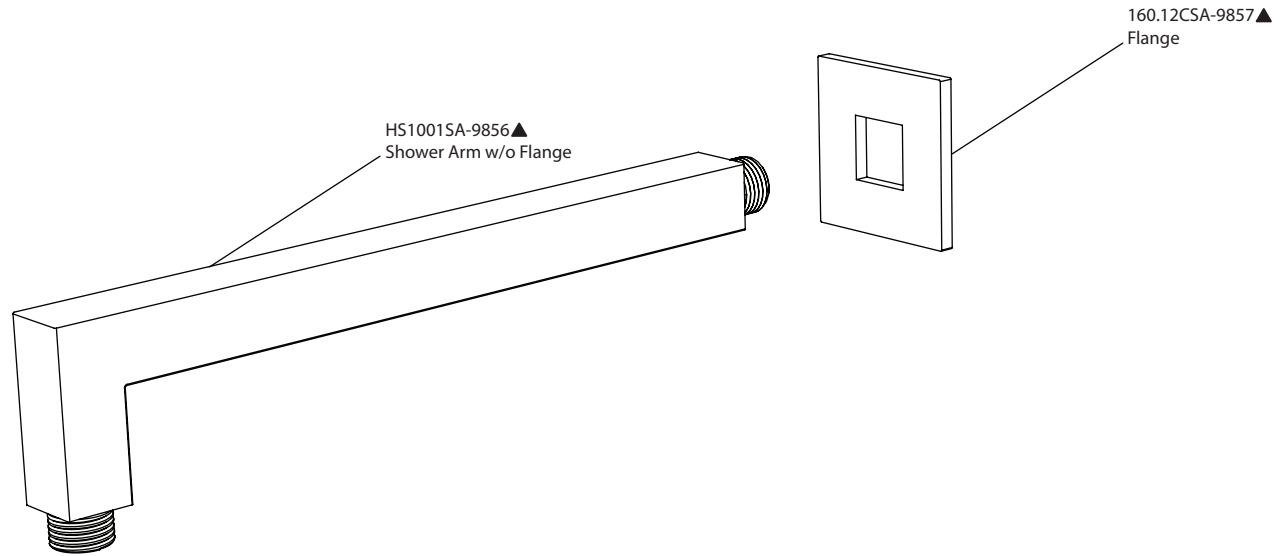


# Product Parts Breakdown

▲ Specify Finish



**isenberg**  
innovation+design

HS1001SA

Ver 2.53