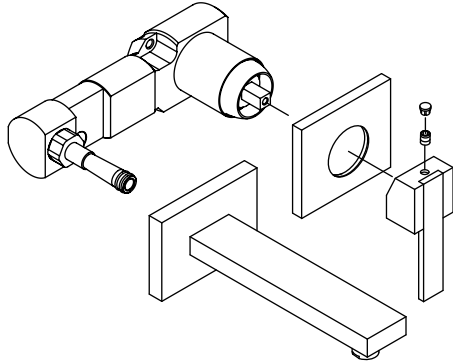


**150.1800 | Single Lever Wall Mount Basin Faucet**



**SPECIFICATIONS:**

- Solid Brass construction - includes valve
- Wall Mount Installation
- 1.5 GPM Flow Rate @ 60 PSI (1.2 GPM For California)
- Ceramic disc cartridge allows both volume and temperature control
- Extension Available - 160.1800E\*\*

**FAST SHIP FINISHES :**

- Chrome - 150.1800CP

**STANDARDS:**

- ASME A112.18.1 / CSA B125.1, NSF-61

LowFlow Capable



Legislation Compliance



Low Lead Compliant



ZeroDrip Technology



**Technical Diagram**

