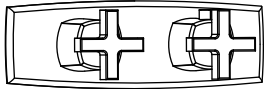
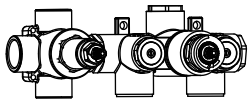


**240.2705 | 3/4" Thermostatic Valve With 3-Way Diverter & Integrated Volume Control**



+



**SPECIFICATIONS:**

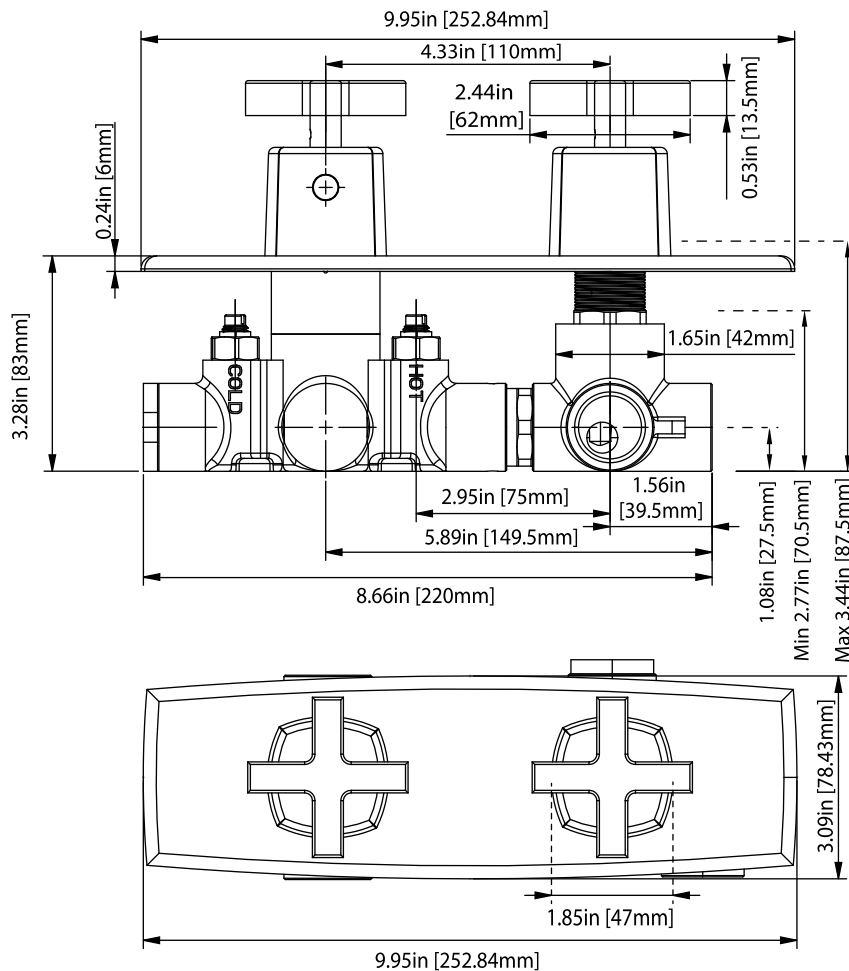
- Turn right knob to control temperature.
- Turn left knob to control water flow.
- Thermostatic Valve Flow Rate - 8.0 GPM @ 60 PSI
- Extension Available - TVH.4101E\*\*
- 3 Output

**STANDARDS:**

- ASME A112.18.1 / CSA B125.1

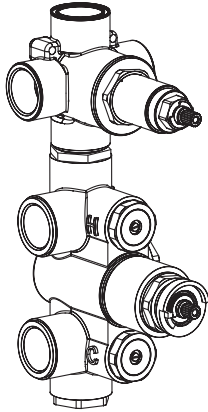
Valve [TVH.2705F] + Trim [240.2693T\*\*]

**Technical Diagram**



TVH.2705F | 3/4" Thermostatic Valve With 3-Way Diverter & Integrated Volume Control

Page 1 of 2



**SPECIFICATIONS:**

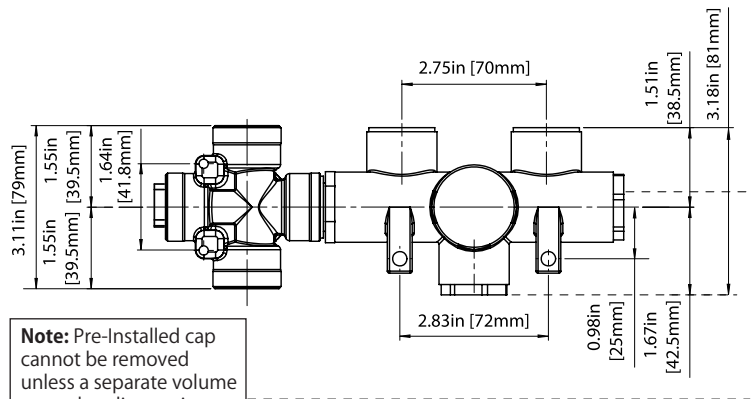
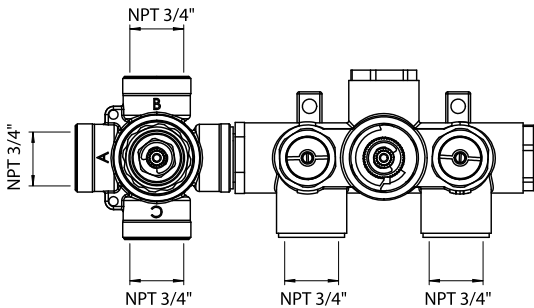
- Turn bottom knob to control temperature.
- Turn top knob to control water flow.
- Thermostatic Valve Flow Rate - 8.0 GPM @ 60 PSI
- Extension Available - TVH.4101E\*\*

**STANDARDS:**

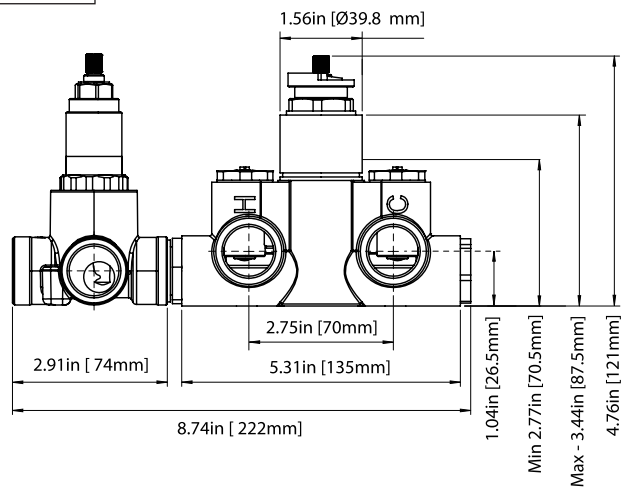
- ASME A112.18.1 / CSA B125.1

**!** A separate volume control is **not** needed to turn water supply off. Volume control functionality is integrated within this valve.

**Technical Diagram**



**Note:** Pre-Installed cap cannot be removed unless a separate volume control or diverter is used



**TVH.2705F | 3/4" Thermostatic Valve With 3-Way Diverter & Integrated Volume Control** Page 2 of 2

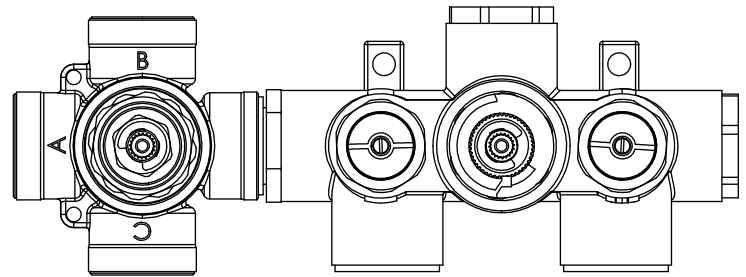


**THREE OUPUT - CAL-GREEN - NO SHARED PORT OPERATION**

Diverter Cartridge # - **15100** (Included)

Total 6 Positions as defined below, with **only** 1 port active at one time.

- Position 0 - Off - No Water Flow
- Position 1 - Output B Activated
- Position 2 - Off - No Water Flow
- Position 3 - Output A Activated
- Position 4 - Off - No Water Flow
- Position 5 - Output C Activated



**THREE OUPUT - SHARED PORT OPERATION**

Diverter Cartridge # - **15200** (Not Included)

Total 6 Positions as defined below, with 2 ports active at one time.

- Position 0 - Off - No Water Flow
- Position 1 - Output B Activated
- Position 2 - Output B+A Activated
- Position 3 - Output A Activated
- Position 4 - Output C+A Activated
- Position 5 - Output C Activated