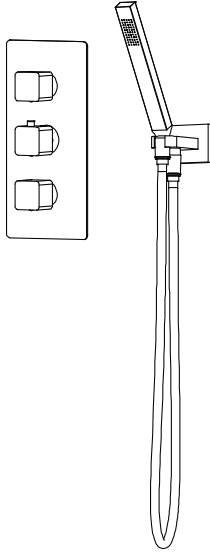


196.7150 | Two Output Shower W/ Rain Head & Hand Held



COMPONENTS

- HS1060 - 16" Shower Arm
- HSB.12C - 12" Shower Head
- 196.4401T - Shower Trim
- TVH.4401 - Shower Valve
- HS1003 - Hand Held Set

SHOWER VALVE:

- Thermostatic shower valve
- Valve includes service stops
- Bottom handle controls handheld
- Top handle controls shower head
- Middle handle controls temperature
- Shared port operation

SHOWER HEAD:

- Solid brass construction
- 1.8 GPM flow rate

HAND HELD:

- Solid Brass construction
- 1.8 GPM flow rate
- With back flow prevention check valve

STANDARDS:

- ASME A112.18.1 / CSA B125.1

See individual component specification sheets on following pages for further details.



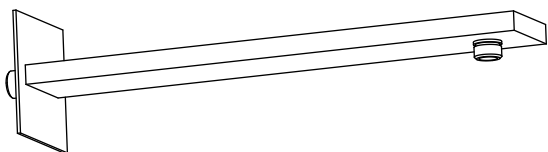
HS1060 | Square Shower Arm - 16"

SPECIFICATIONS:

- Solid Brass Shower Arm
- With Fixed Flange

FINISHES :

- Chrome - HS1060CP / Brushed Nickel - HS1060BN



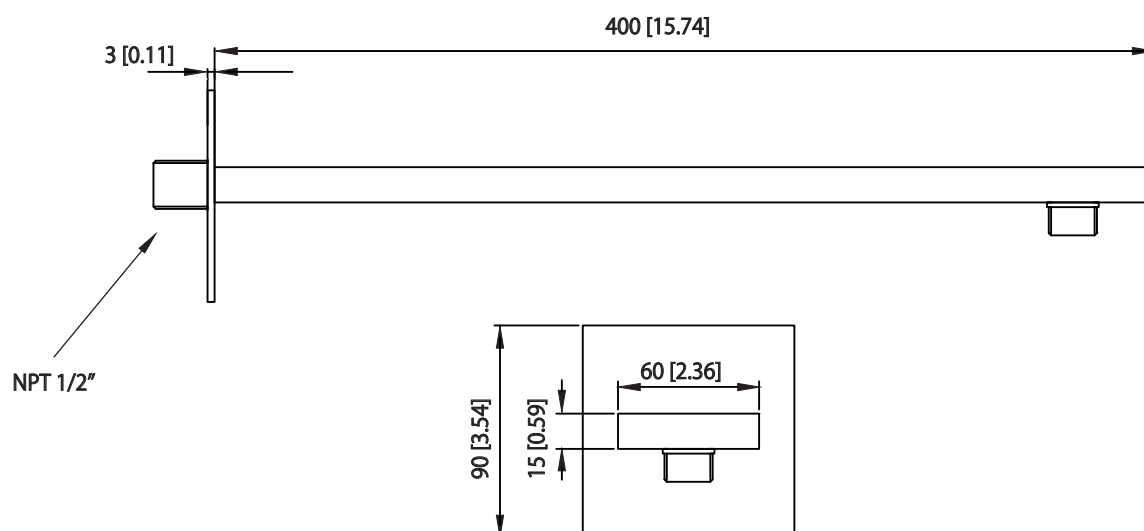
Legislation Compliance



ZeroDrip Technology



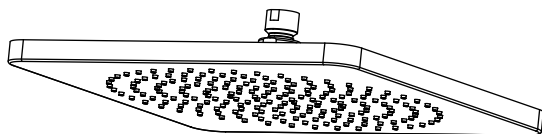
Technical Diagram



HSB.12C | 12" Brass Shower Head

SPECIFICATIONS:

- Solid Brass Shower Head
- Scrub rubber nozzles to easily clean water sediment
- 1.8 GPM Flow Rate
- 196 Nozzles



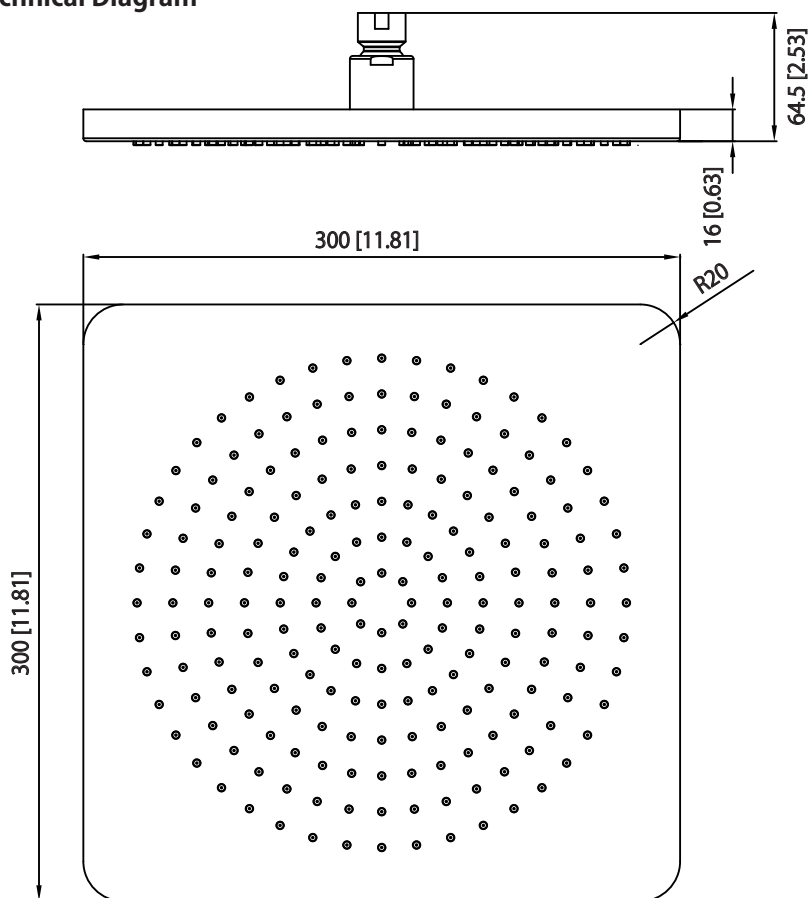
Legislation Compliance



ZeroDrip Technology

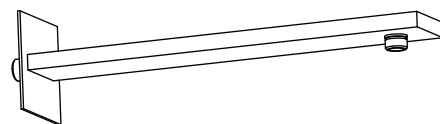


Technical Diagram



MATCHING SHOWER ARM:

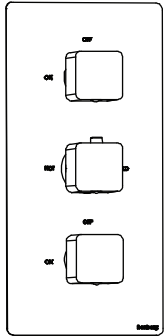
- 1) HS1060 (16" Wall Mount Shower Arm)



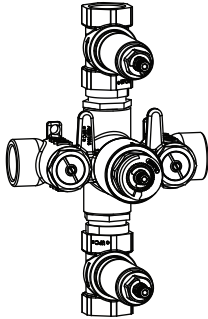


196.4401 | 3/4" Thermostatic Valve With 2 Independent Volume Controls

SPECIFICATIONS:



Trim
[196.4401T**]



Valve
[TVH.4401]

- Turn middle knob to control temperature.
- Turn top knob to control water flow from top output.
- Turn bottom to control water flow from bottom output.
- Thermostatic Valve Flow Rate - 13.0 GPM @ 60 PSI
- Both outputs can be activated at once.
- Extension Available - TVH.4401E**

Belgian Mirror Finish



Legislation Compliance

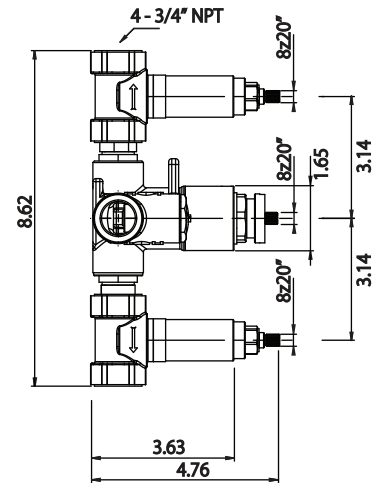
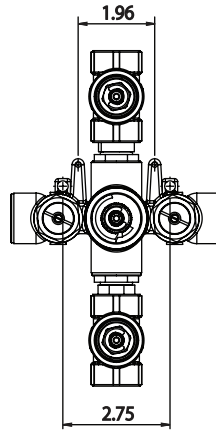
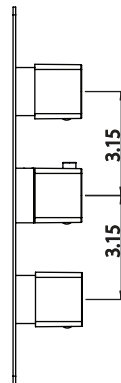
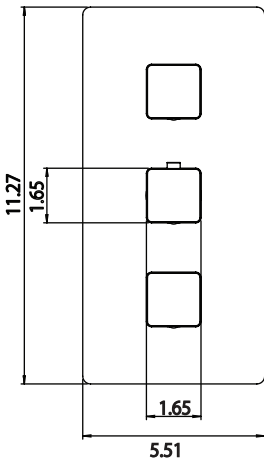


ZeroDrip Technology

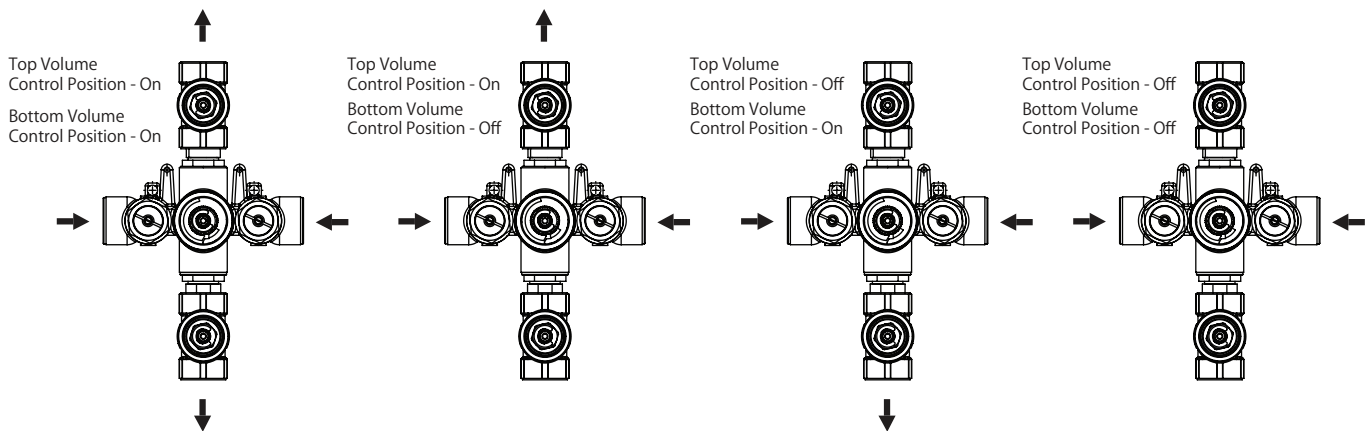


See Spec Sheet For
TVH.4401 For Detailed
Information On Valve.

Technical Diagram



Water Diversion Diagram



TVH.4401 | 3/4" Thermostatic Valve With 2 Independent Volume Controls Page 1 of 2



SPECIFICATIONS:

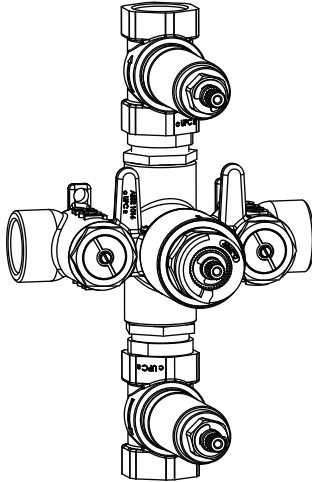
- Turn middle knob to control temperature.
- Turn top knob to control water flow from top output.
- Turn bottom to control water flow from bottom output.
- Thermostatic Valve Flow Rate - 13.0 GPM @ 60 PSI

STANDARDS:

- ASME A112.18.1 / CSA B125.1

WARRANTY:

- Limited lifetime warranty to the original consumer purchaser against finish and workmanship



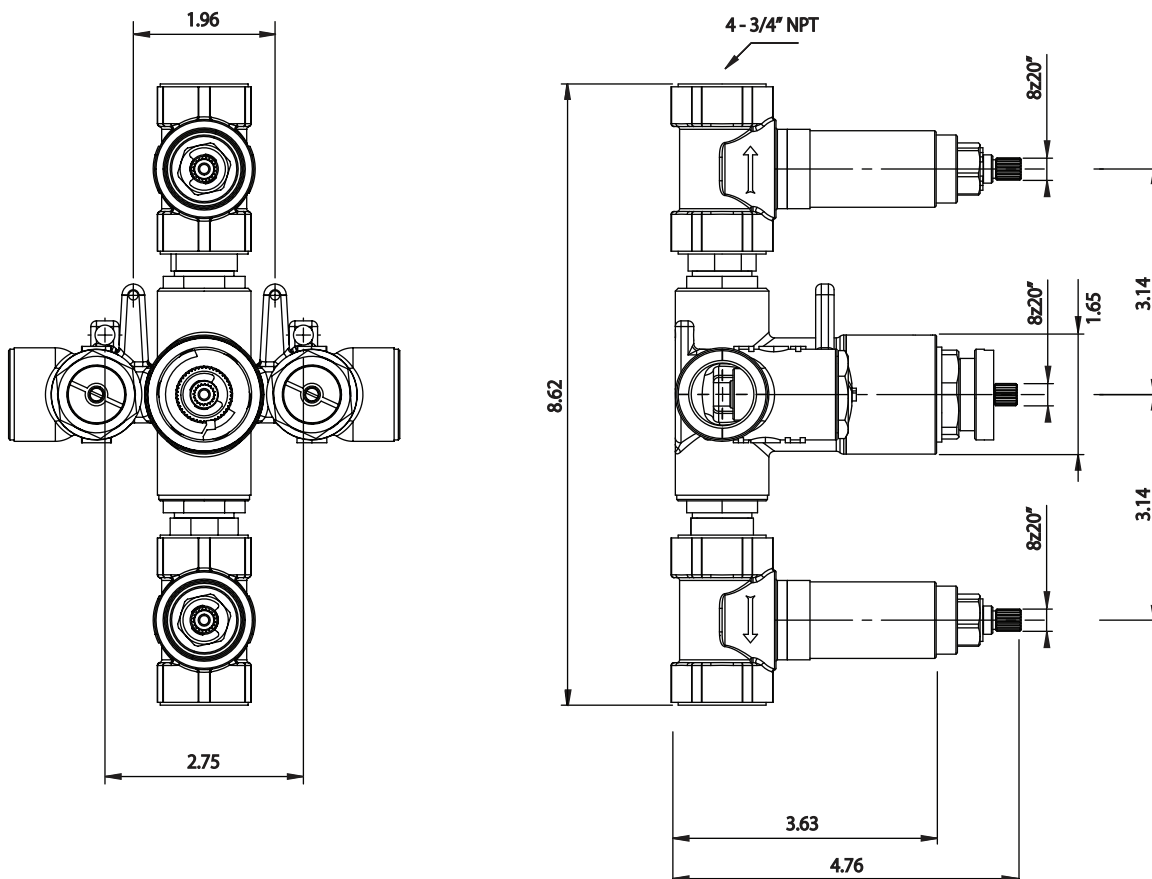
Legislation Compliance



ZeroDrip Technology



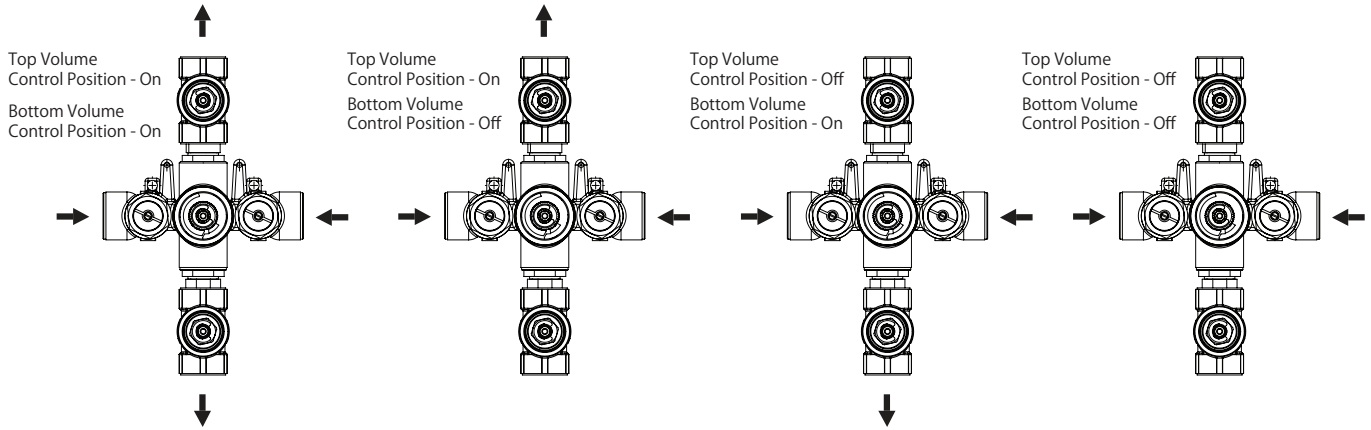
Technical Diagram



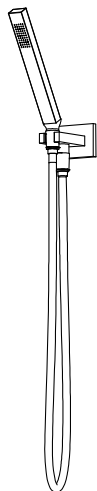
TVH.4401 | 3/4" Thermostatic Valve With 2 Independent Volume Controls Page 2 of 2



Water Flow Diagram



HS1003 | Solid Brass Hand Shower Set



SPECIFICATIONS:

- Solid Brass construction
- Single function hand held
- 1/2" female elbow connection
- Includes check valve with back-flow prevention
- 1.8 GPM Flow Rate

Legislation Compliance



ZeroDrip Technology



Technical Diagram

