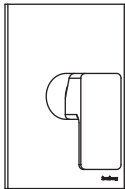


196.3000 | Single Output Shower W/ Shower Head & Arm



COMPONENTS

- HS1030 - 7 Shower Arm
- 200.6131 - 5 Function Head
- 196.2200T - Shower Trim
- PBV.1005AS - Shower Valve

SHOWER VALVE:

- Pressure balance shower valve
- Valve includes service stops
- Lift handle to control volume
- Turn left for hot, right for cold

SHOWER HEAD:

- 5 function ABS construction
- 1.8 GPM flow rate

STANDARDS:

- ASME A112.18.1/CSA B125.1

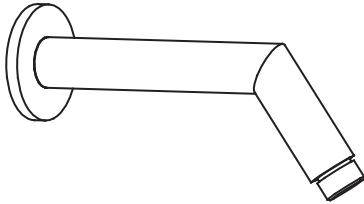
See individual component specification sheets on following pages for further details.

HS1030 | Round Shower Arm

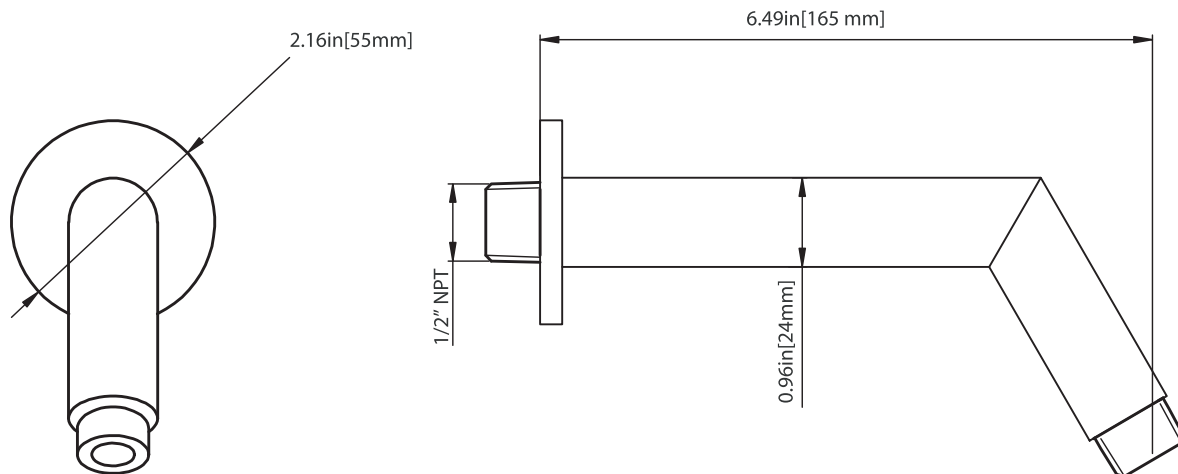


SPECIFICATIONS:

- Solid Brass Shower Arm
- With Brass Flange



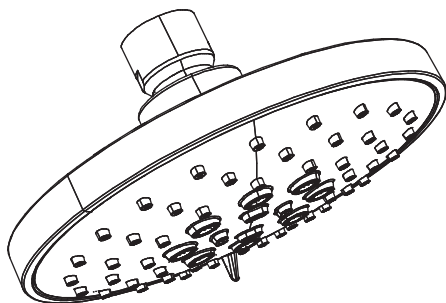
Technical Diagram



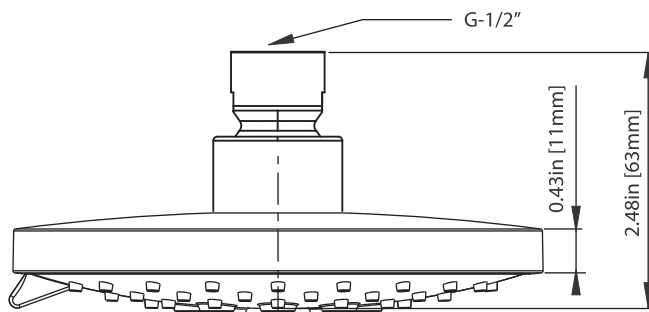
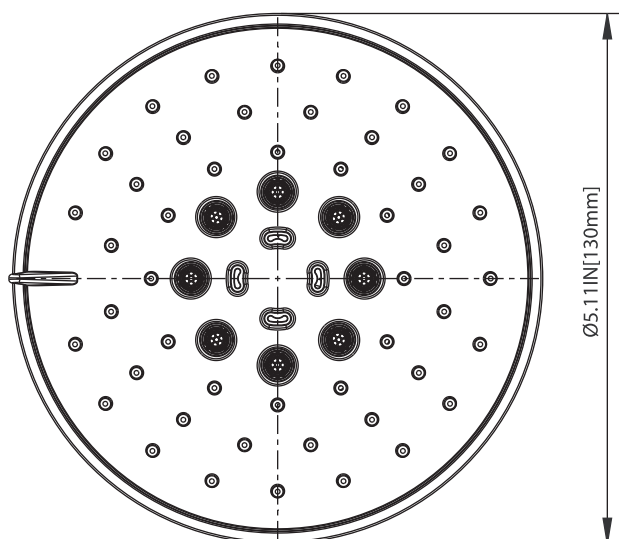
200.6131 | 130mm 5-Function Shower Head

SPECIFICATIONS:

- ABS Shower Head
- 3 Unique Functions, 2 Shared Functions, 5 Total Functions
- Scrub rubber nozzles to easily clean water sediment
- 1.8 GPM Flow Rate



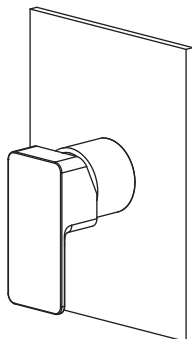
Technical Diagram



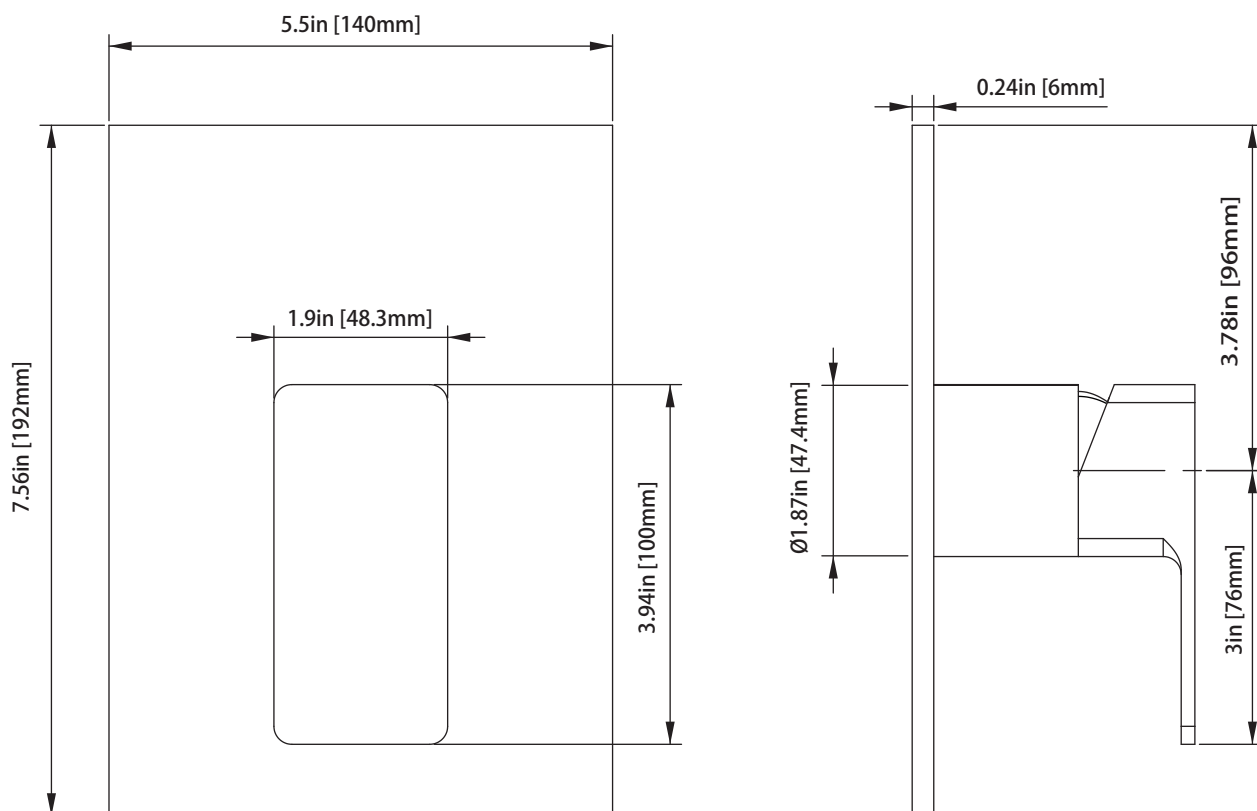
196.2200T | Shower Trim

SPECIFICATIONS:

- Solid Brass Trim & Handle set
- Valve not included - trim only
- Lift Handle to control volume. Turn left for hot, right for cold.



Technical Diagram



PBV1005AS | Single Control Pressure Balance Valve Page 1 of 2

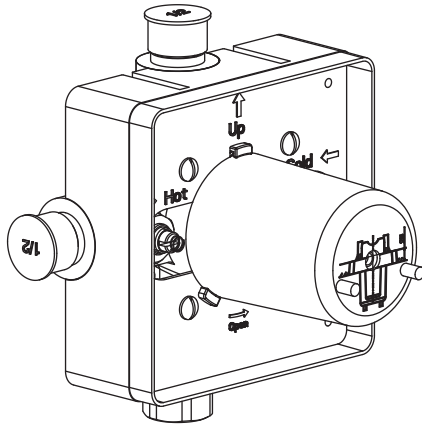


SPECIFICATIONS:

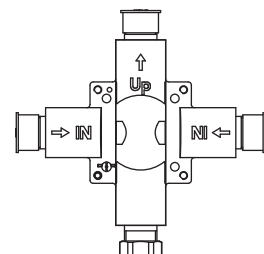
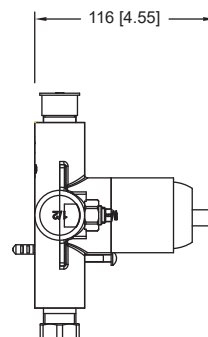
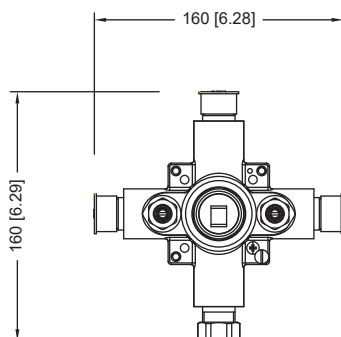
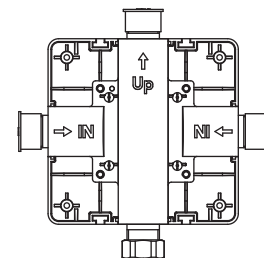
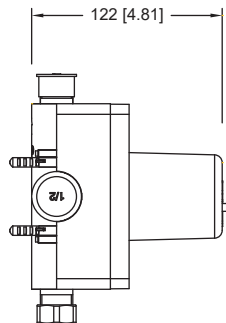
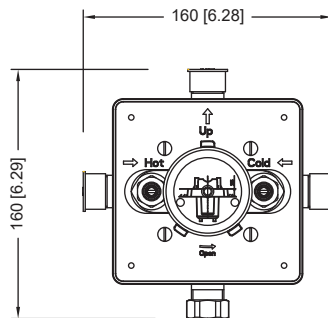
- Lift Handle to control volume. Turn left for hot, right for cold.
- Pressure Balance Valve Flow Rate - 5.5 GPM @ 60 PSI
- Extension Available - PBV.E185**

STANDARDS:

- ASME A112.18.1 / CSA B125.1



Technical Diagram



PBV1005AS | Single Control Pressure Balance Valve Page 2 of 2



Water Flow Diagram

