

180.2200 | 1-way Shower Trim Set With Pressure Balance Valve

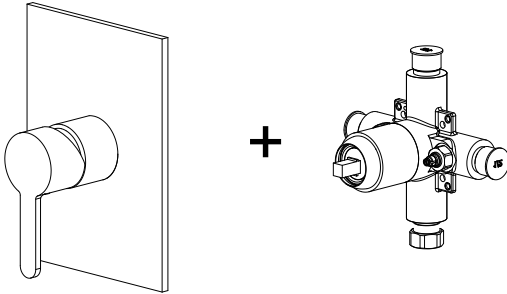


SPECIFICATIONS:

- Solid Brass Trim & Handle set
- Includes Pressure balance valve (PBV1005AS**) w/ service stops
- Lift Handle to control volume. Turn left for hot, right for cold.
- All Parts replaceable from front of valve
- Pressure Balance Valve Flow Rate - 5.5 GPM @ 60 PSI
- Extension Available - PBV.E185**

STANDARDS:

- ASME A112.18.1 / CSA B125.1



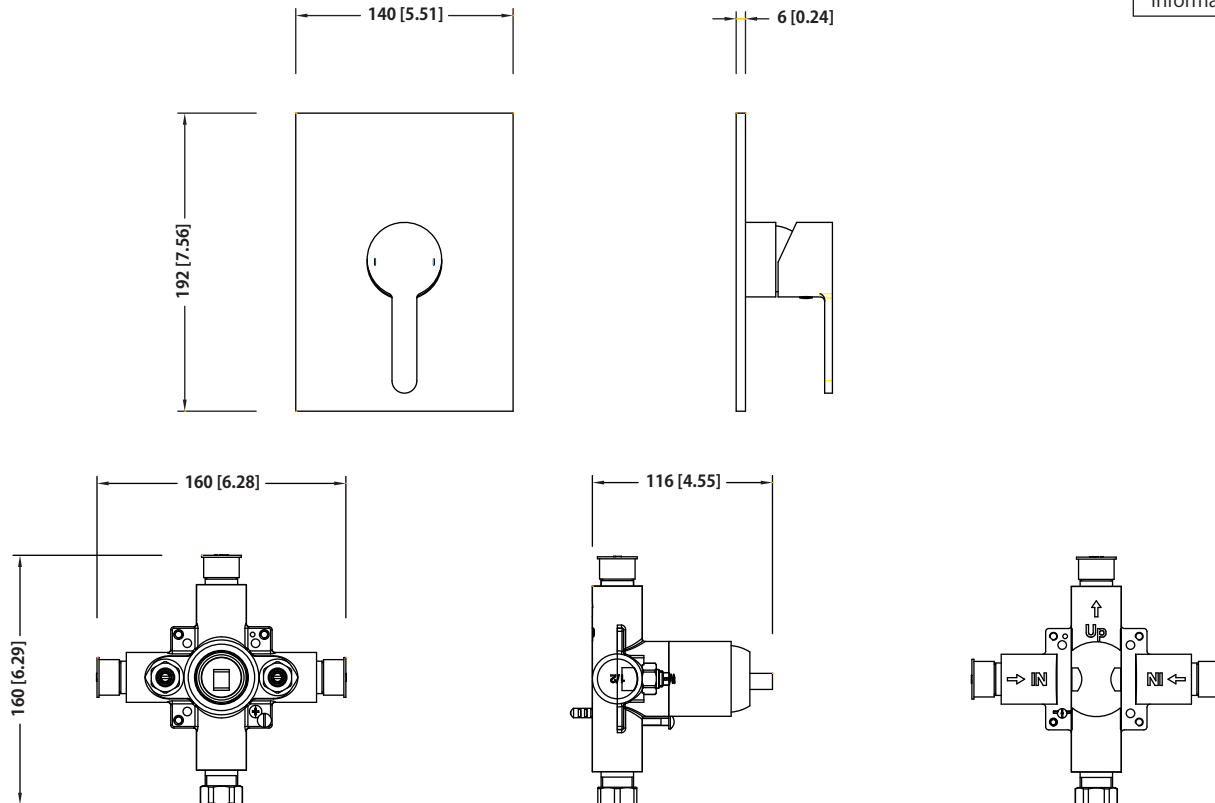
Trim
[180.2200T**]

Valve
[PBV1005AS**]

** Denotes Finish (CP Or BN)

Technical Diagram

See Spec Sheet For
PBV1005AS For Detailed
Information On Valve.



PBV1005AS | Single Control Pressure Balance Valve Page 1 of 2

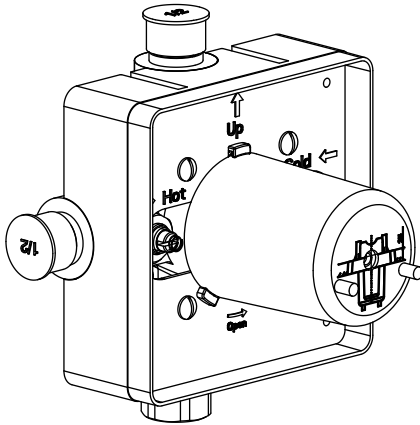


SPECIFICATIONS:

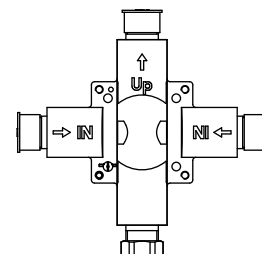
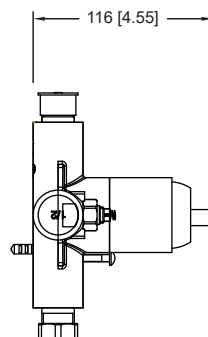
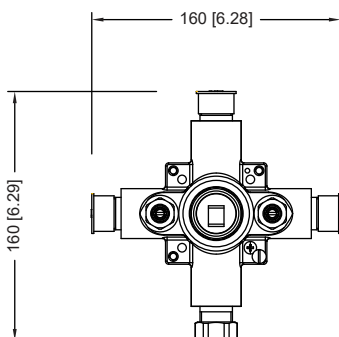
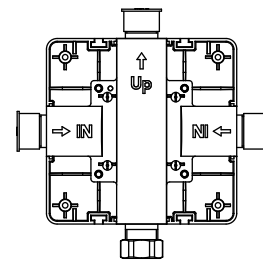
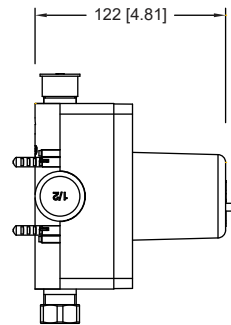
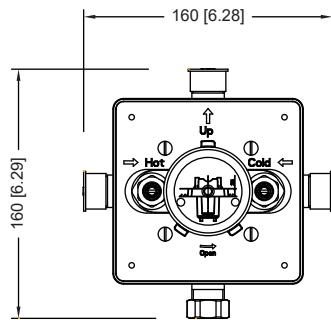
- Lift Handle to control volume. Turn left for hot, right for cold.
- Pressure Balance Valve Flow Rate - 5.5 GPM @ 60 PSI
- Extension Available - PBV.E185**

STANDARDS:

- ASME A112.18.1 / CSA B125.1



Technical Diagram



PBV1005AS | Single Control Pressure Balance Valve Page 2 of 2



Water Flow Diagram

