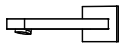
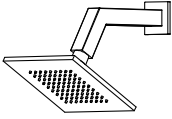


160.3200 | Two Output Shower W/ Shower Head & Tub Spout



**COMPONENTS**

- HS1020 - 7" Shower Arm
- HSB.6S - 6" Shower Head
- 160.2101T - Shower Trim
- PBV.1005A - Shower Valve
- 160.2300 - Tub Spout

**SHOWER VALVE:**

- Pressure balance shower valve
- Valve includes service stops
- Lift bottom handle to control volume
- Turn left for hot, right for cold.
- Top handle controls water diversion
- 1/2" NPT

**SHOWER HEAD:**

- Single function
- Solid brass construction
- 1.8 GPM flow rate

**TUB SPOUT:**

- Solid Brass construction
- 1/2" female NPT connection

**STANDARDS:**

- ASME A112.18.1 / CSA B125.1

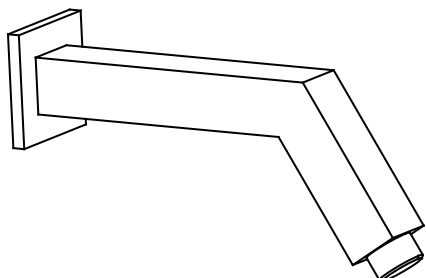
See individual component specification sheets on following pages for further details.

HS1020 | Square Shower Arm

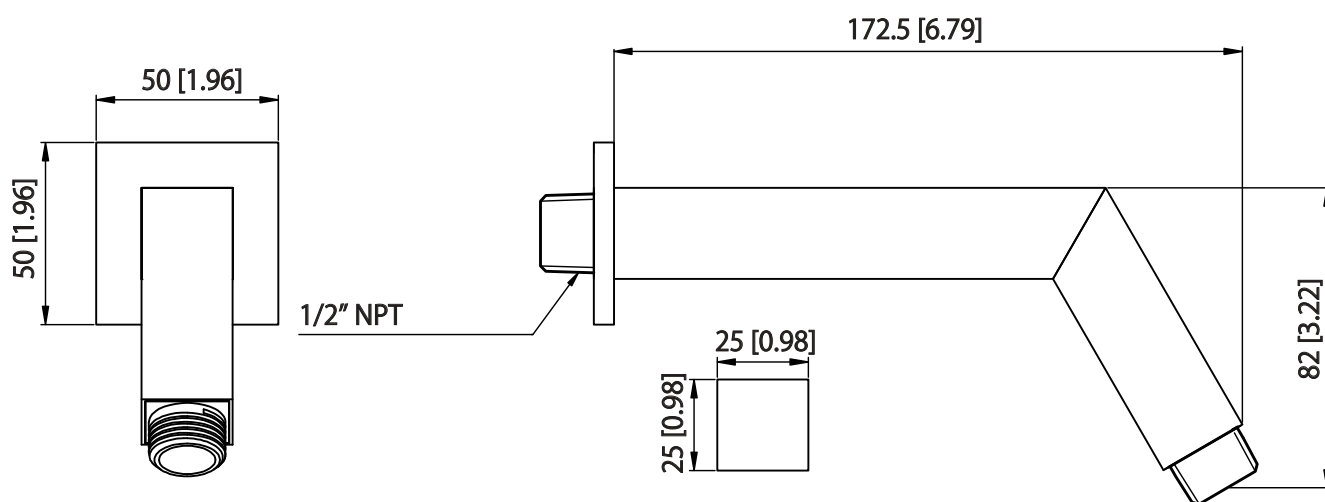


SPECIFICATIONS:

- Solid Brass Shower Arm
- With Sliding Flange



Technical Diagram

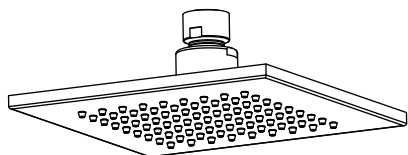


HSB.6S | 6" Brass Shower Head

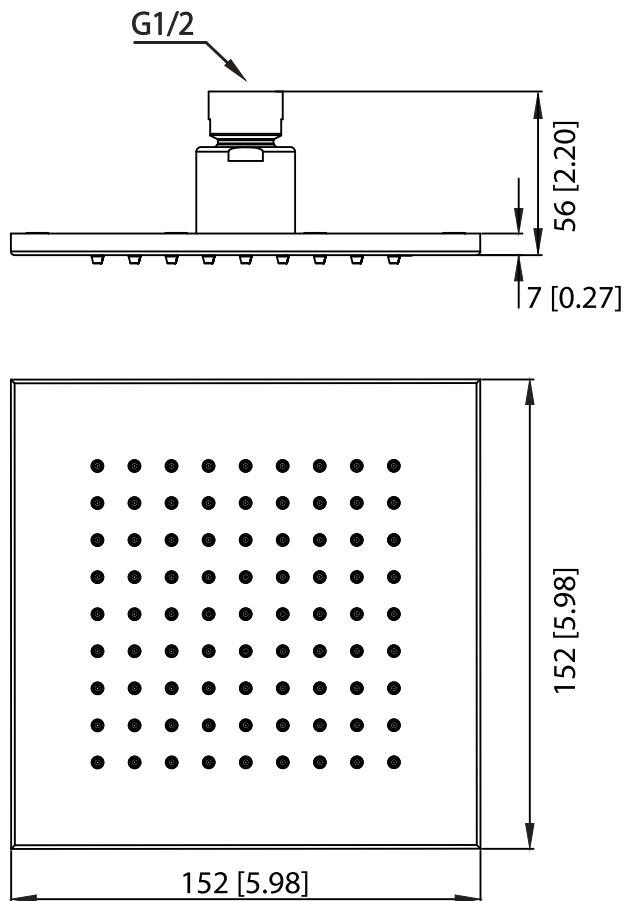


SPECIFICATIONS:

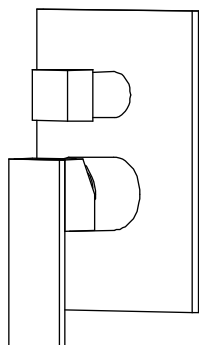
- Solid Brass Shower Head
- Scrub rubber nozzles to easily clean water sediment
- 1.8 GPM Flow Rate
- 81 Nozzles
- Use with HS1020 Shower Arm



Technical Diagram



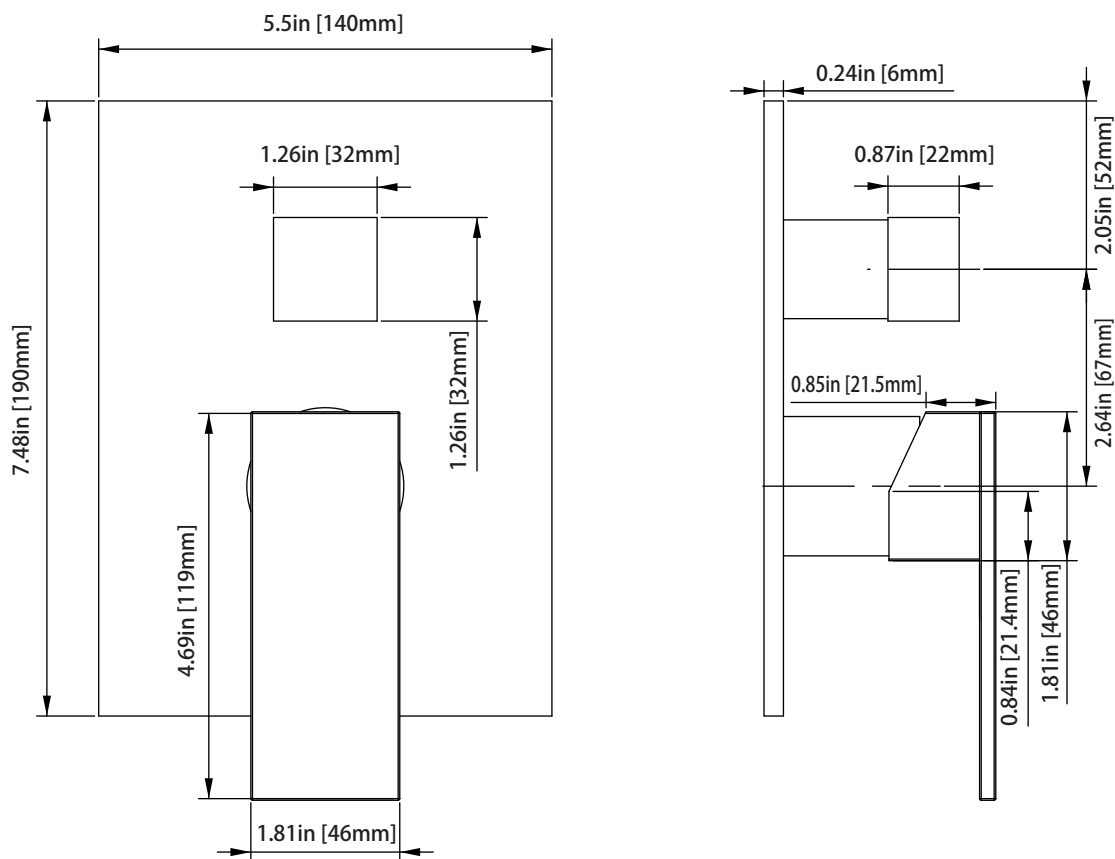
160.2101T | Tub / Shower Trim



SPECIFICATIONS:

- Solid Brass Construction
- Valve not included - trim only
- Lift Handle to control volume. Turn left for hot, right for cold.
- Small knob controls 2-way water diversion

Technical Diagram



PBV1005A | Pressure Balance Valve With Integrated 2-Way Diverter Page 1 of 2

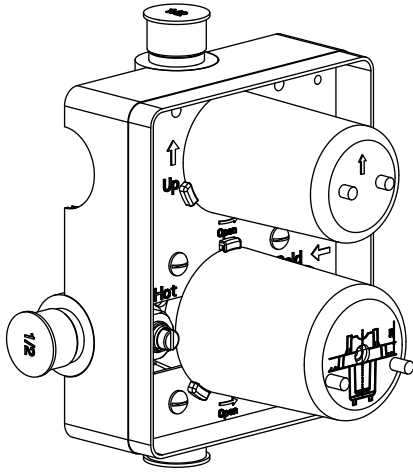


**SPECIFICATIONS:**

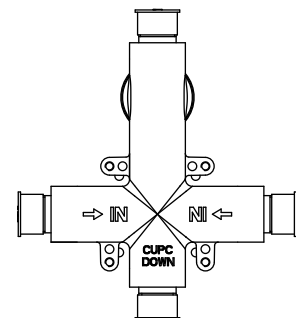
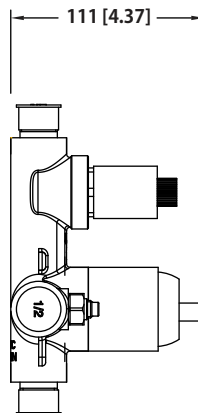
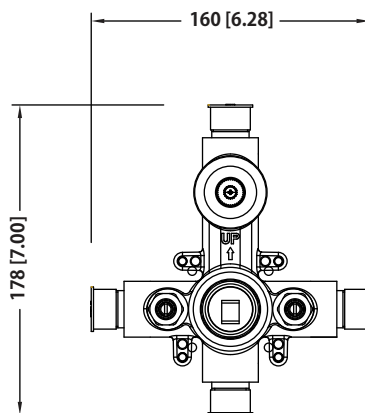
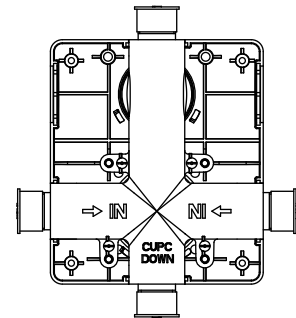
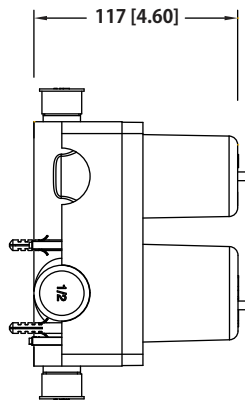
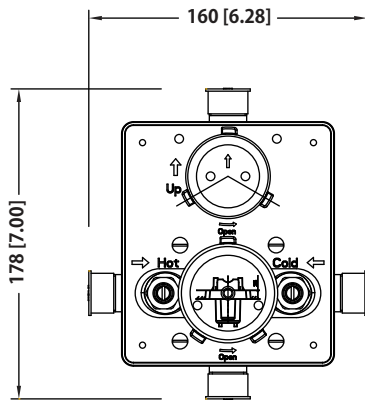
- Lift Handle to control volume. Turn left for hot, right for cold.
- Knob controls 2-way water diversion - shared output.
- Pressure Balance Valve Flow Rate - 5.5 GPM @ 60 PSI
- Extension Available - PBV.2100E\*\*

**STANDARDS:**

- ASME A112.18.1 / CSA B125.1

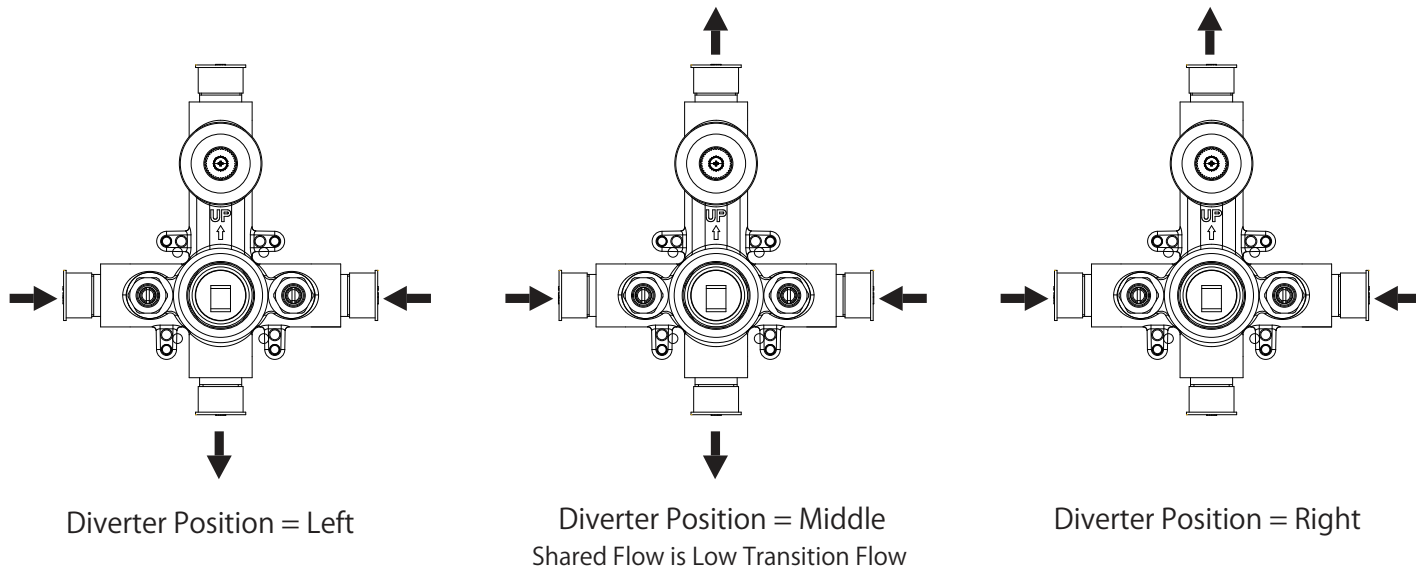


**Technical Diagram**





Water Diversion Diagram



160.2300 | Tub Spout / Filler

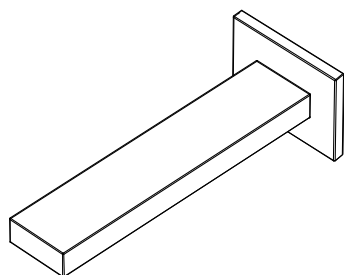


SPECIFICATIONS:

- Solid Brass Construction
- 1/2" Female NPT Connection
- Flow Rate: 7.5 GPM @ 60 PSI

STANDARDS:

- ASME A112.18.1 / CSA B125.1



Technical Diagram

