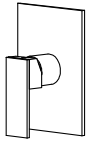
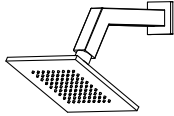


160.3050 | Single Output Shower W/ Shower Head & Arm



**COMPONENTS**

- HS1020 - 7" Shower Arm
- HSB.6S - 6" Shower Head
- 160.2201T - Shower Trim
- PBV.1005AS - Shower Valve

**SHOWER VALVE:**

- Pressure balance shower valve
- Valve includes service stops
- Lift handle to control volume
- Turn left for hot, right for cold.

**SHOWER HEAD:**

- Single function
- Solid brass construction
- 1.8 GPM flow rate

**STANDARDS:**

- ASME A112.18.1 / CSA B125.1

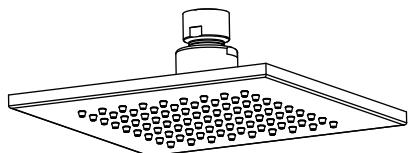
See individual component specification sheets on following pages for further details.

HSB.6S | 6" Brass Shower Head

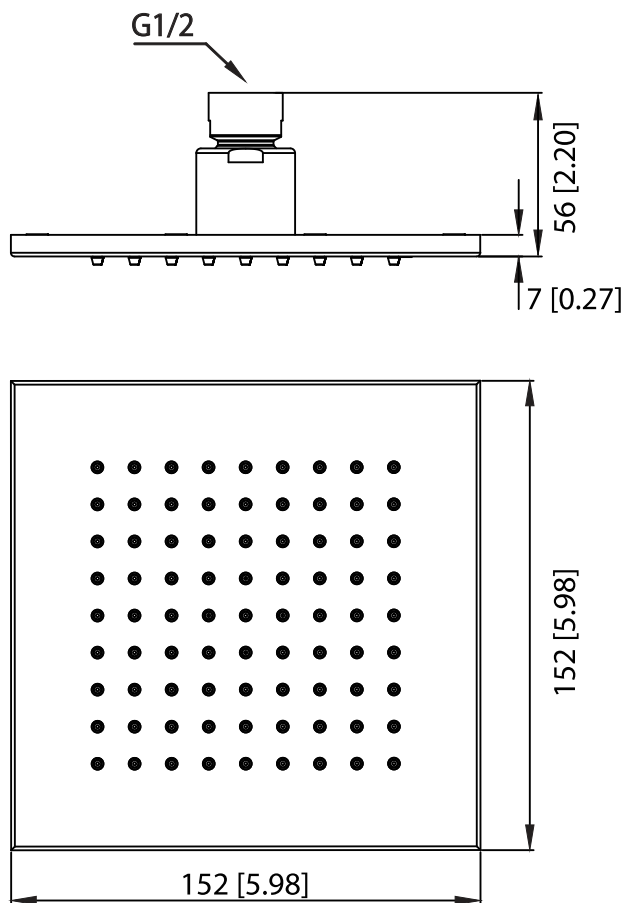


SPECIFICATIONS:

- Solid Brass Shower Head
- Scrub rubber nozzles to easily clean water sediment
- 1.8 GPM Flow Rate
- 81 Nozzles
- Use with HS1020 Shower Arm



Technical Diagram

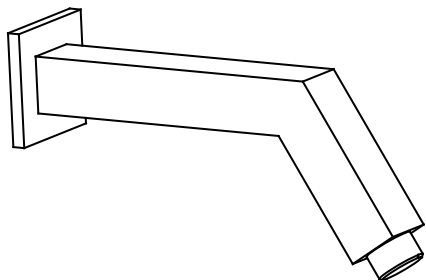


HS1020 | Square Shower Arm

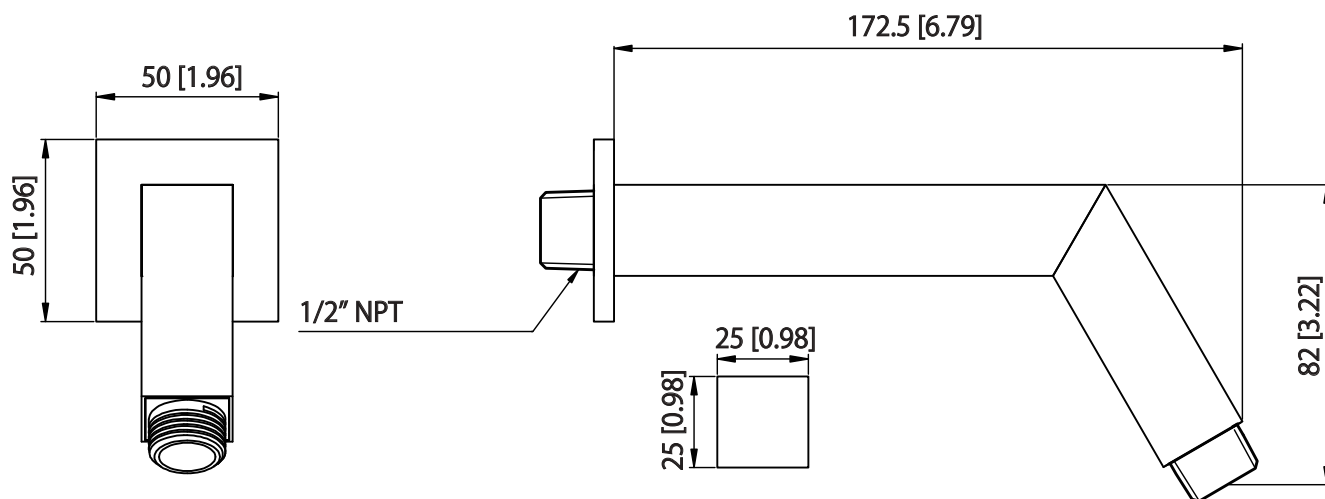


SPECIFICATIONS:

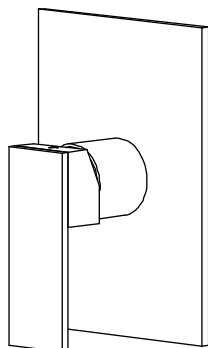
- Solid Brass Shower Arm
- With Sliding Flange



Technical Diagram



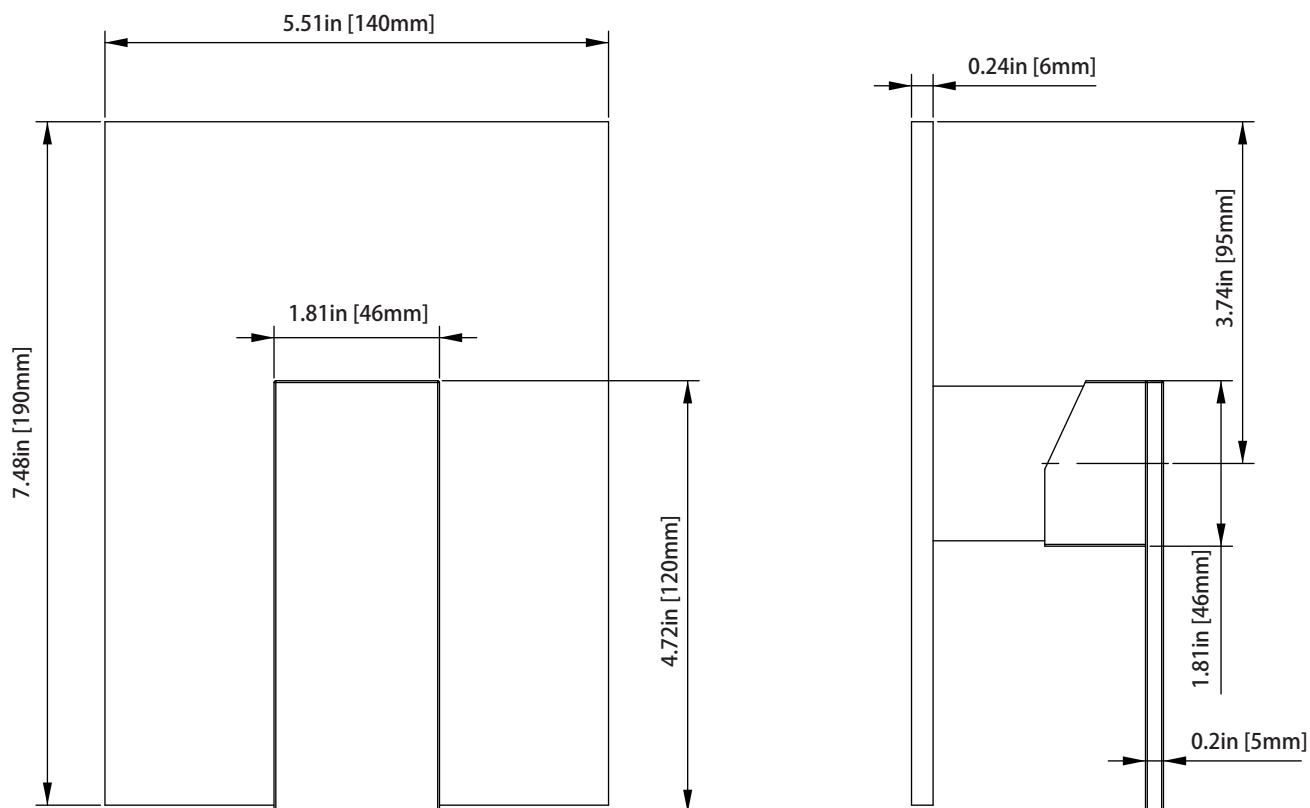
160.2201T | Shower Trim



**SPECIFICATIONS:**

- Solid Brass Trim & Handle set
- Valve not included - trim only
- Lift Handle to control volume. Turn left for hot, right for cold.

**Technical Diagram**



PBV1005AS | Single Control Pressure Balance Valve Page 1 of 2

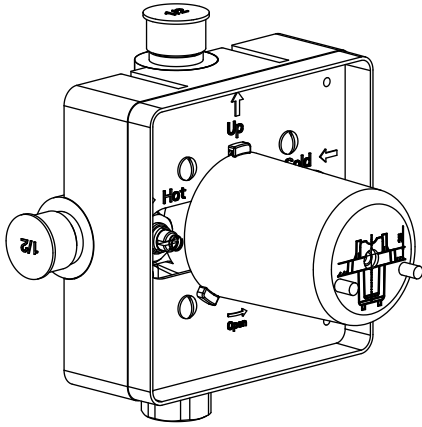


**SPECIFICATIONS:**

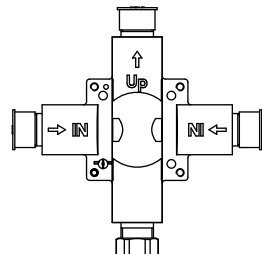
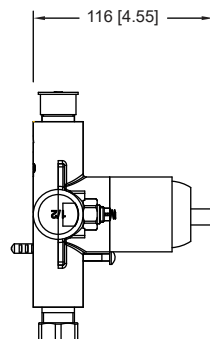
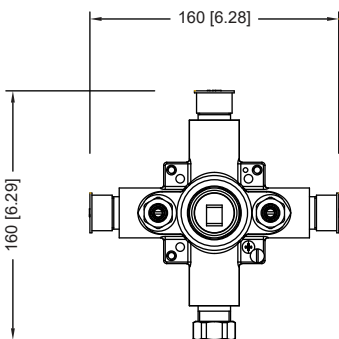
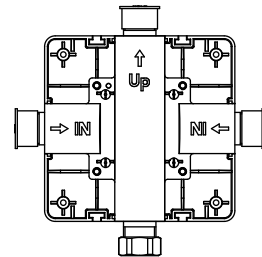
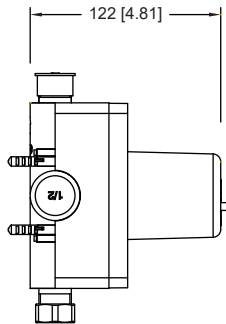
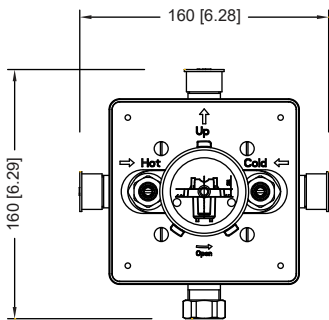
- Lift Handle to control volume. Turn left for hot, right for cold.
- Pressure Balance Valve Flow Rate - 5.5 GPM @ 60 PSI
- Extension Available - PBV.E185\*\*

**STANDARDS:**

- ASME A112.18.1 / CSA B125.1



**Technical Diagram**



PBV1005AS | Single Control Pressure Balance Valve Page 2 of 2



Water Flow Diagram

