

150.4371 | 3/4" 3-Way Diverter With Shut-Off



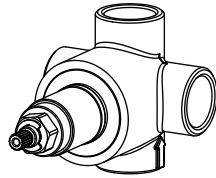
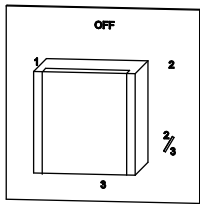
SPECIFICATIONS:

- Turn Handle for water diversion.
- Includes valve (TVH.4371)
- Valve Flow Rate - 8.0 GPM @ 60 PSI

STANDARDS:

- ASME A112.18.1 / CSA B125.1

! A separate volume control is **not** needed to turn water supply off. Volume control functionality is integrated within this valve.

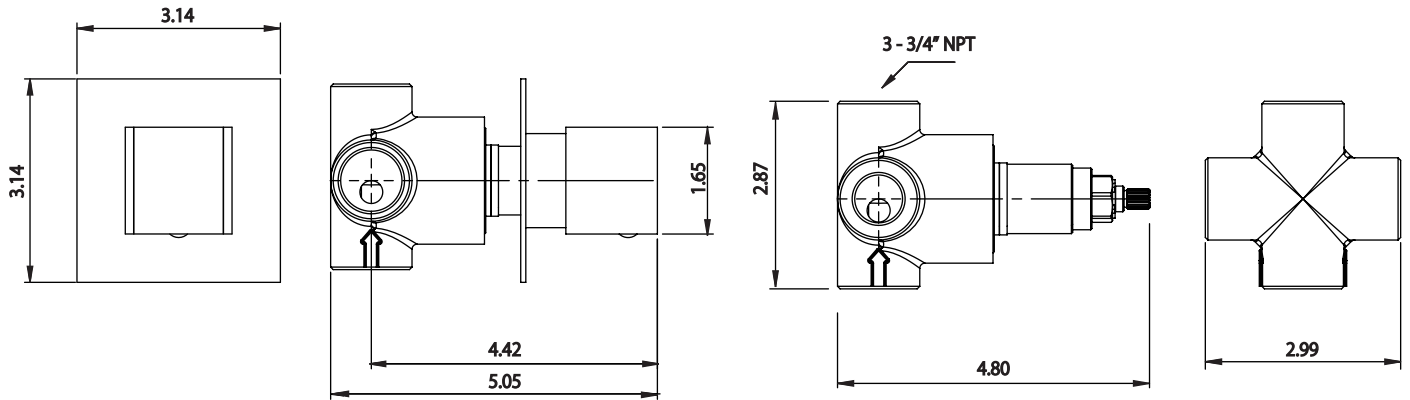


Trim
[150.4371T**]

Valve
[TVH.4371]

Technical Diagram

See Spec Sheet For TVH.4371 For Detailed Information On Valve.



Water Flow Diagram

