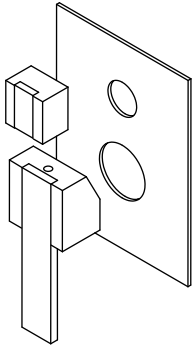
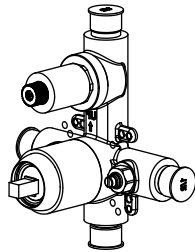


150.2100 | Tub / Shower Trim Set With Pressure Balance Valve & 2-Way Diverter with Integrated Volume Control



Trim
[150.2100T**]

+



Valve
[PBV1005A**]

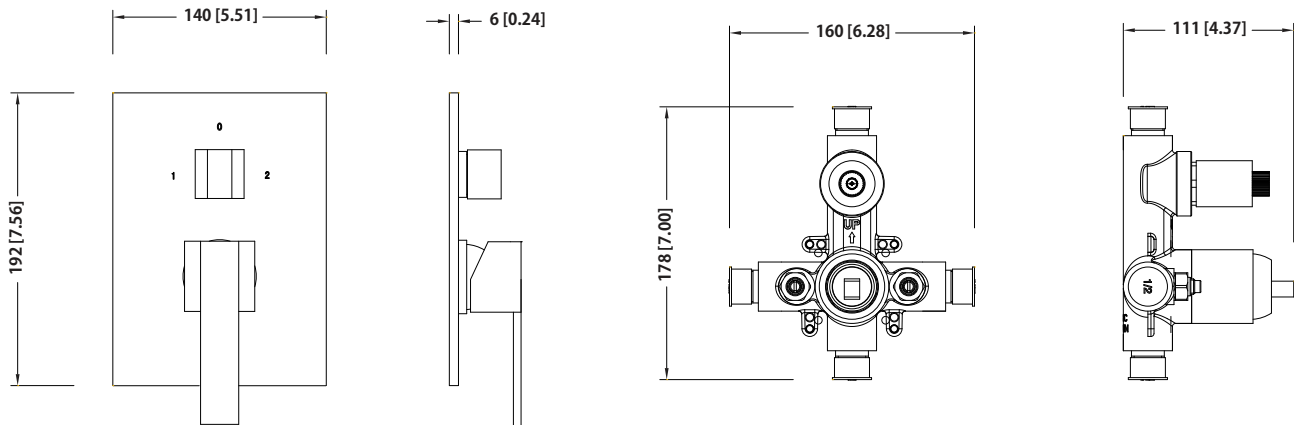
** Denotes Finish (CP, BN, etc.)

SPECIFICATIONS:

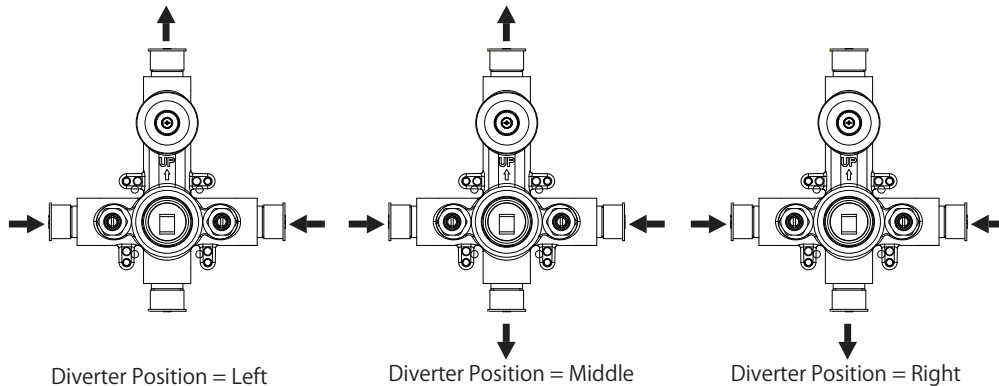
- Includes Pressure balance valve (PBV1005A**) w/ service stops
- Lift Handle to control volume. Turn left for hot, right for cold.
- Small knob controls 2-way water diversion
- Pressure Balance Valve Flow Rate - 5.5 GPM @ 60 PSI
- Extension Available - PBV.2100E**

See Spec Sheet For
PBV1005A For Detailed
Information On Valve.

Technical Diagram



Water Diversion Diagram



PBV1005A | Pressure Balance Valve With Integrated 2-Way Diverter Page 1 of 2

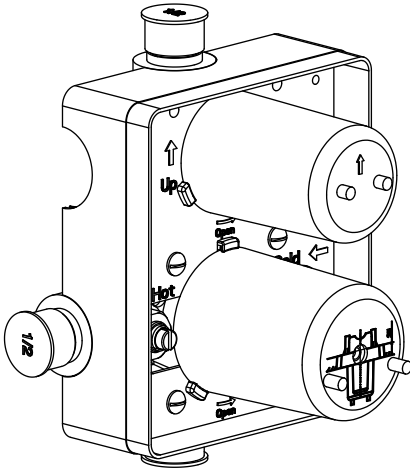


SPECIFICATIONS:

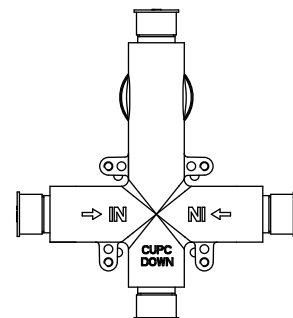
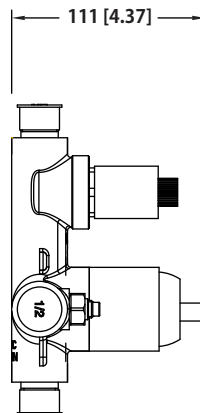
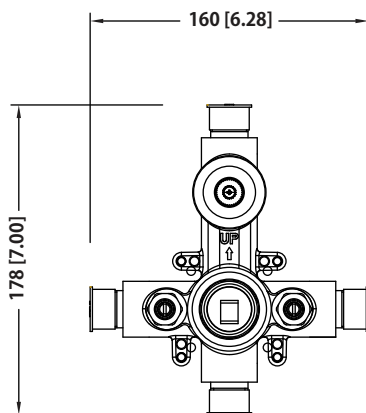
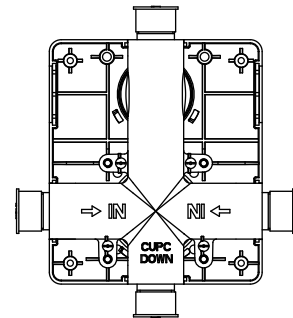
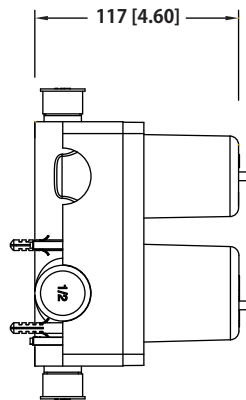
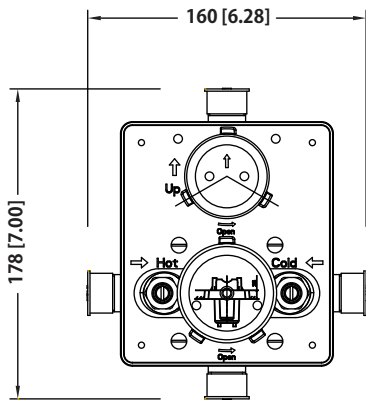
- Lift Handle to control volume. Turn left for hot, right for cold.
- Knob controls 2-way water diversion - shared output.
- Pressure Balance Valve Flow Rate - 5.5 GPM @ 60 PSI
- Extension Available - PBV.2100E**

STANDARDS:

- ASME A112.18.1 / CSA B125.1



Technical Diagram





Water Diversion Diagram

