

**145.2400 | 4-Hole Deck Mounted Roman Tub Filler With Hand Held**

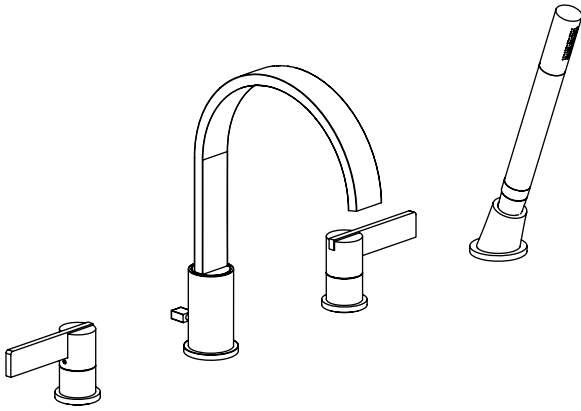


**SPECIFICATIONS:**

- Solid Brass construction - includes valve
- Four Hole Installation
- Hand Shower Flow Rate = 1.8 GPM @ 60 PSI
- Diverter controls water flow between spout and hand held
- Ceramic disc cartridge allows volume control

**STANDARDS:**

- ASME A112.18.1 / CSA B125.1



Legislation Compliance



ZeroDrip Technology



**Technical Diagram**

