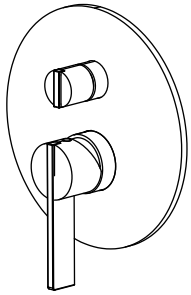


145.2102 | Tub / Shower Trim Set With Pressure Balance Valve & 2-Way Diverter with Integrated Volume Control



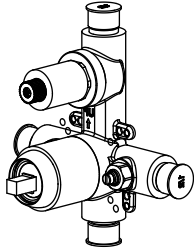
SPECIFICATIONS:

- Includes Pressure balance valve (PBV1005A\*\*) w/ service stops
- Lift Handle to control volume. Turn left for hot, right for cold.
- Small knob controls 2-way water diversion
- Pressure Balance Valve Flow Rate - 5.5 GPM @ 60 PSI
- Extension Available - PBV.2100E\*\*



Trim  
[ 145.2102T ]

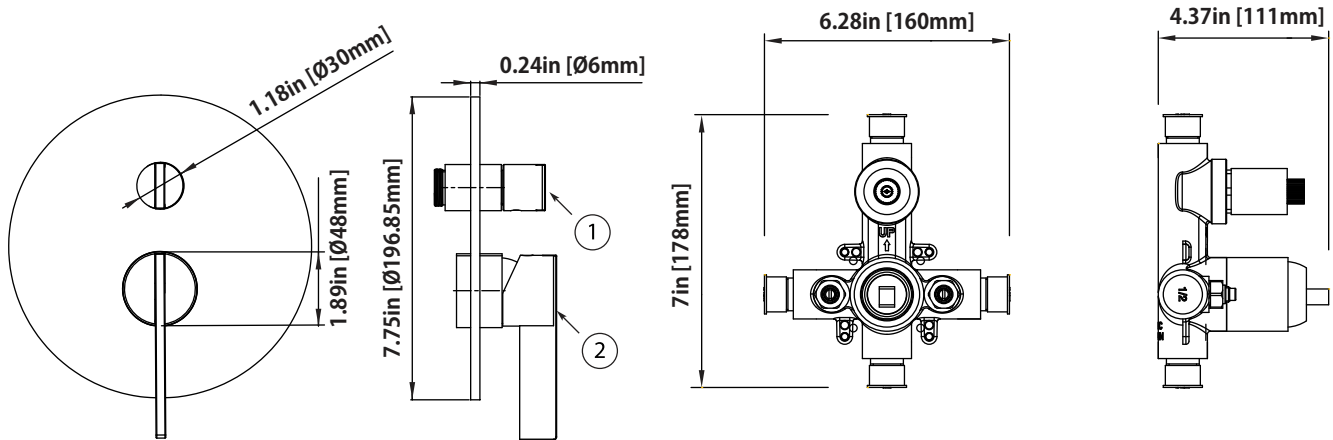
+



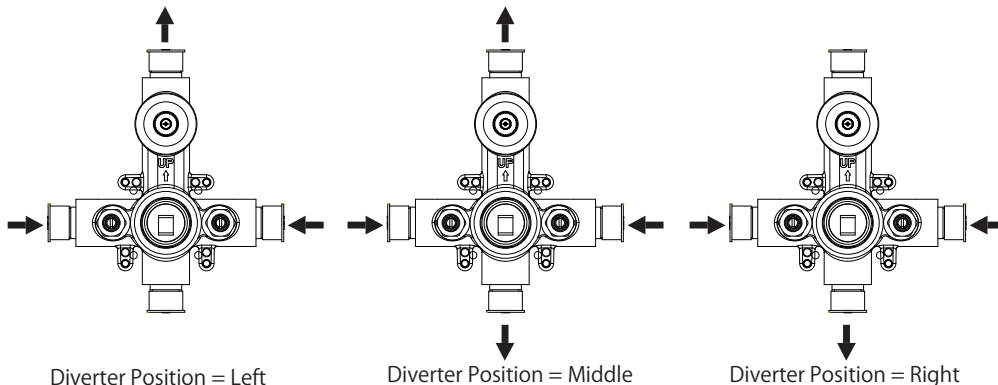
Valve  
[ PBV1005A\*\* ]

See Spec Sheet For  
PBV1005A For Detailed  
Information On Valve.

Technical Diagram



Water Diversion Diagram



**PBV1005A | Pressure Balance Valve With Integrated 2-Way Diverter** Page 1 of 2

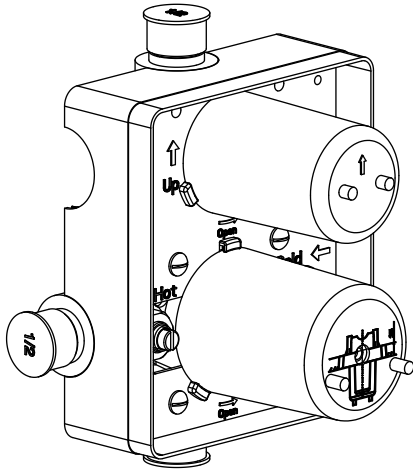


**SPECIFICATIONS:**

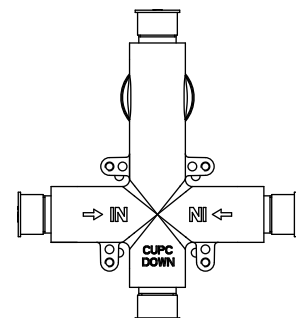
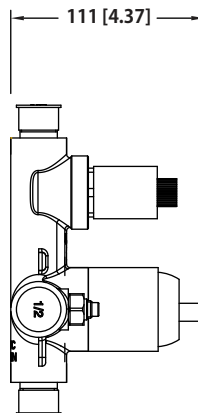
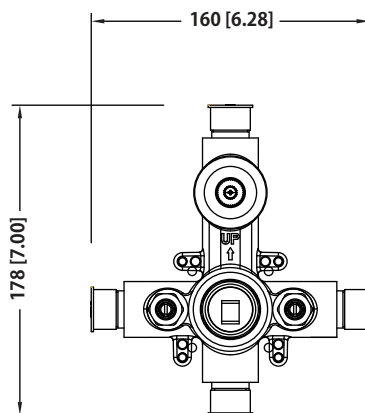
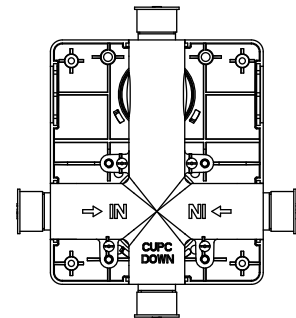
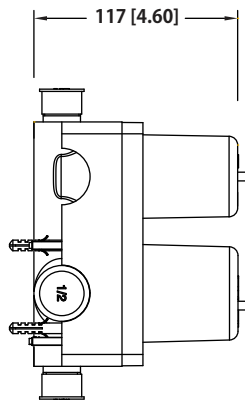
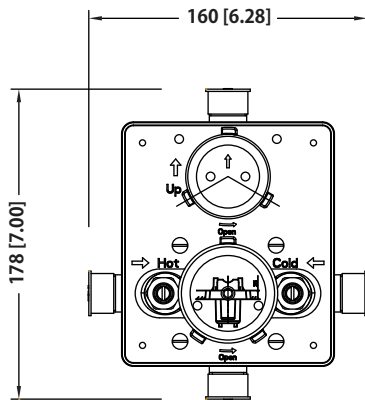
- Lift Handle to control volume. Turn left for hot, right for cold.
- Knob controls 2-way water diversion - shared output.
- Pressure Balance Valve Flow Rate - 5.5 GPM @ 60 PSI
- Extension Available - PBV.2100E\*\*

**STANDARDS:**

- ASME A112.18.1 / CSA B125.1



**Technical Diagram**





Water Diversion Diagram

