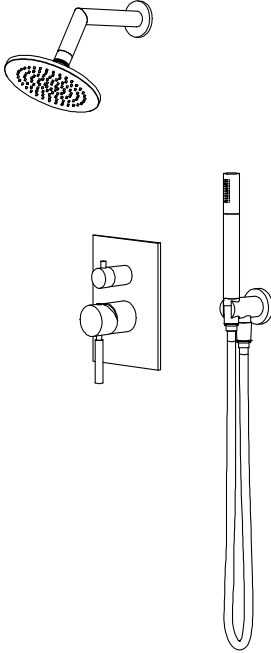


100.3250 | Two Output Shower W/ Shower Head & Hand Held



COMPONENTS

- HS1030 - 7" Shower Arm
- HSB.6R - 6" Shower Head
- UF.2100T - Shower Trim
- PBV.1005A - Shower Valve
- HS8008 - Elbow w/ Holder
- SP.150EM - 1.5m Hose
- HS1004H - Hand Held

SHOWER VALVE:

- Pressure balance shower valve
- Valve includes service stops
- Lift bottom handle to control volume
- Turn left for hot, right for cold
- Top handle controls water diversion
- 1/2" NPT

SHOWER HEAD:

- Single function
- Solid brass construction
- 1.8 GPM flow rate

HAND HELD:

- Solid Brass construction
- 1.8 GPM flow rate
- With back flow prevention check valve

STANDARDS:

- ASME A112.18.1 / CSA B125.1

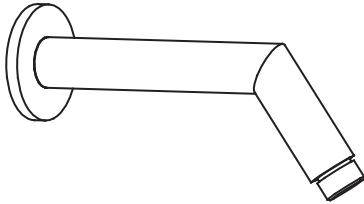
See individual component specification sheets on following pages for further details.

HS1030 | Round Shower Arm

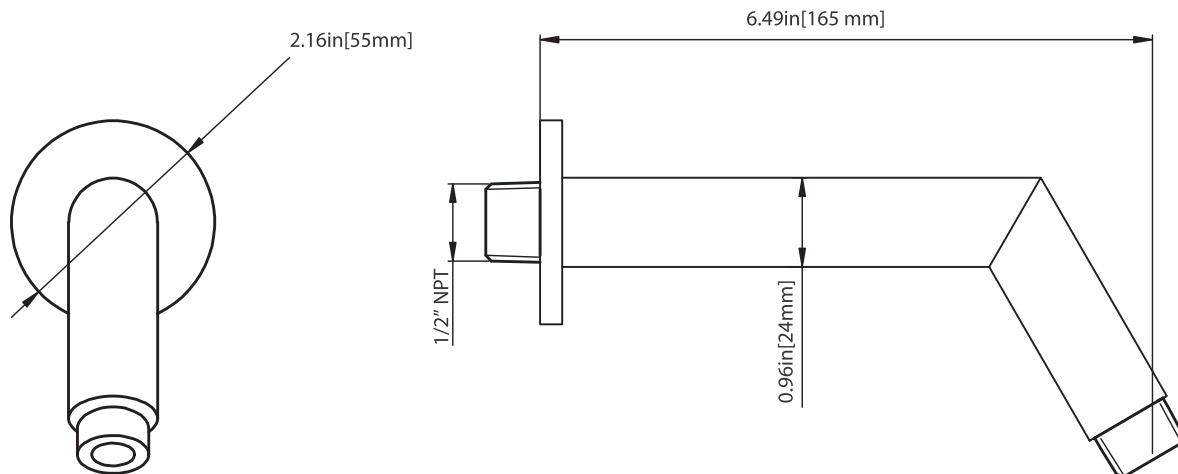


SPECIFICATIONS:

- Solid Brass Shower Arm
- With Brass Flange



Technical Diagram

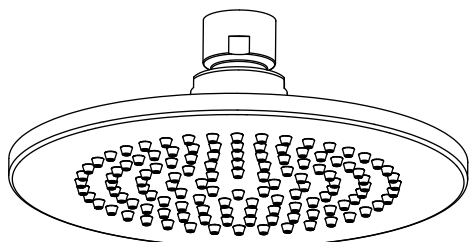


HSB.6R | 6" Brass Shower Head

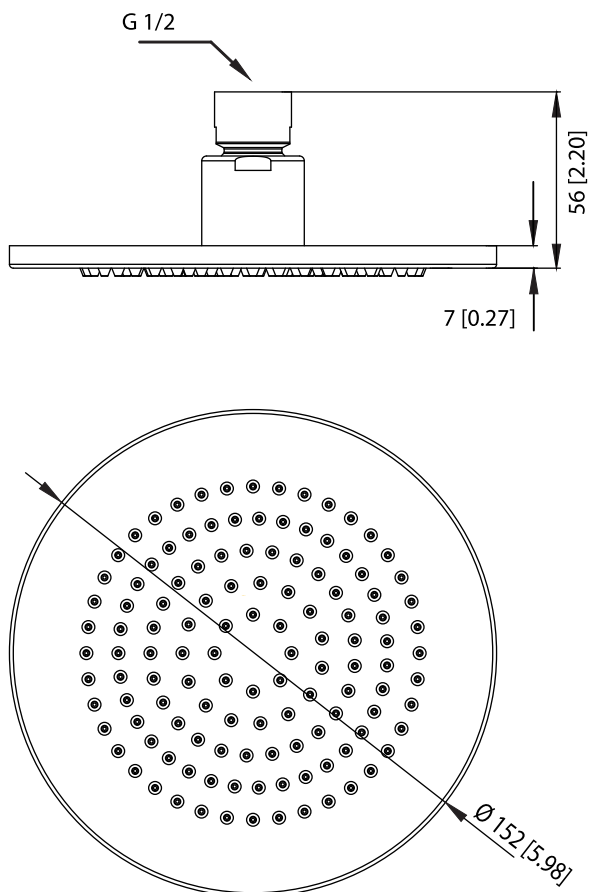


SPECIFICATIONS:

- Solid Brass Shower Head
- Scrub rubber nozzles to easily clean water sediment
- 1.8 GPM Flow Rate
- 123 Nozzles



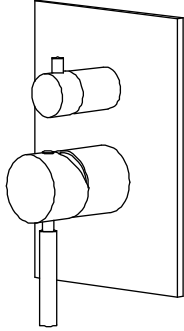
Technical Diagram



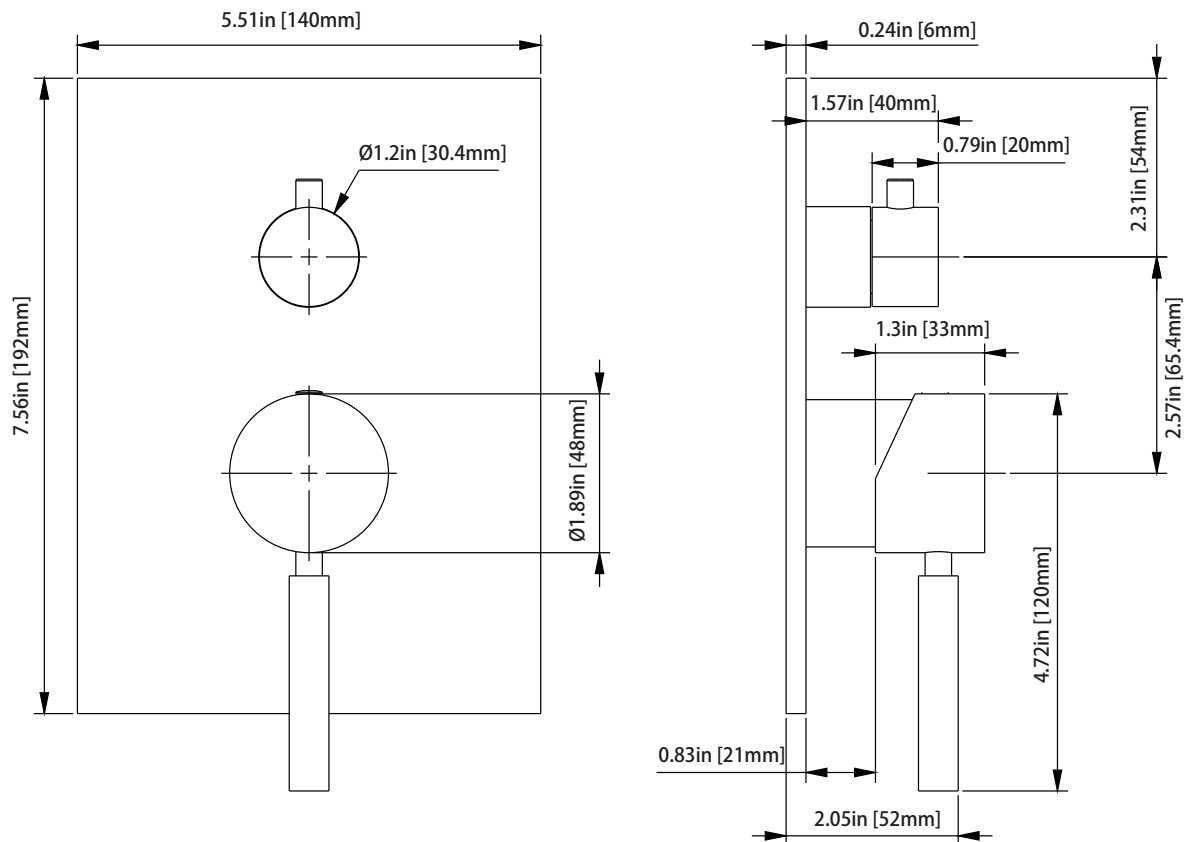
UF.2100T | Tub / Shower Trim

SPECIFICATIONS:

- Solid Brass Construction
- Trim only valve not included
- Lift Handle to control volume. Turn left for hot, right for cold.
- Small knob controls 2-way water diversion



Technical Diagram



PBV1005A | Pressure Balance Valve With Integrated 2-Way Diverter Page 1 of 2

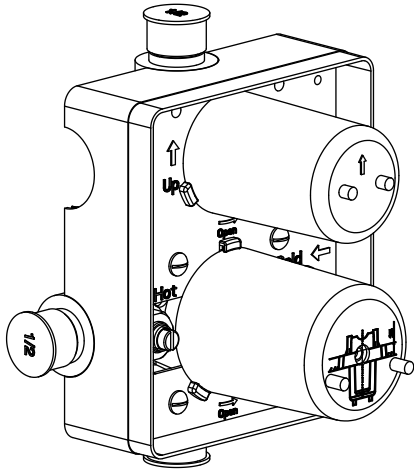


SPECIFICATIONS:

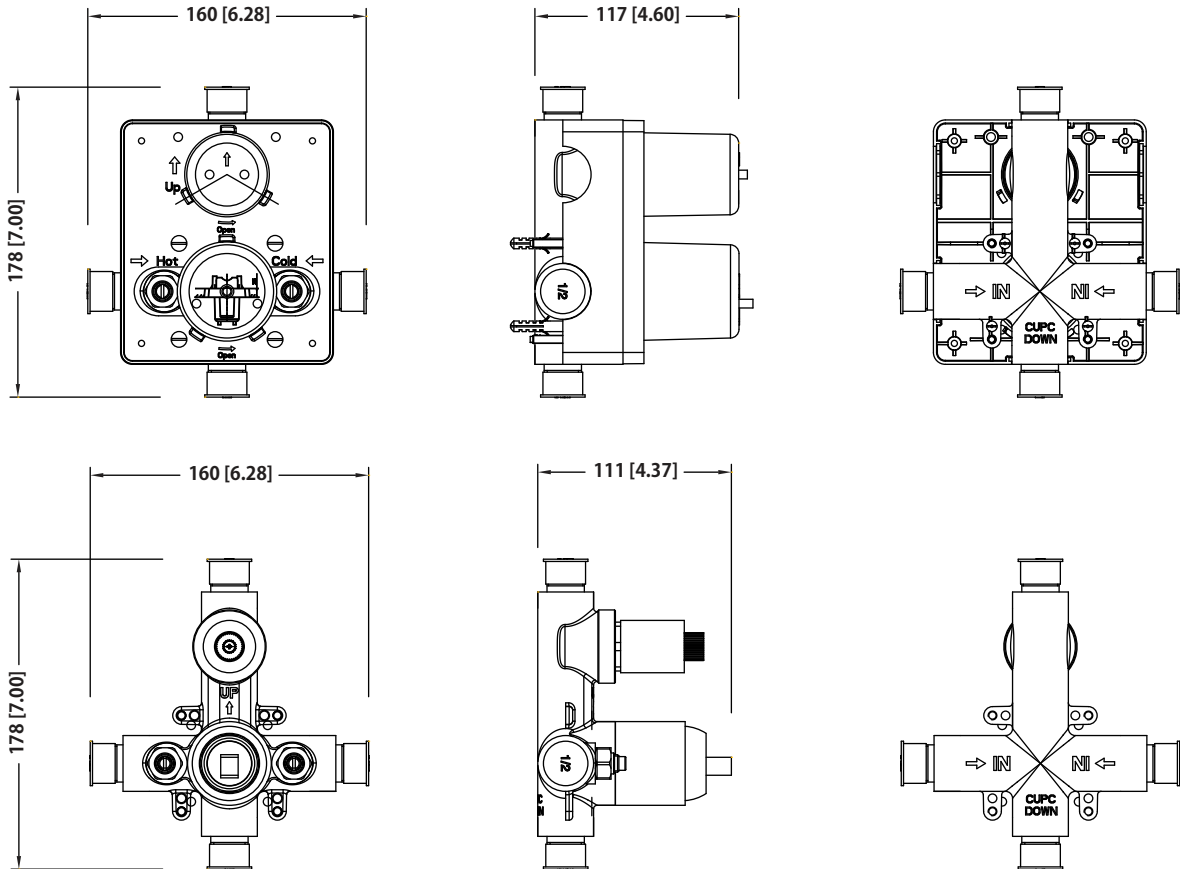
- Lift Handle to control volume. Turn left for hot, right for cold.
- Knob controls 2-way water diversion - shared output.
- Pressure Balance Valve Flow Rate - 5.5 GPM @ 60 PSI
- Extension Available - PBV.2100E**

STANDARDS:

- ASME A112.18.1 / CSA B125.1



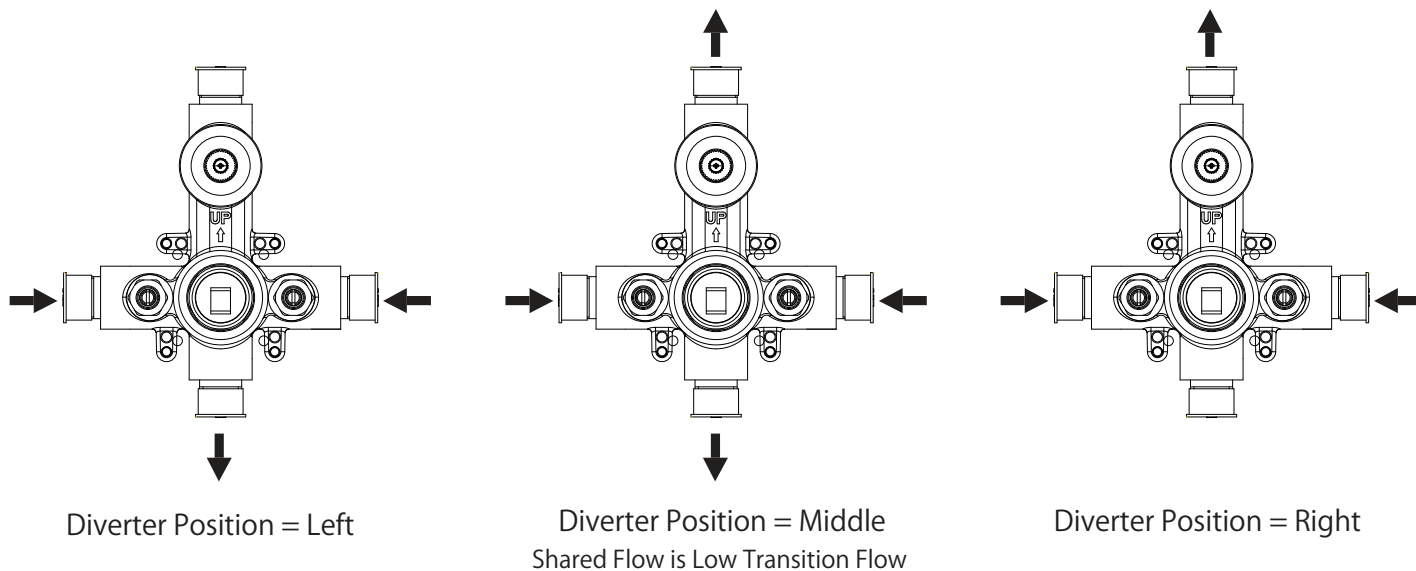
Technical Diagram



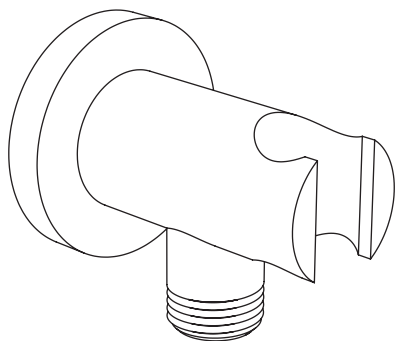
PBV1005A | Pressure Balance Valve With Integrated 2-Way Diverter Page 2 of 2



Water Diversion Diagram



HS8008 | Wall Elbow With Holder Combo



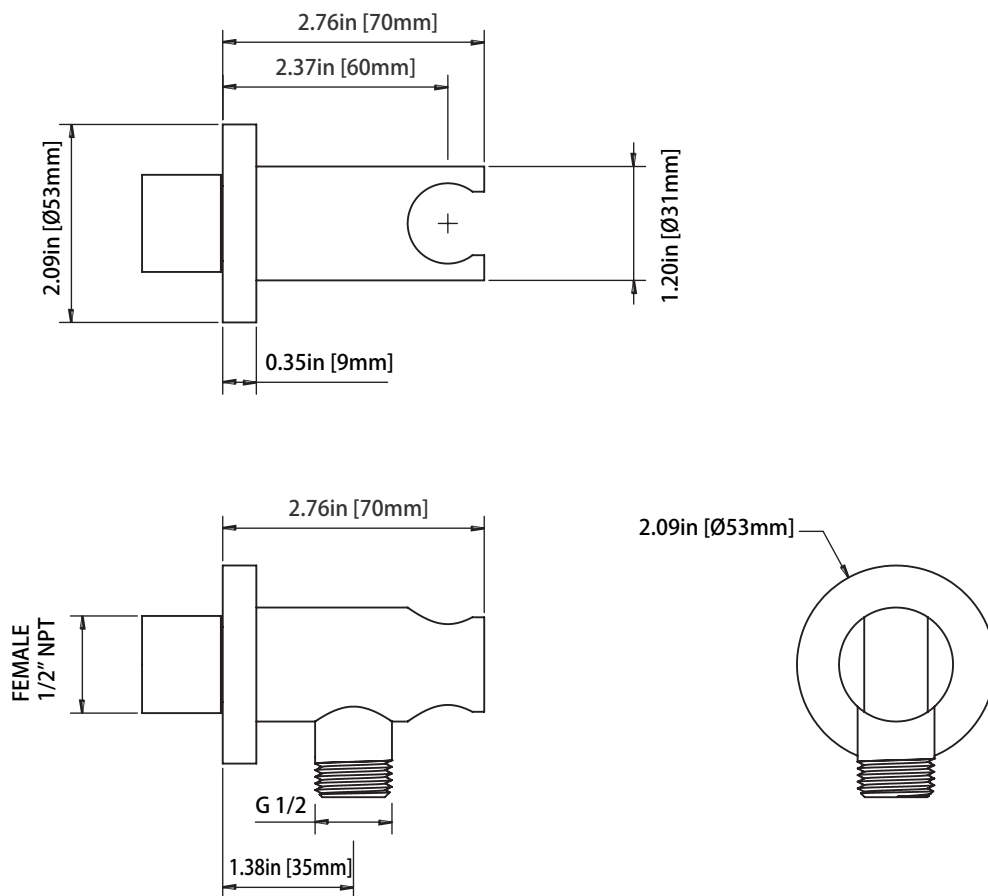
SPECIFICATIONS:

- Solid Brass construction
- Includes check valve with back flow prevention.

FAST SHIP FINISHES :

- Chrome - HS8008CP / Brushed Nickel - HS8008BN

Technical Diagram



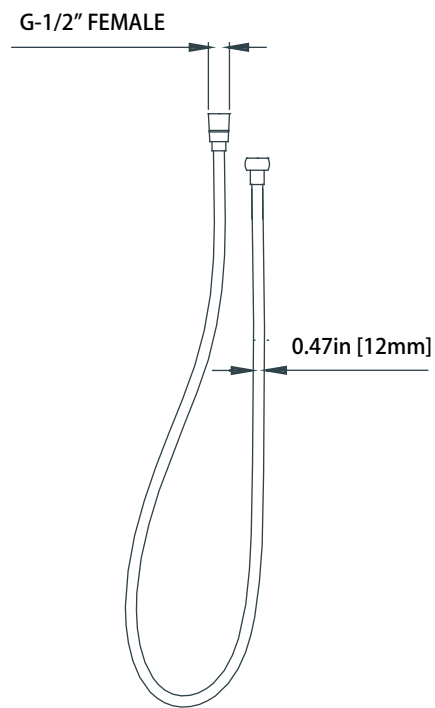
SP.150EM | Easy Maneuver Hose



SPECIFICATIONS:

- Stainless steel construction
- G-1/2" connection
- 1.5m length

Technical Diagram



HS1004H | Solid Brass Hand Shower

SPECIFICATIONS:

- Solid Brass Construction
- 1.8 GPM Flow Rate
- With back flow prevention check valve



Technical Diagram

