

100.2400 | 4-Hole Deck Mounted Roman Tub Filler With Hand Held

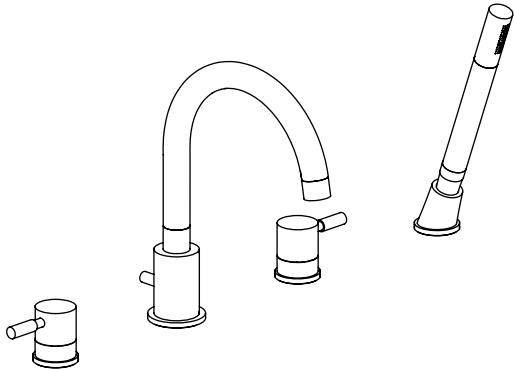


SPECIFICATIONS:

- Solid Brass Construction - Includes Valves
- Four Hole Installation
- 9.0 GPM Spout Flow Rate @ 60 PSI
- Hand Shower Flow Rate = 1.8 GPM @ 60 PSI
- Diverter Controls Water Flow Between Spout and Hand Held

STANDARDS:

- ASME A112.18.1 / CSA B125.1



Technical Diagram

