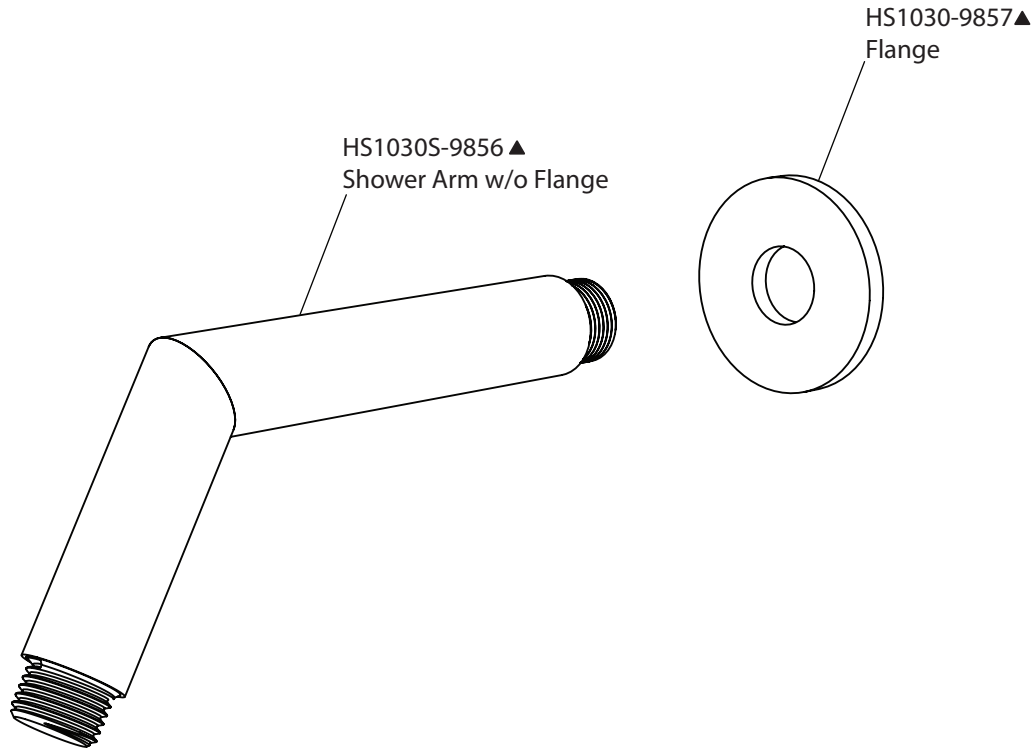


Product Parts Breakdown



isenberg
innovation+design

HS1030S

Ver 2.53