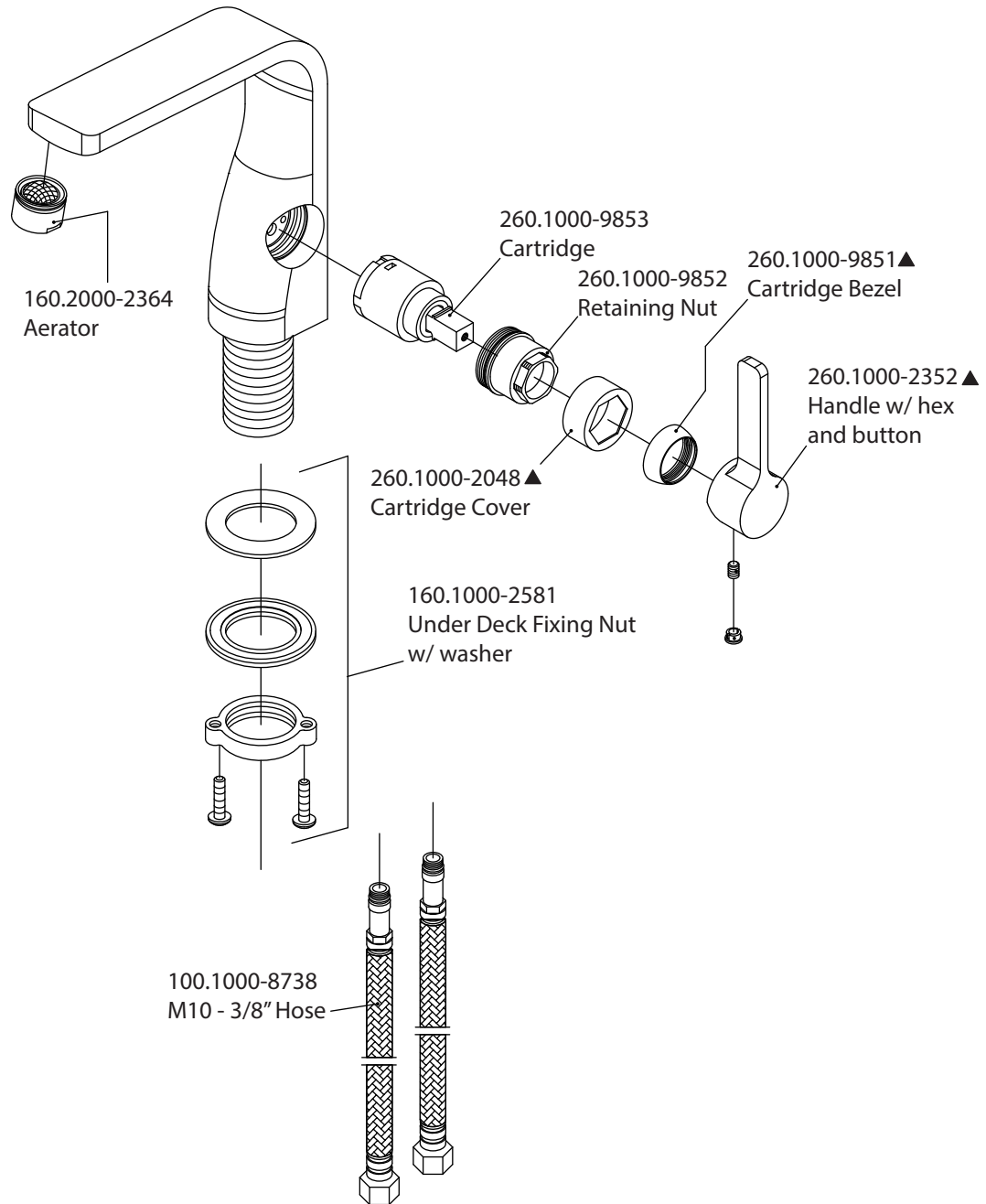


Product Parts Breakdown



Model No. 260.1000 Ver 2.53

