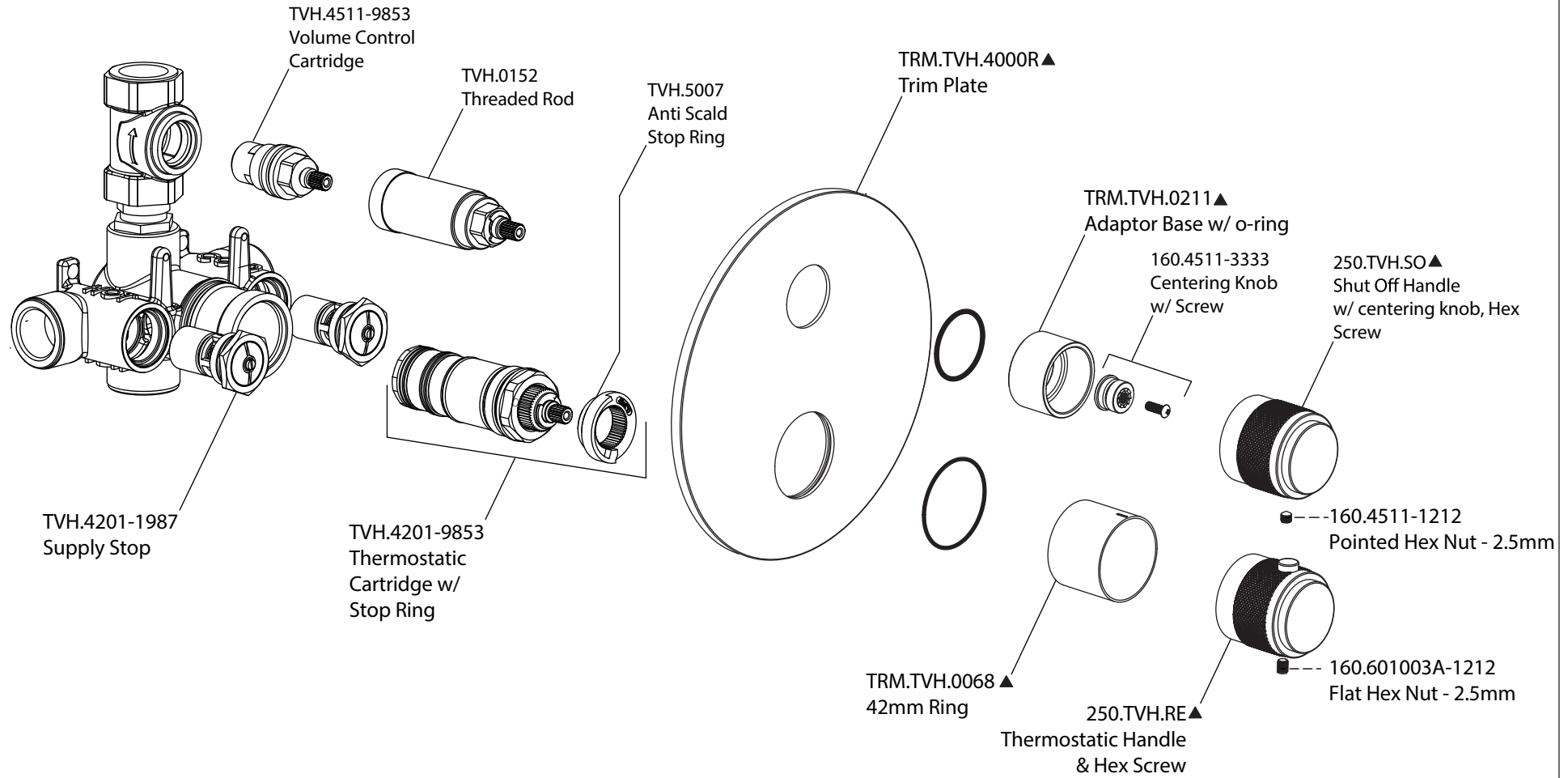


# Product Parts Breakdown



**Model No. 250.4101**      **Ver 2.54**

