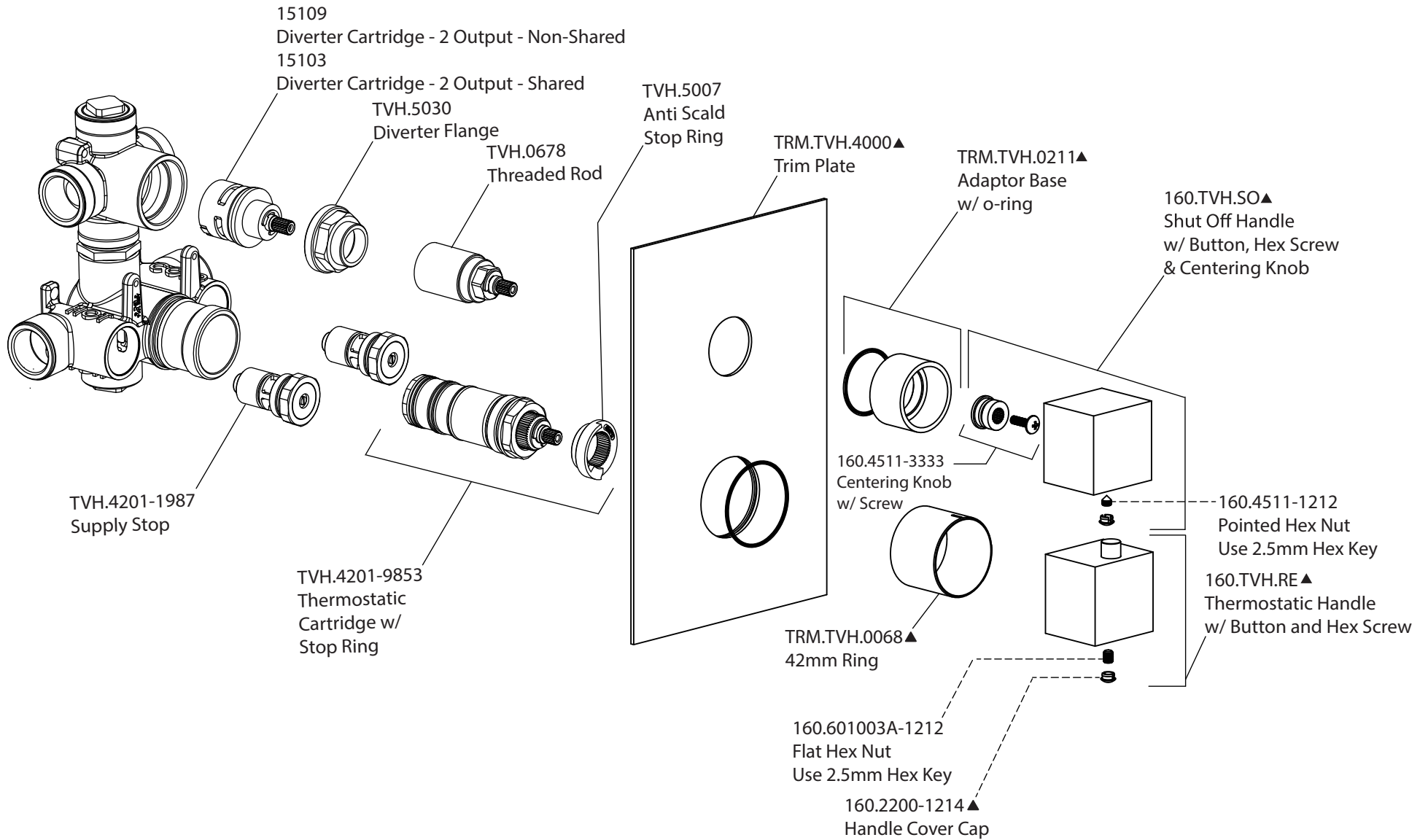


# Product Parts Breakdown

## Using TVH.4420F Valve

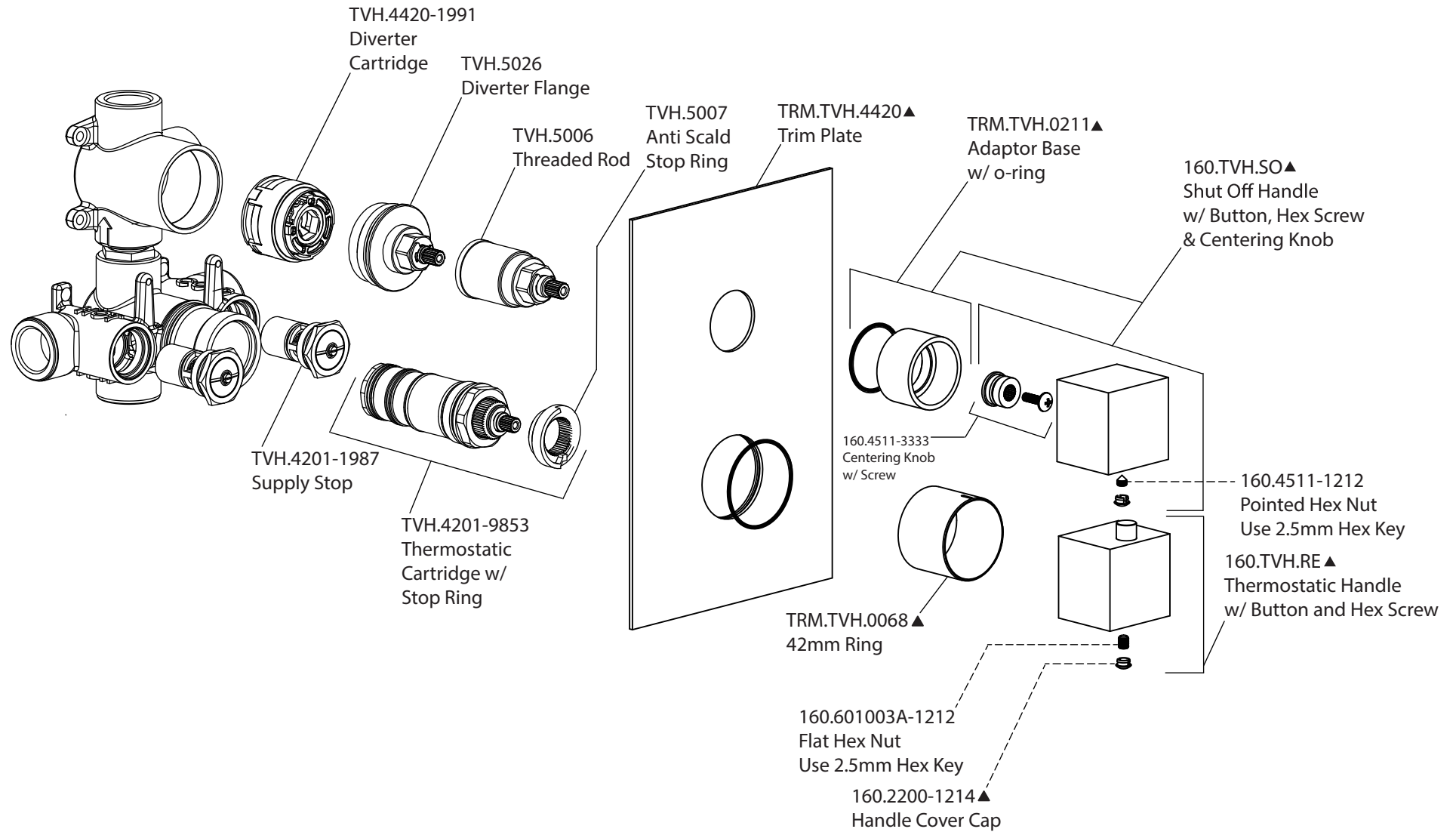


**Model No.** 160.4420

**Ver** 2.57

# Product Parts Breakdown

## Using TVH.4420 Valve



**Model No.** 160.4420

**Ver** 2.55