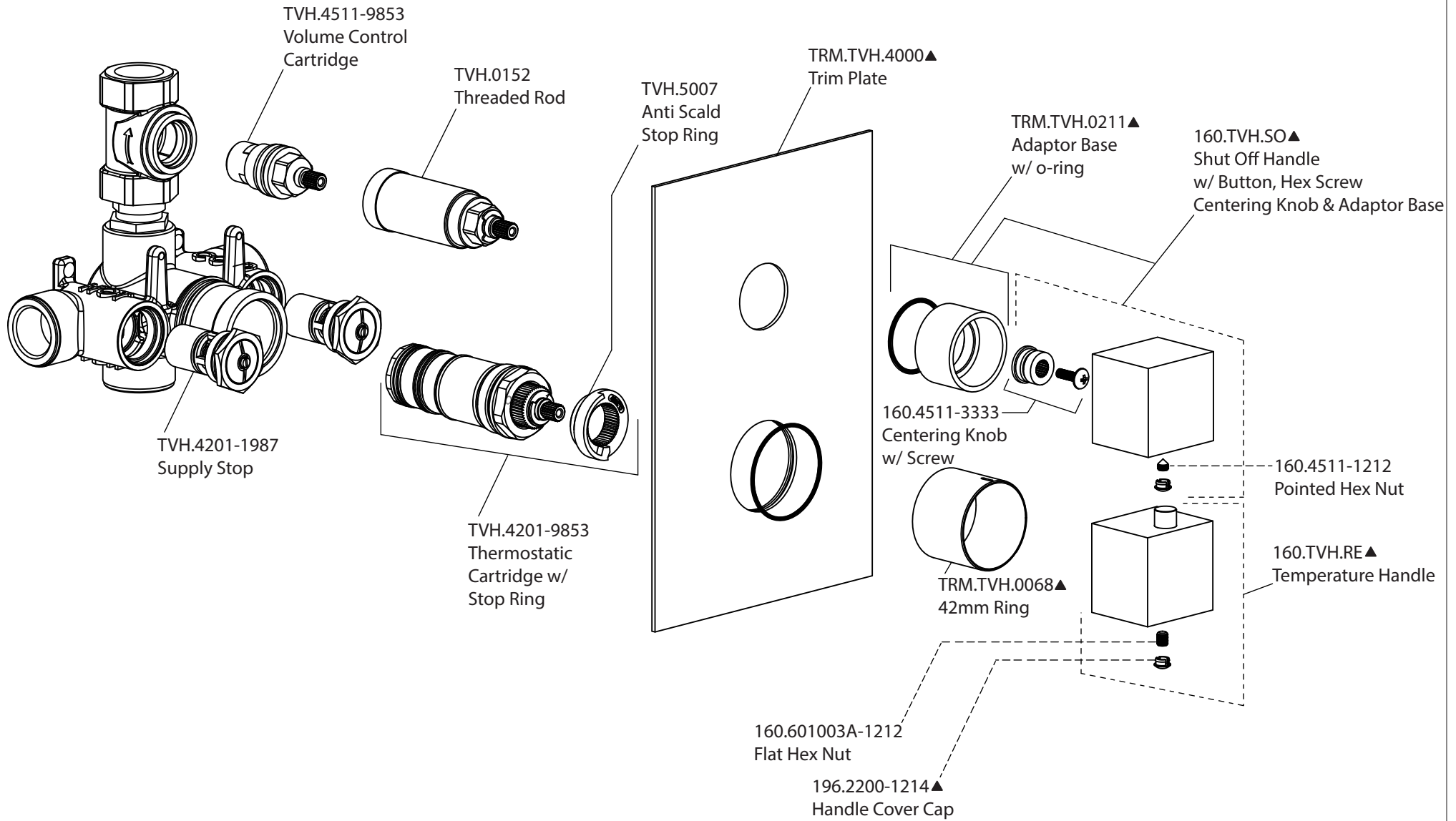


# Product Parts Breakdown



**Model No. 160.4101**

**Ver 2.56**