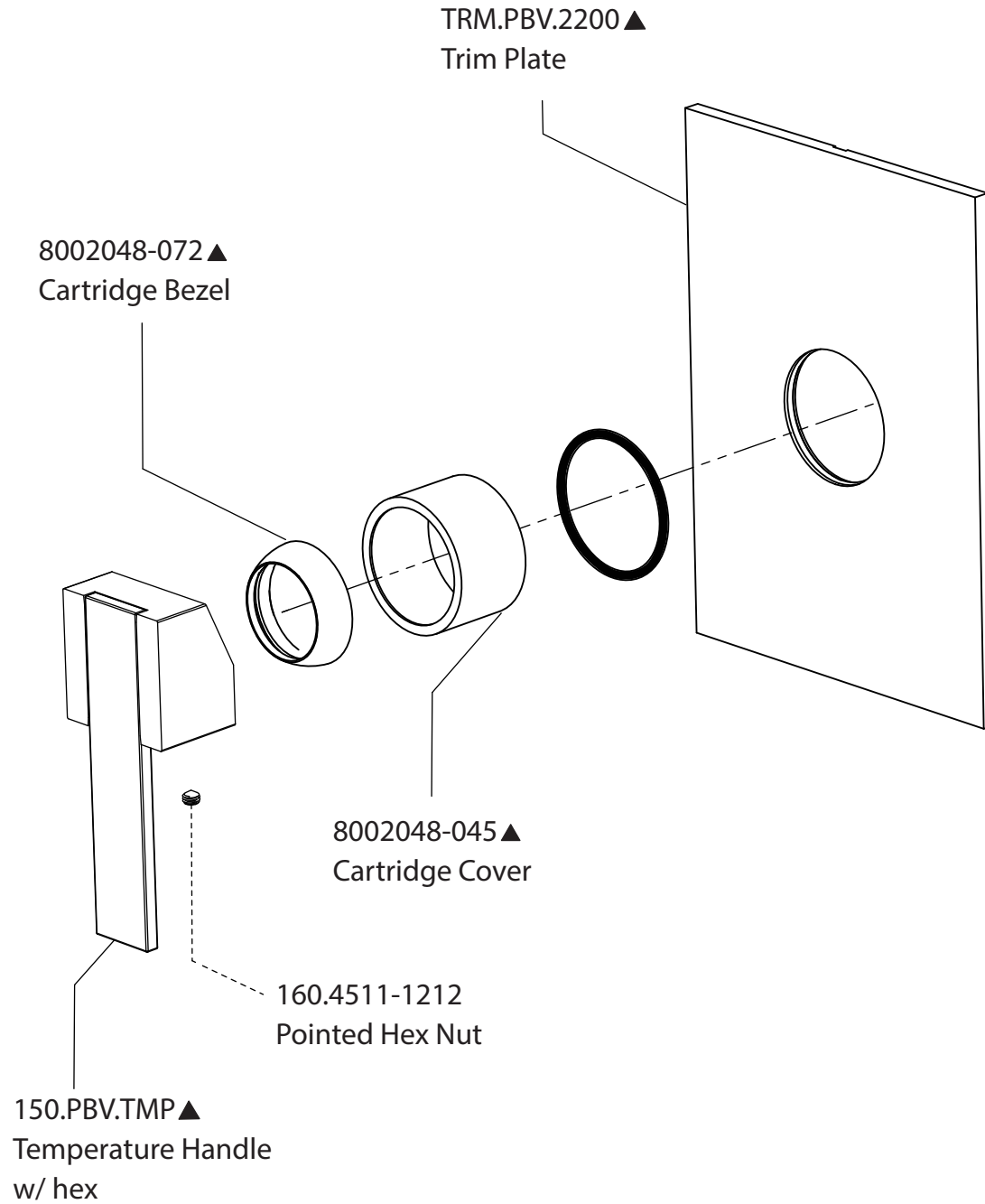


Product Parts Breakdown



Model No. 150.2200T **Ver** 2.56

