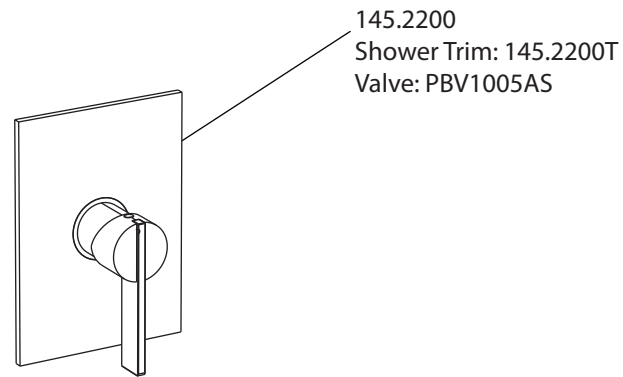
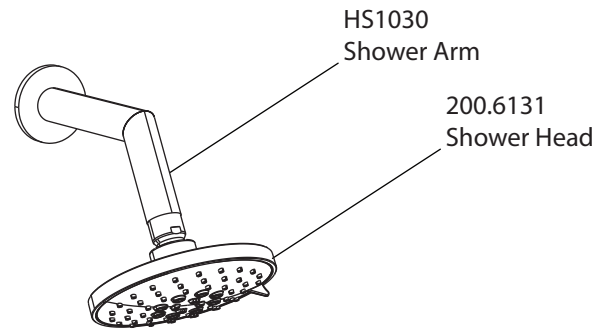


# Product Parts Breakdown



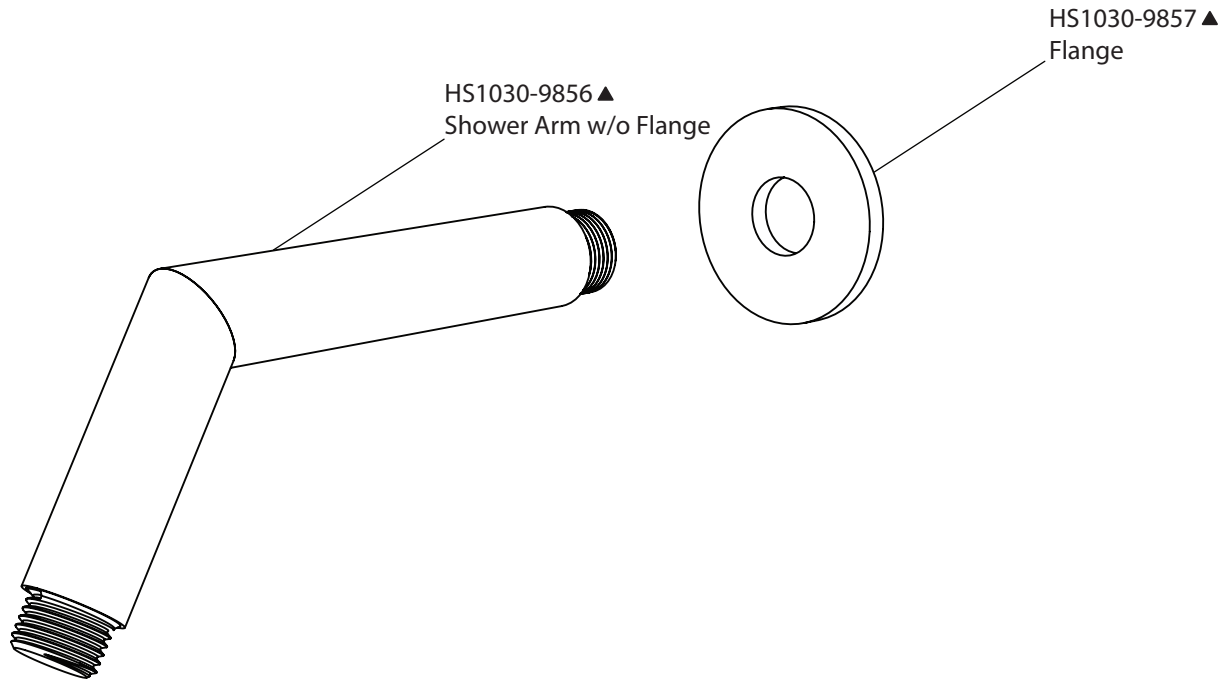
**isenberg**  
innovation+design

145.3000

Ver 2.53

# Product Parts Breakdown

▲ Specify Finish



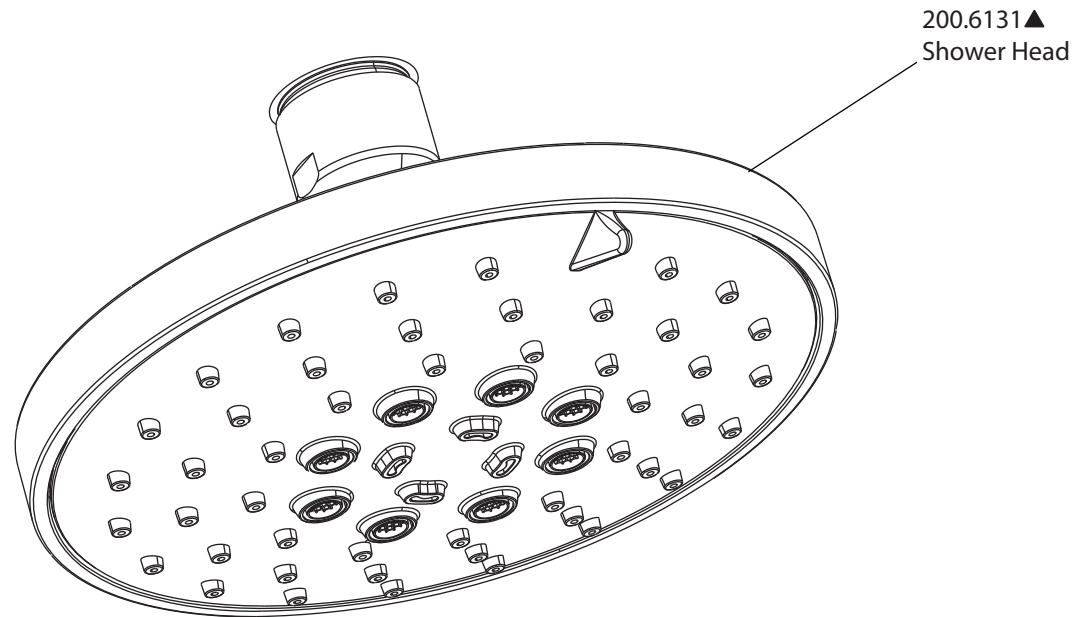
**isenberg**  
innovation+design

HS1030

Ver 2.53

# Product Parts Breakdown

▲ Specify Finish

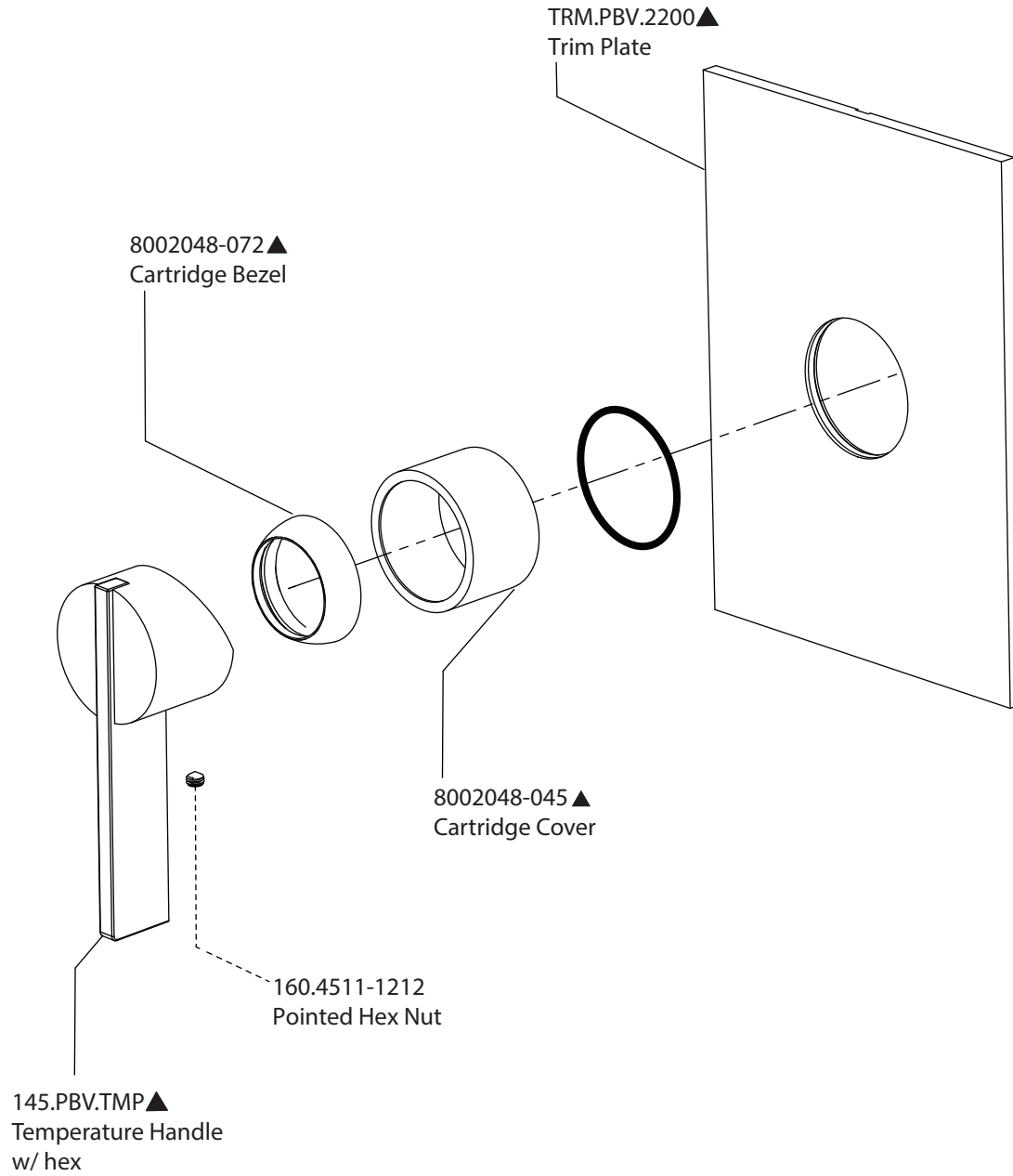


**isenberg**  
innovation+design

200.6131

Ver 2.53

# Product Parts Breakdown

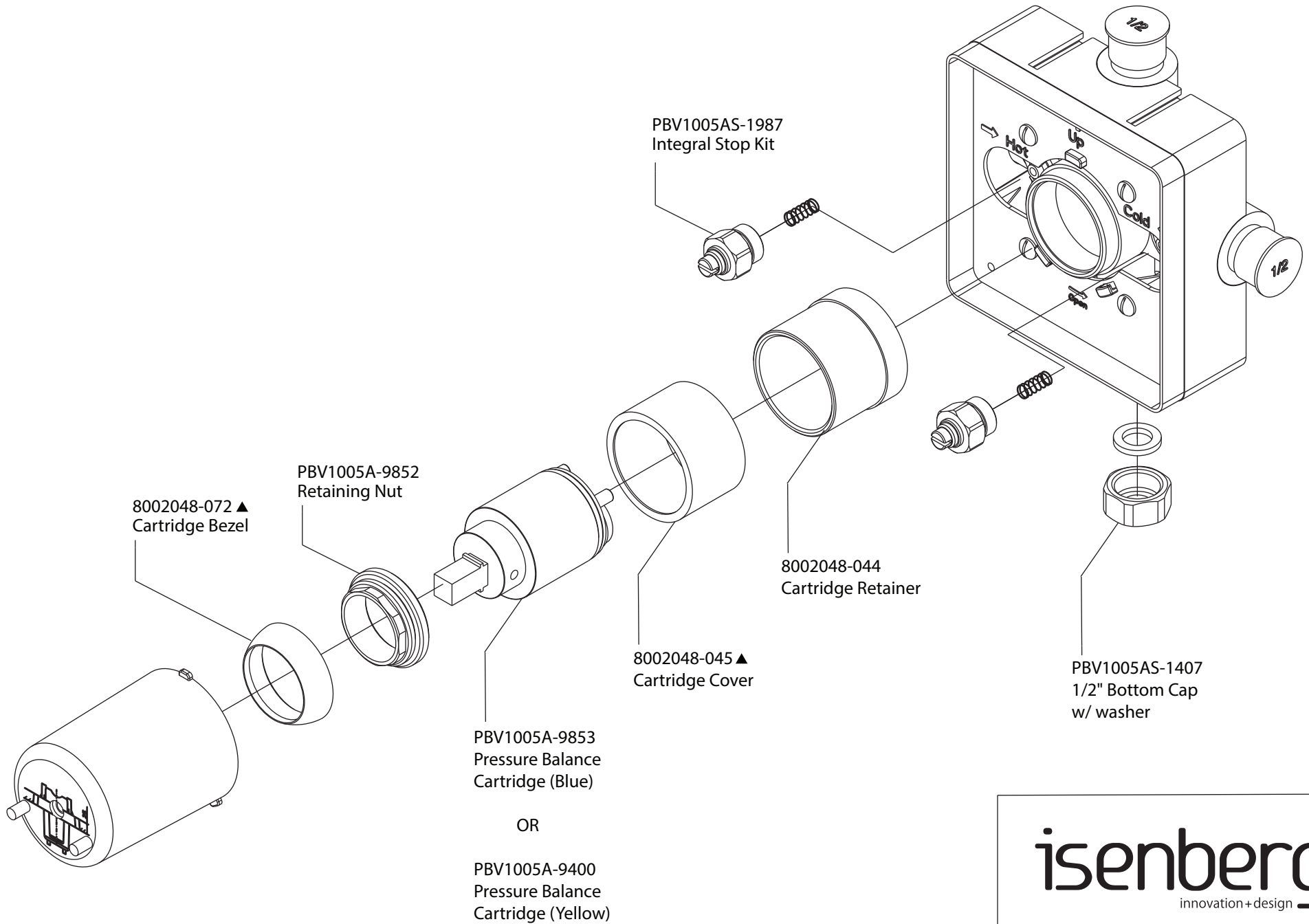


**isenberg**  
innovation+design

145.2200T

# Product Parts Breakdown

▲ Specify Finish



**isenberg**  
innovation+design

PBV1005AS

Ver 2.54