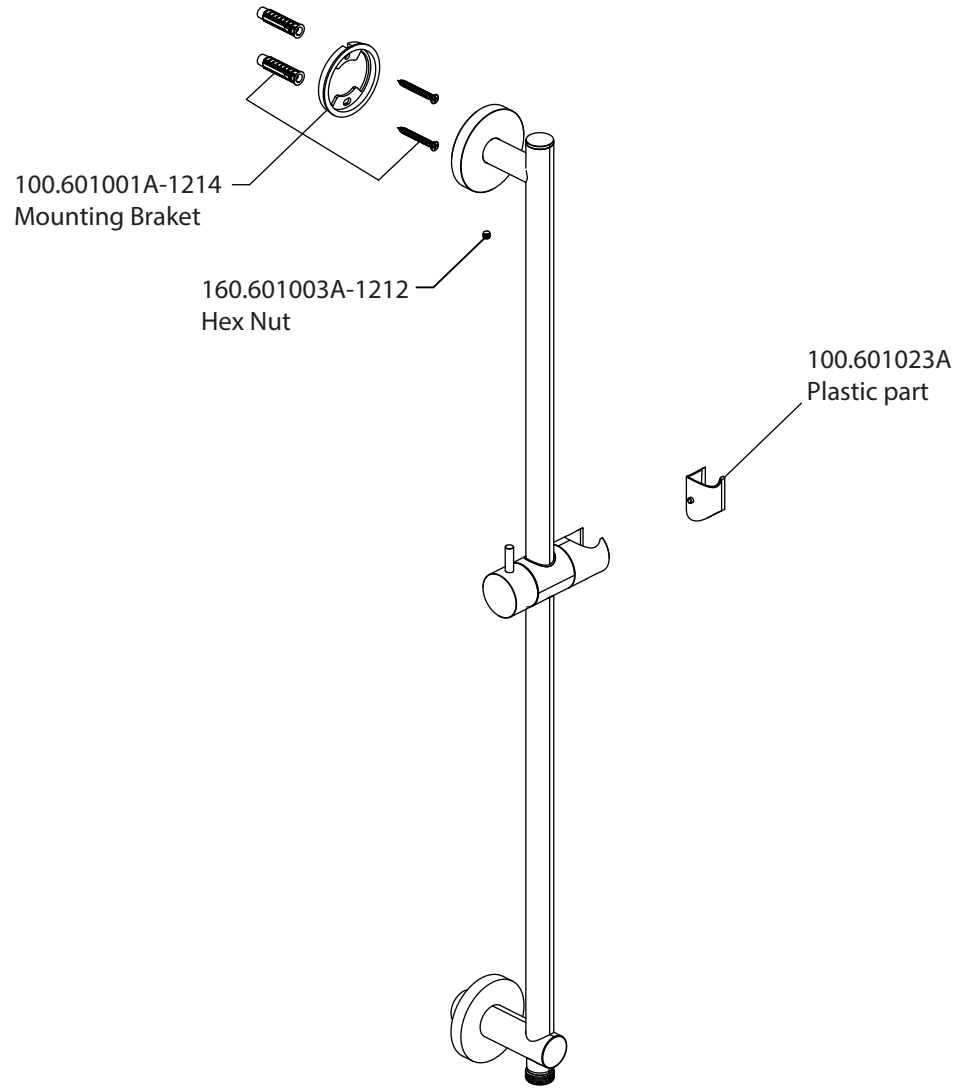


# Product Parts Breakdown



**Model No.** 100.601023A **Ver** 2.54