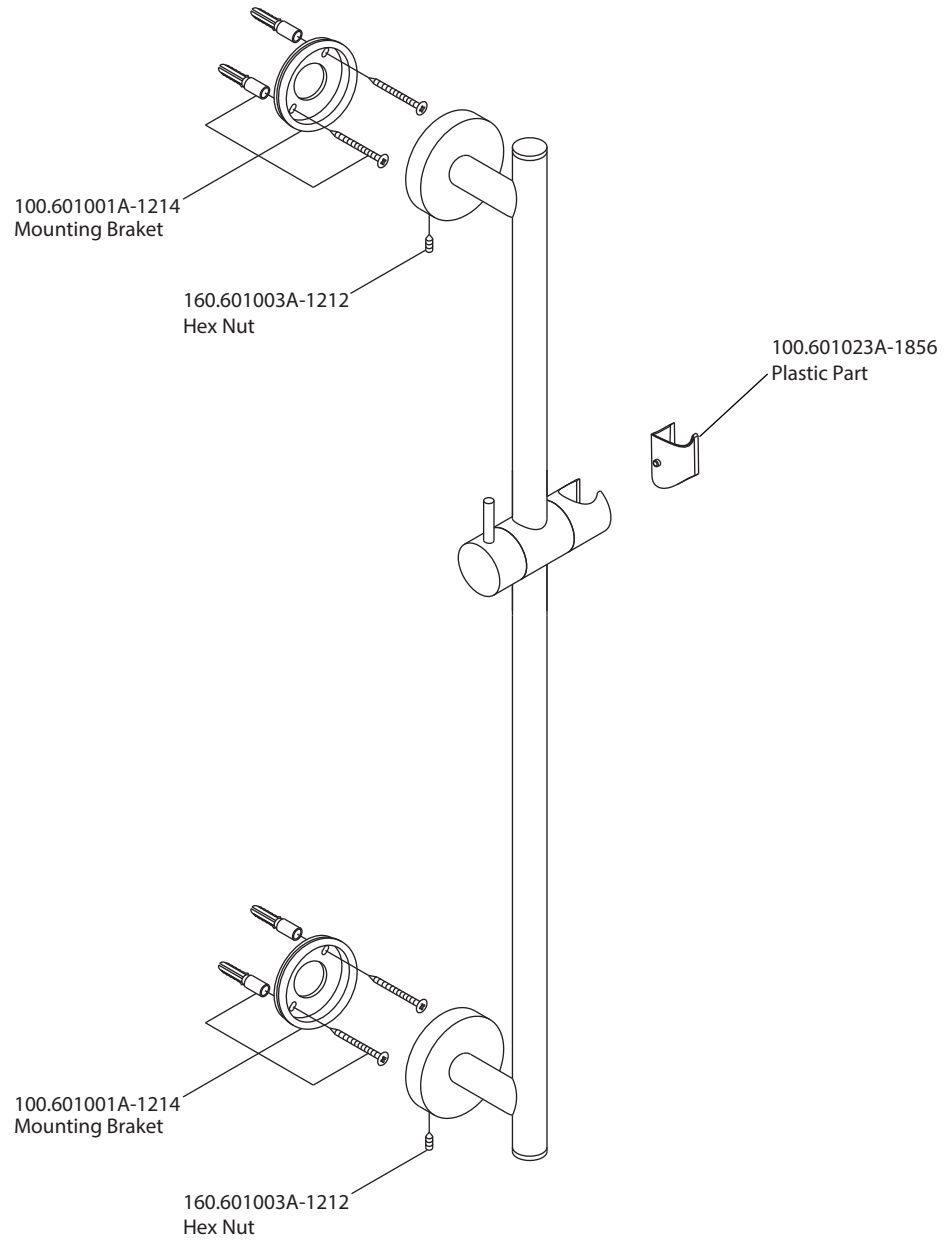


Product Parts Breakdown



Model No. 100.601001A **Ver** 2.55

