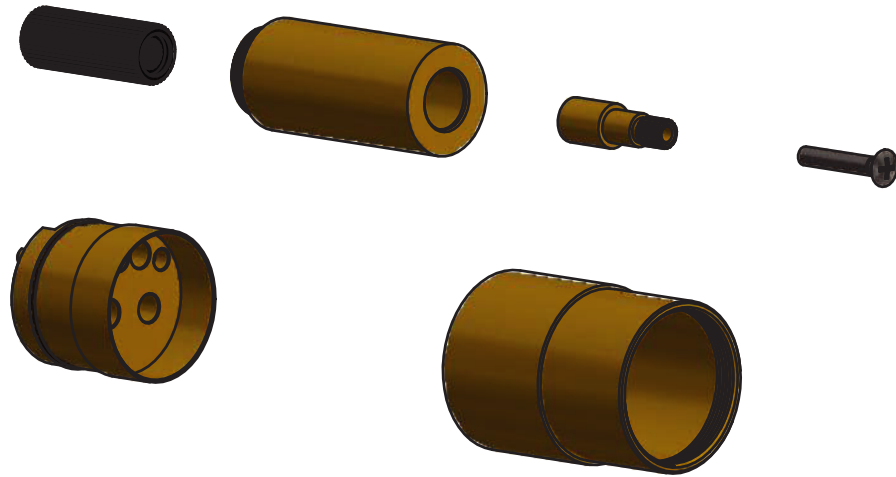


Installation Manual - PBV.2100E

Pressure Balance Valve Extension Kit

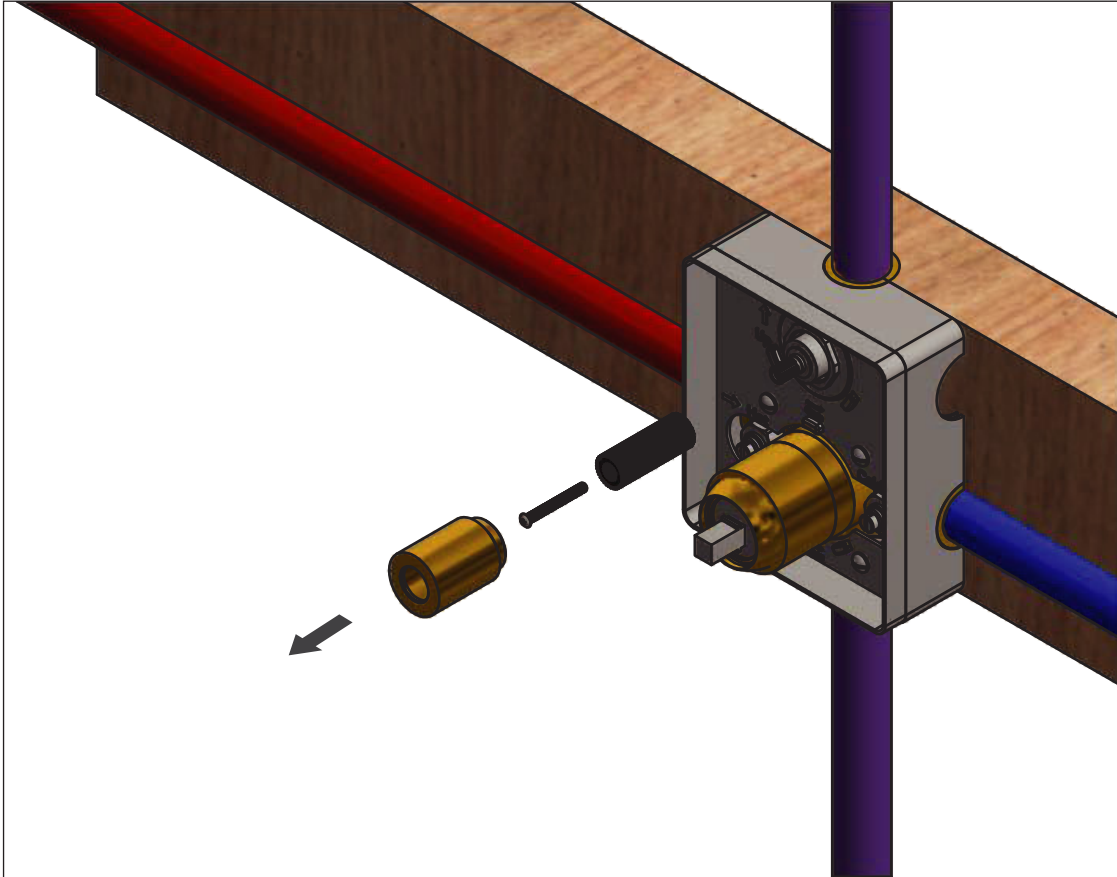
Use With Trims Ending in *2100T *2101T



BEFORE YOU BEGIN

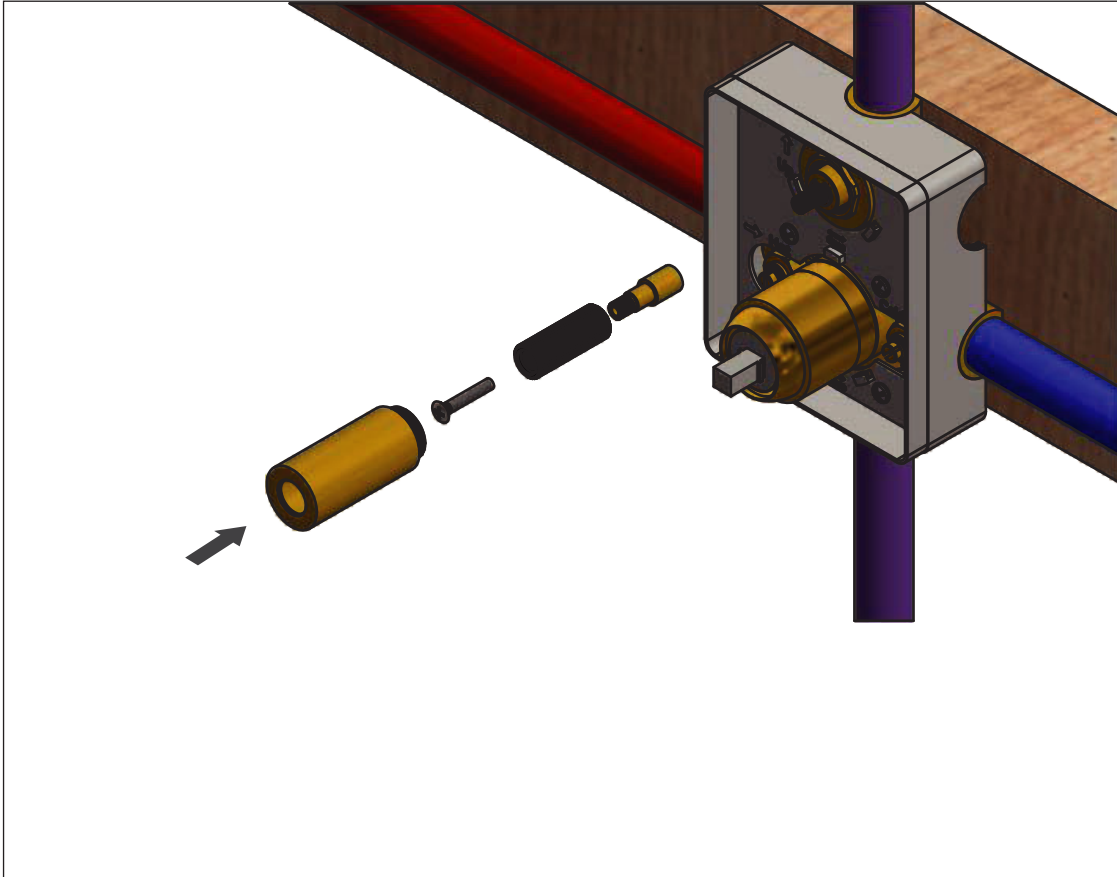
- You must observe all local plumbing laws and codes.
- Do not install this valve if it does not meet local plumbing codes.
- Shut off the main water supply.

INSTALLING EXTENSIONS TO THE VALVE - OPTIONAL



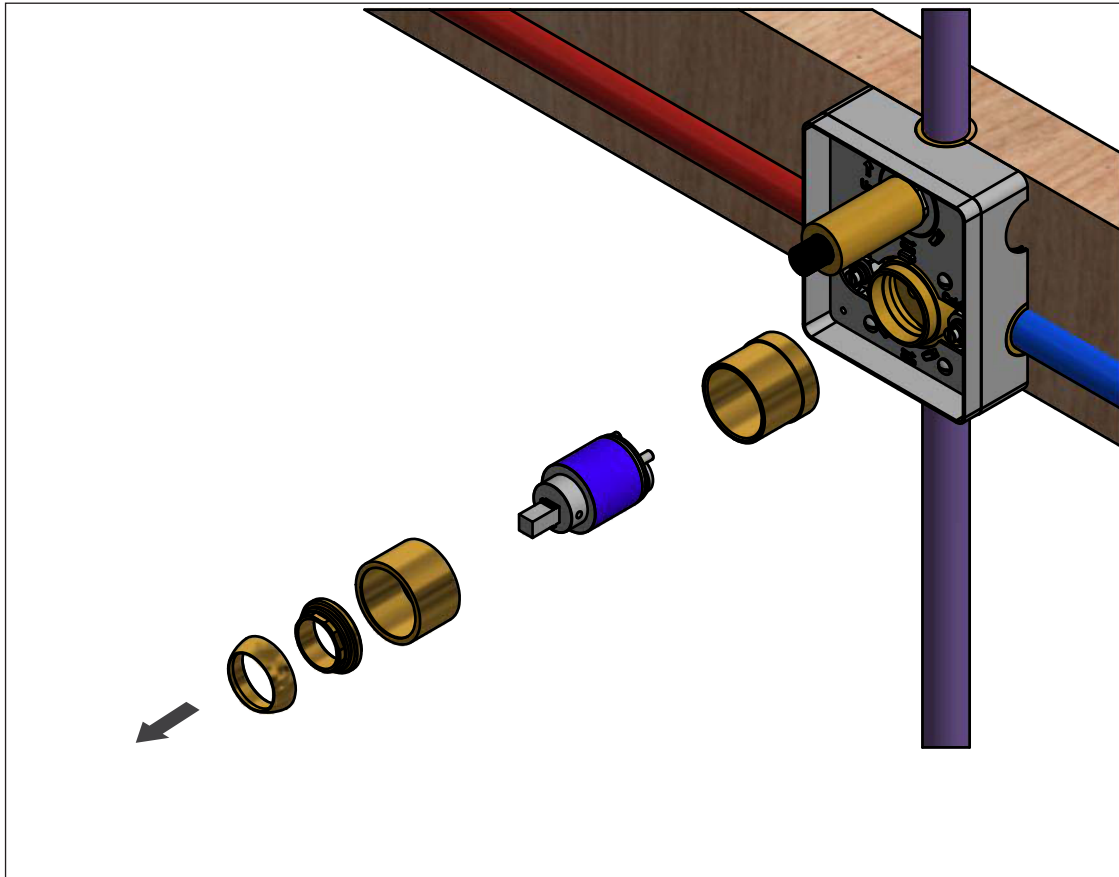
Remove Diverter Trim Piece

INSTALLING EXTENSIONS TO THE VALVE - OPTIONAL



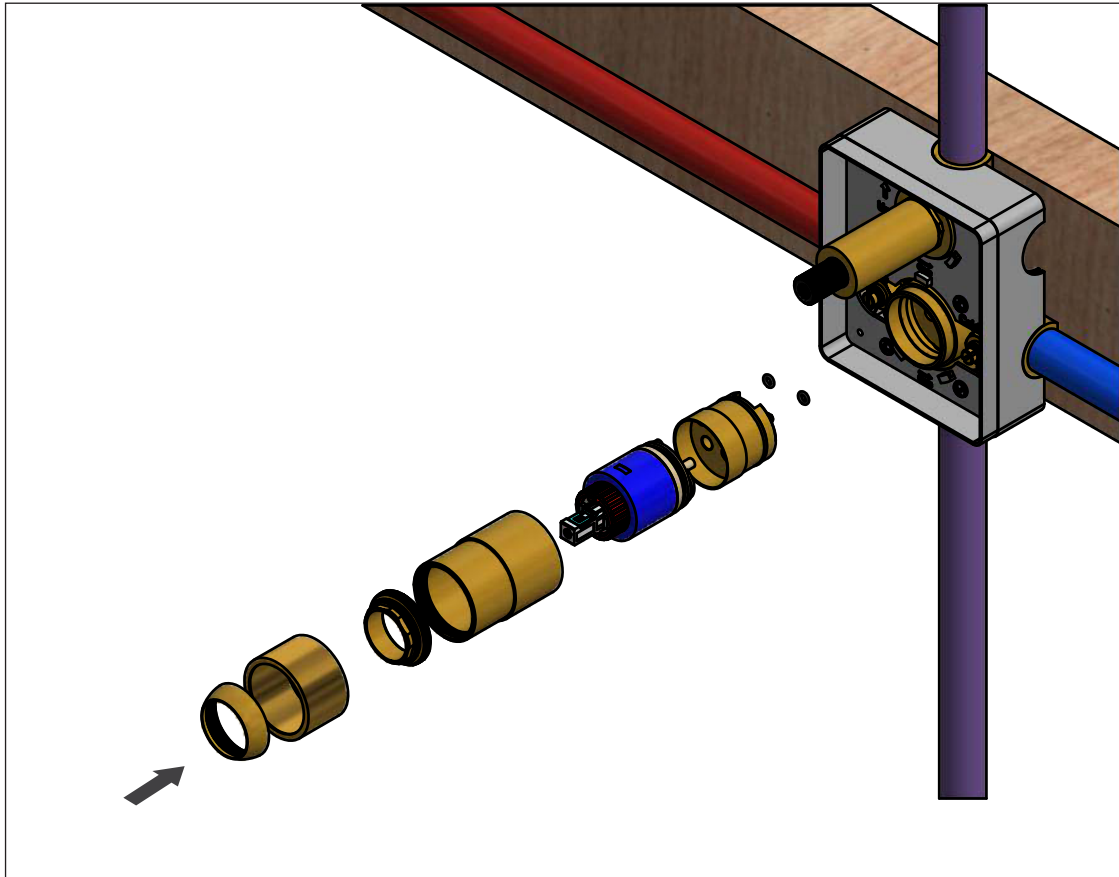
Insert Diverter Extension

INSTALLING EXTENSIONS TO THE VALVE - OPTIONAL



Remove Temperature Trim Piece

INSTALLING EXTENSIONS TO THE VALVE - OPTIONAL



Insert Temperature Extensions

* Make sure to use grease to avoid O-ring from falling off