

Installation Manual

MSS.15S - 15" Rain Head With Mist

MSS.15R - 15" Rain Head With Mist

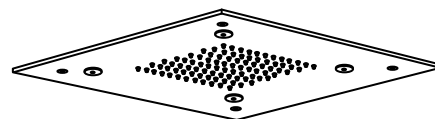
MSS.12S - 12" Rain Head With Mist

NOTICE TO HOMEOWNER

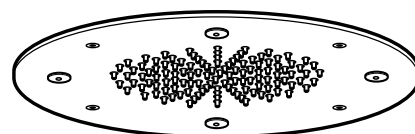
- We recommend that this product is installed by a qualified professional plumber.
- Please check this product immediately to ensure that it has not been damaged and is complete. Before installation, please make sure this product is the correct model and you have all the parts required for installation and use.
- Please flush the water system to ensure that no metal swarf, solder, and other impurities can enter the product.
- Turn off water supply before commencing work.
- Please read these instructions carefully and retain for future reference.

BEFORE YOU BEGIN

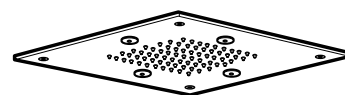
- You must observe all local plumbing laws and codes.
- Do not install this valve if it does not meet local plumbing codes.
- Shut off the main water supply.



MSS.15S



MSS.15R



MSS.12S

Installation Manual

MSS.15S - 15" Rain Head With Mist

MSS.15R - 15" Rain Head With Mist

MSS.12S - 12" Rain Head With Mist

TABLE OF CONTENTS

• Operating Specifications	1
• Mounting Dimensions / Height Placement.	2
• Installation Instructions	5

OPERATING SPECIFICATIONS

WATER TEMPERATURE



This product is to be used with water at a temperature range of 40°F - 120°F ONLY!

WATER PRESSURE

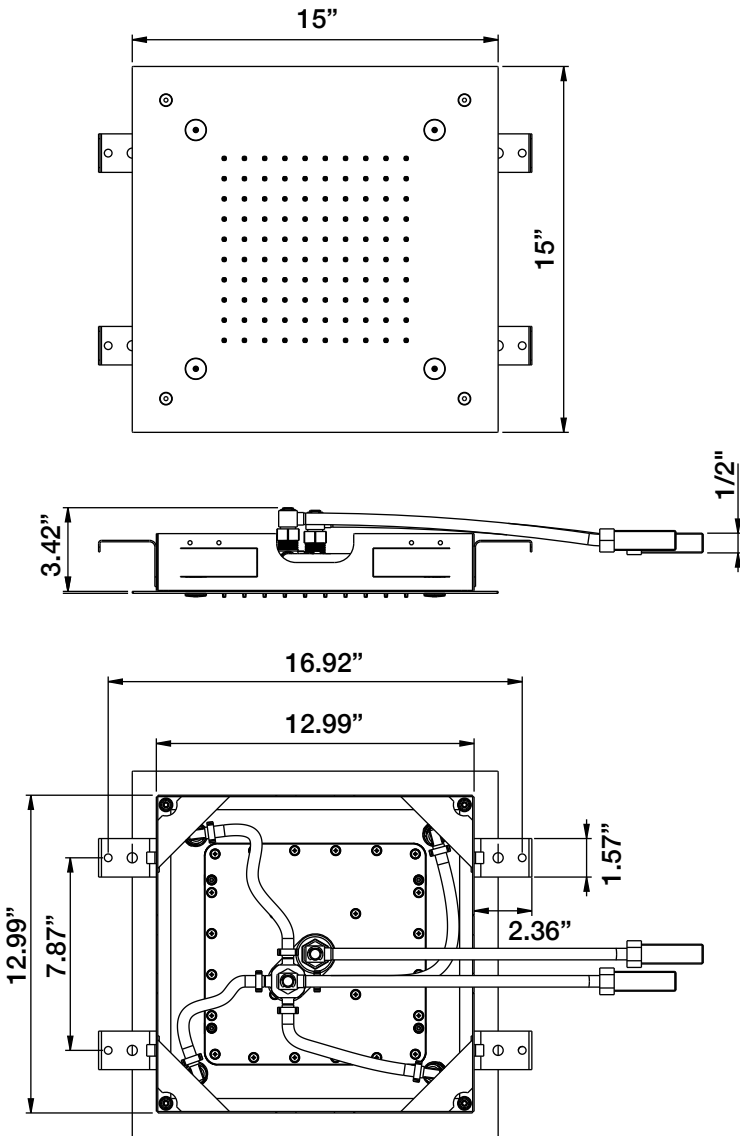


This product is to be used with a water pressure range of 15 PSI to 72 PSI ONLY

If water pressure is greater than 72 PSI install a pressure reducing valve (PRV)

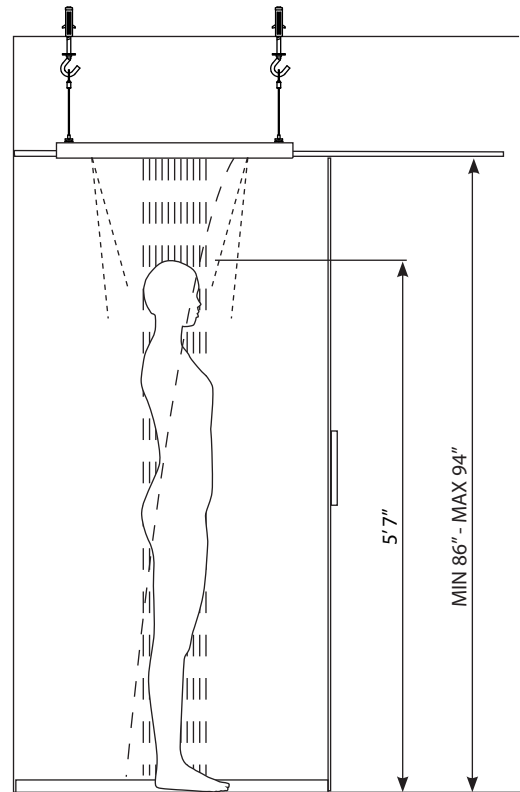
MOUNTING DIMENSIONS - MSS.15S

The MSS.15S installs flush into the ceiling. Review the dimensions on the right to ensure that adequate area is left for fixing the mounting brace into the ceiling.



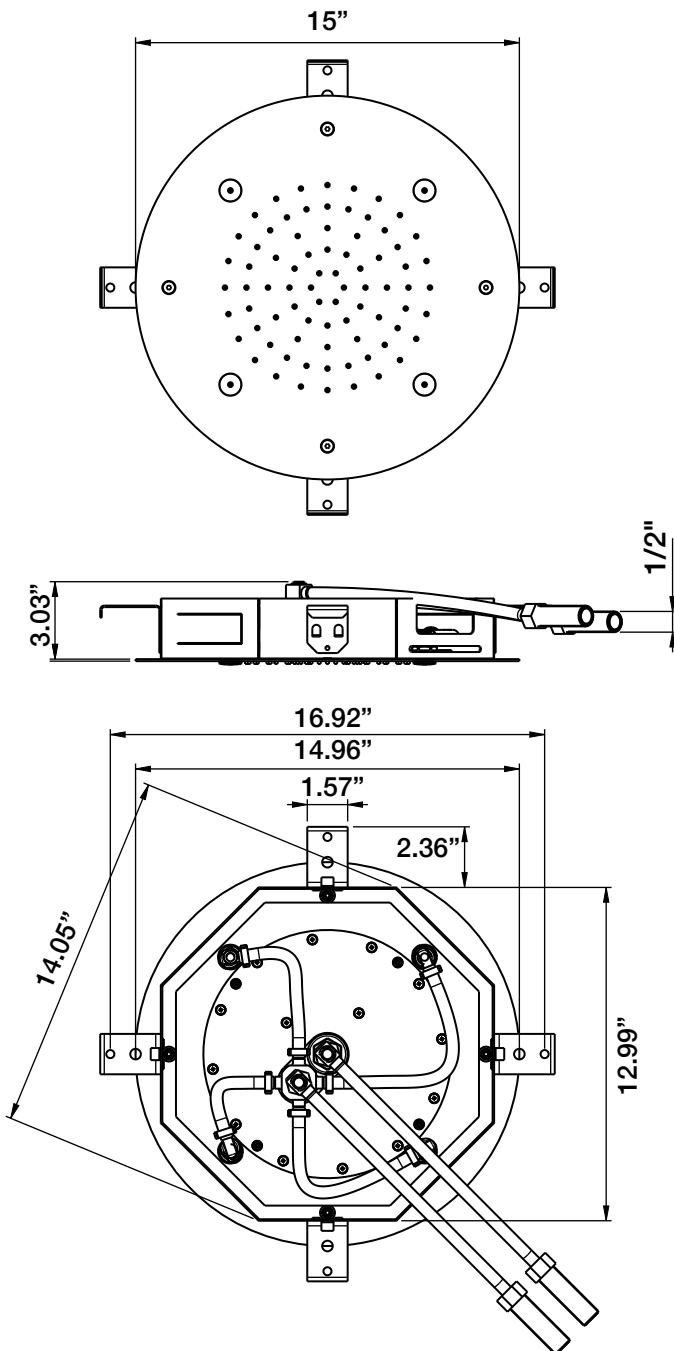
RAIN HEAD HEIGHT PLACEMENT - MSS.15S

The MSS.15S will operate optimally if the below height install specifications are followed.



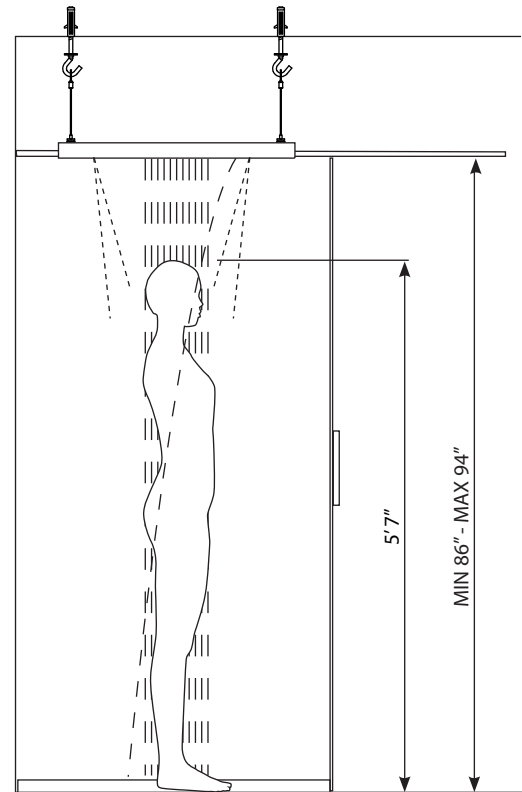
MOUNTING DIMENSIONS - MSS.15R

The MSS.15R installs flush into the ceiling. Review the dimensions on the right to ensure that adequate area is left for fixing the mounting brace into the ceiling.



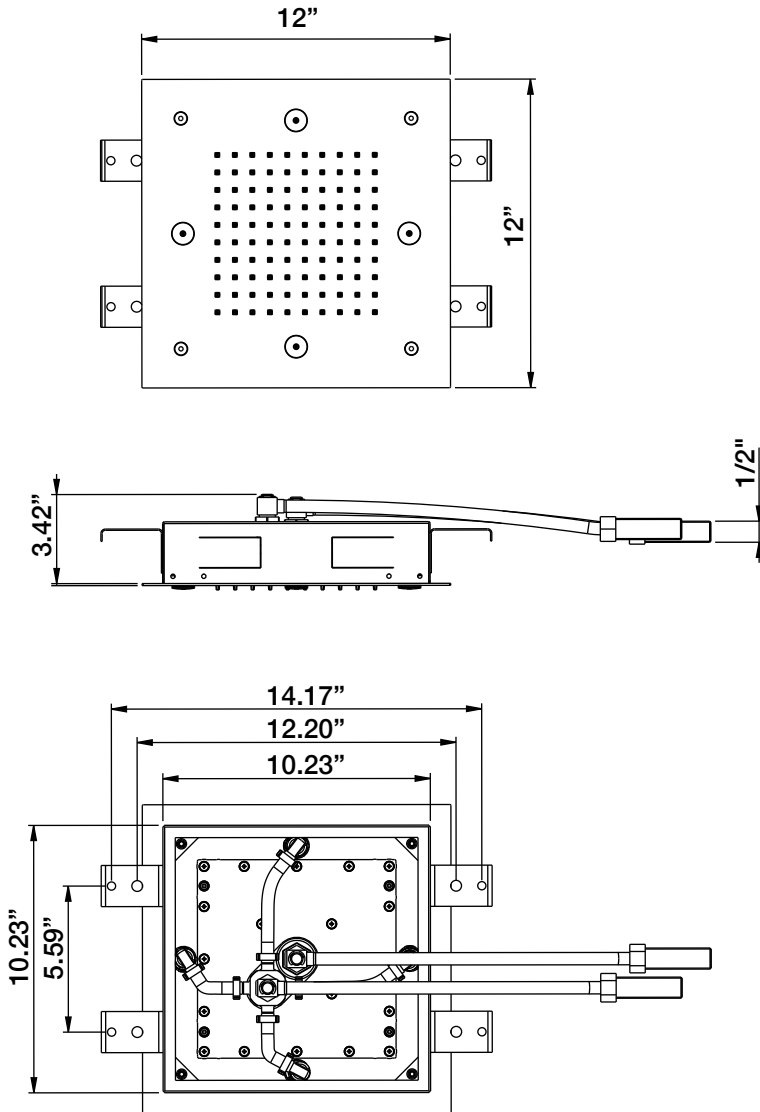
RAIN HEAD HEIGHT PLACEMENT - MSS.15R

The MSS.15R will operate optimally if the below height install specifications are followed.



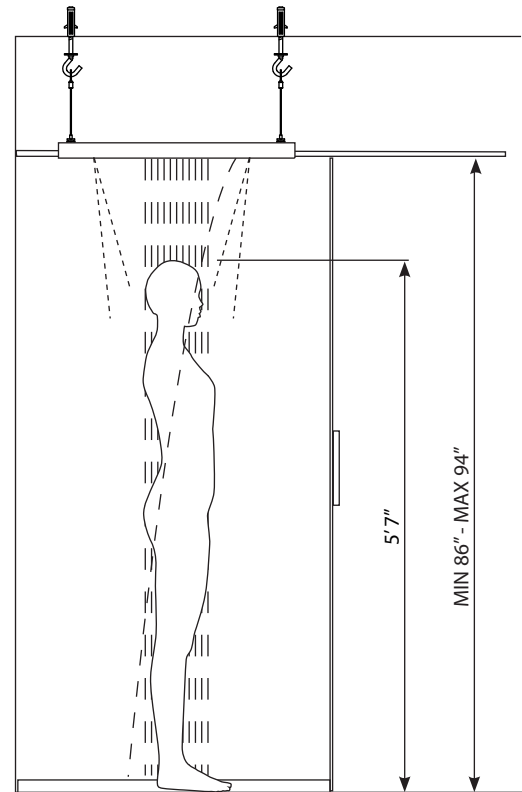
MOUNTING DIMENSIONS - MSS.12S

The MSS.12S installs flush into the ceiling. Review the dimensions on the right to ensure that adequate area is left for fixing the mounting brace into the ceiling.



RAIN HEAD HEIGHT PLACEMENT - MSS.12S

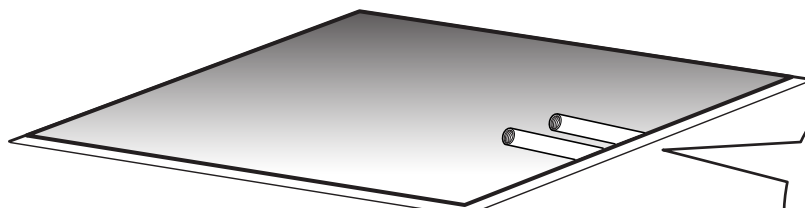
The MSS.12S will operate optimally if the below height install specifications are followed.



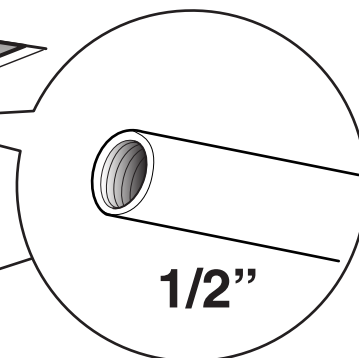
INSTALLATION INSTRUCTIONS

Measure mounting brace and create square cut out in ceiling. Provide 1/2" connections (2x) for water output.

FOR MSS.12S / MSS.15S

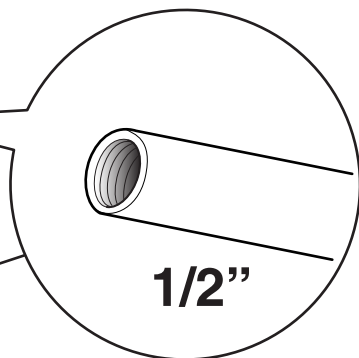
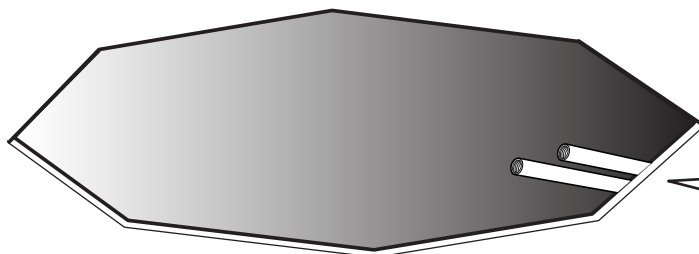


Note: - 1st Supply line goes to the rain shower. 2nd supply line connects to the Cascade flow cartridge. 3rd supply line connects to mist flow

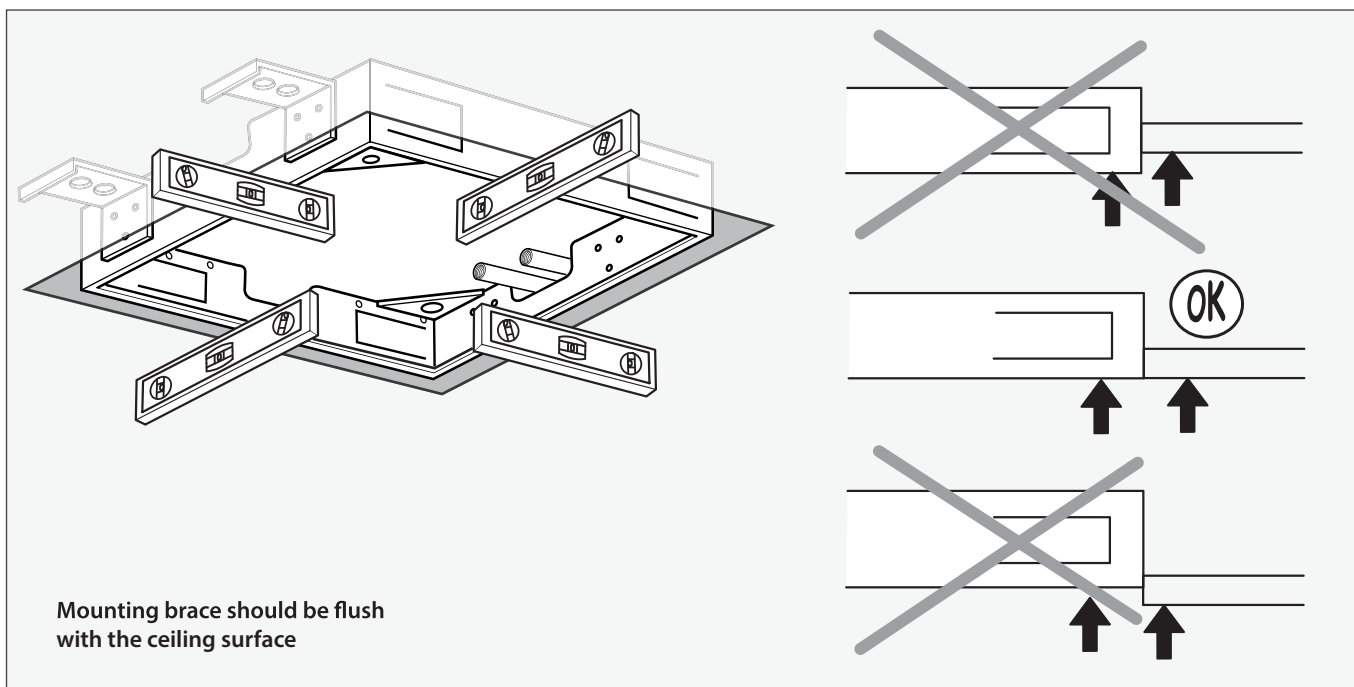
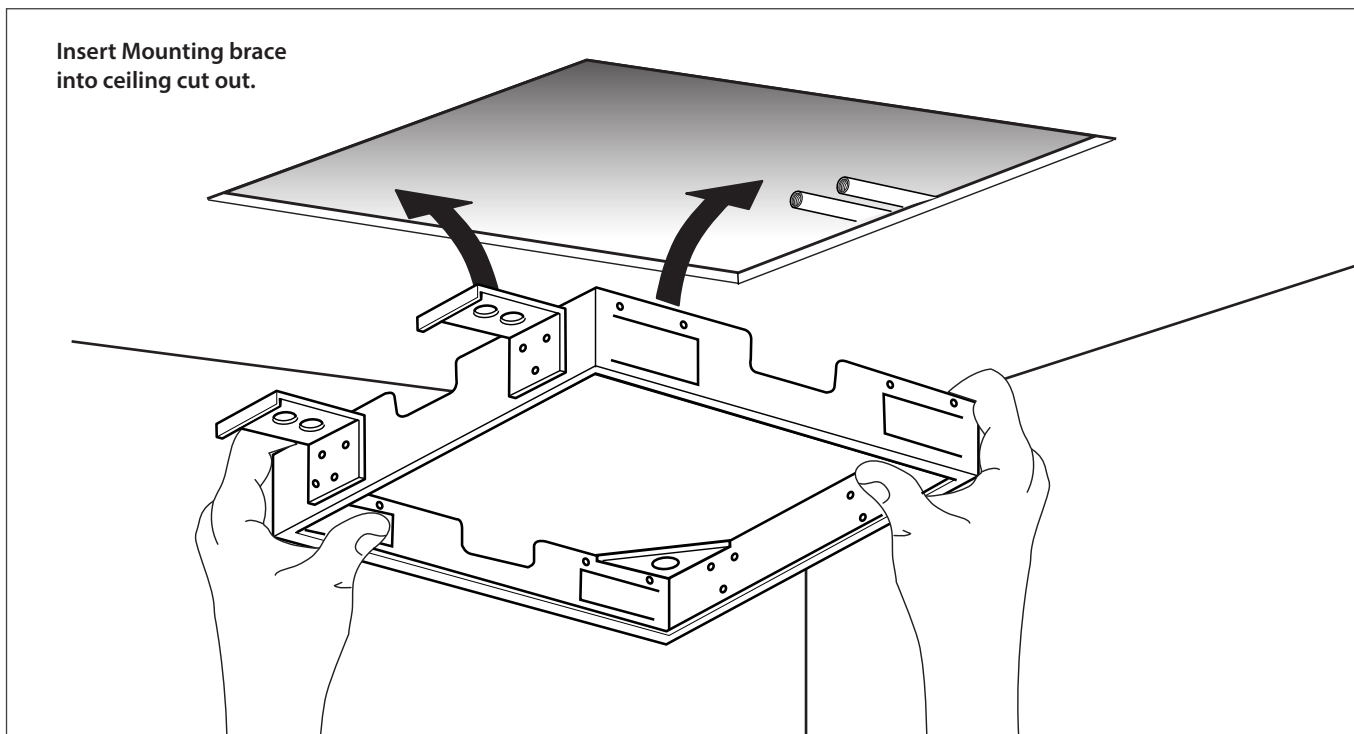


Measure mounting brace and create octagonal cut out in ceiling. Provide 1/2" connections (2x) for water output.

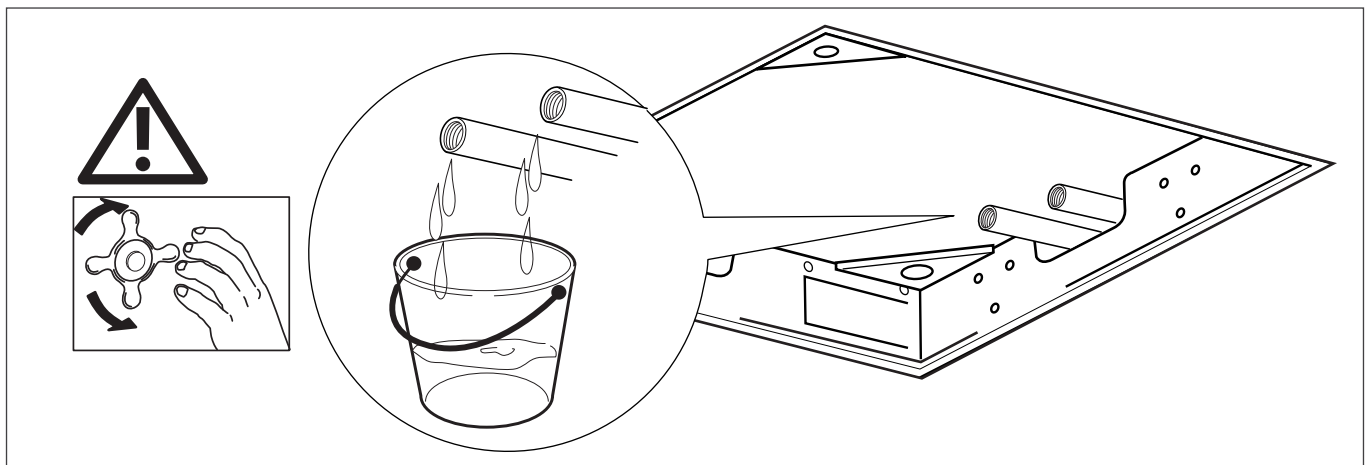
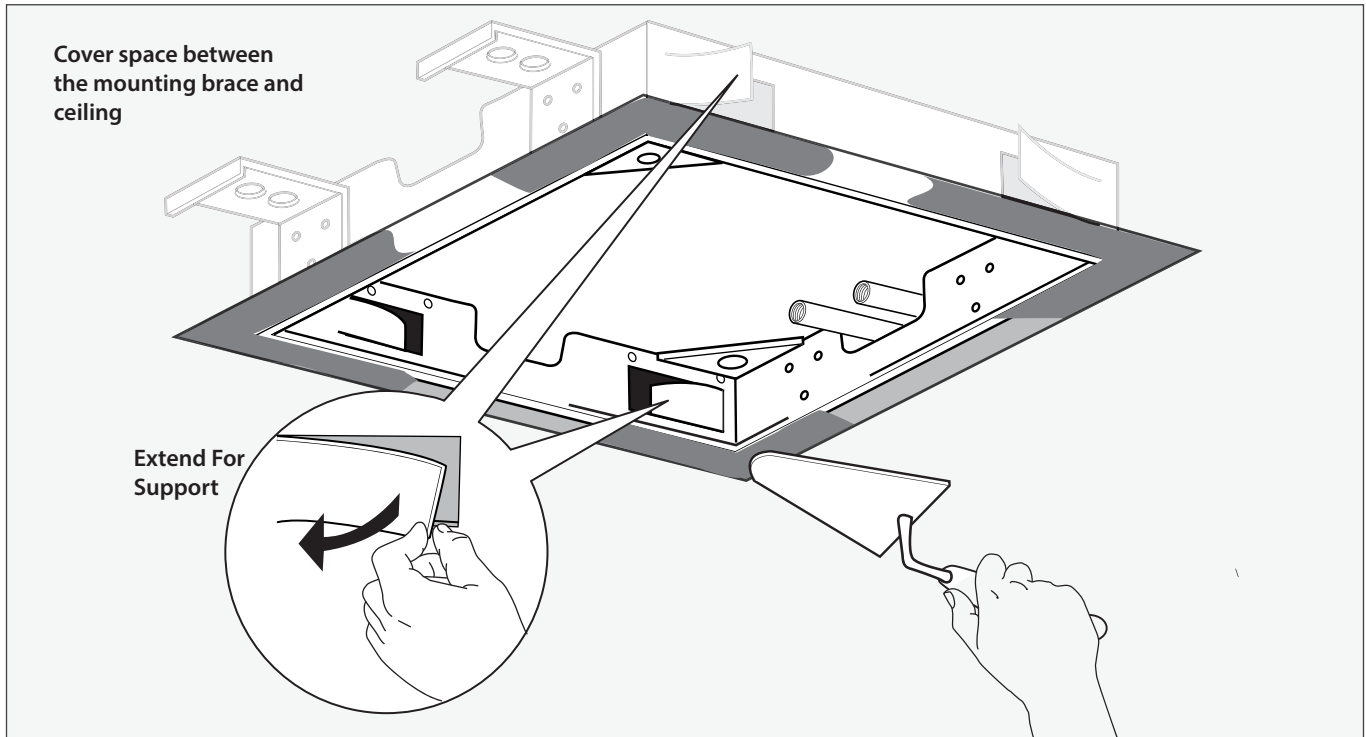
FOR MSS.15R



INSTALLATION INSTRUCTIONS

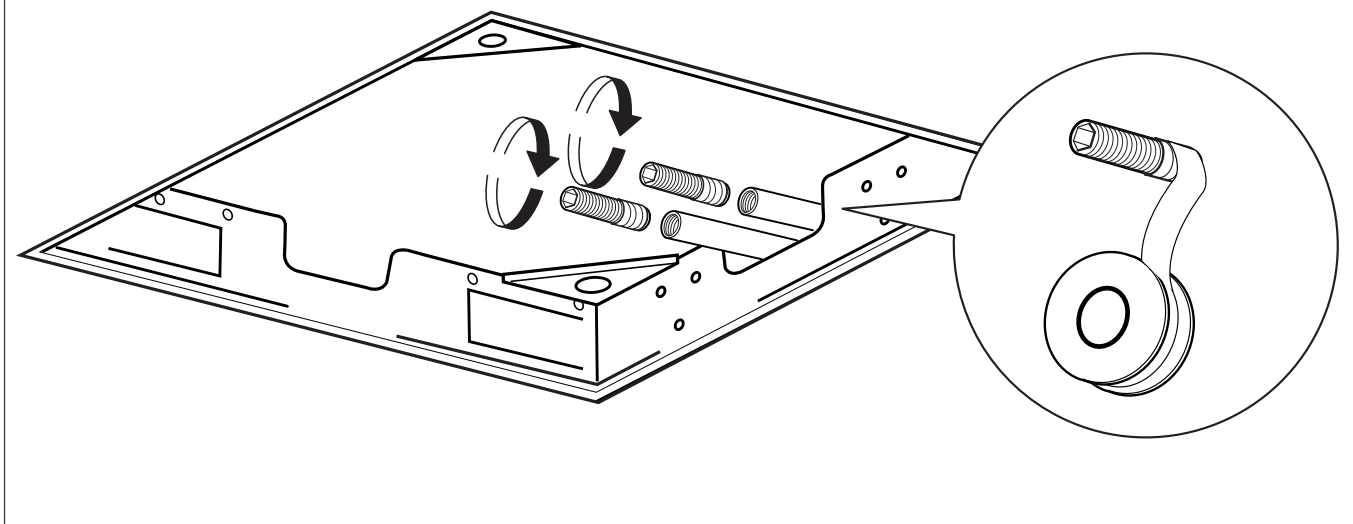


INSTALLATION INSTRUCTIONS



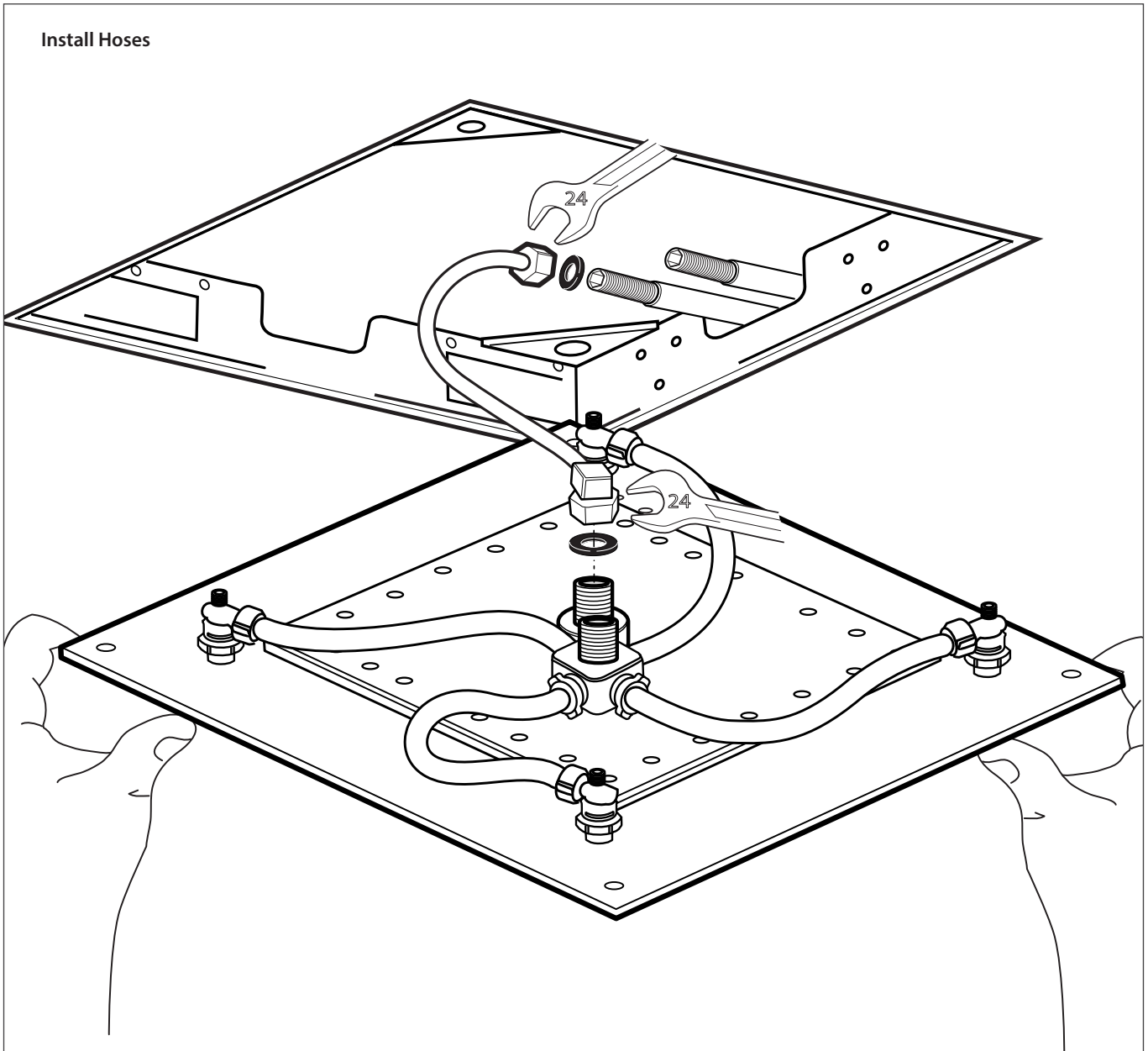
INSTALLATION INSTRUCTIONS

Install Connectors

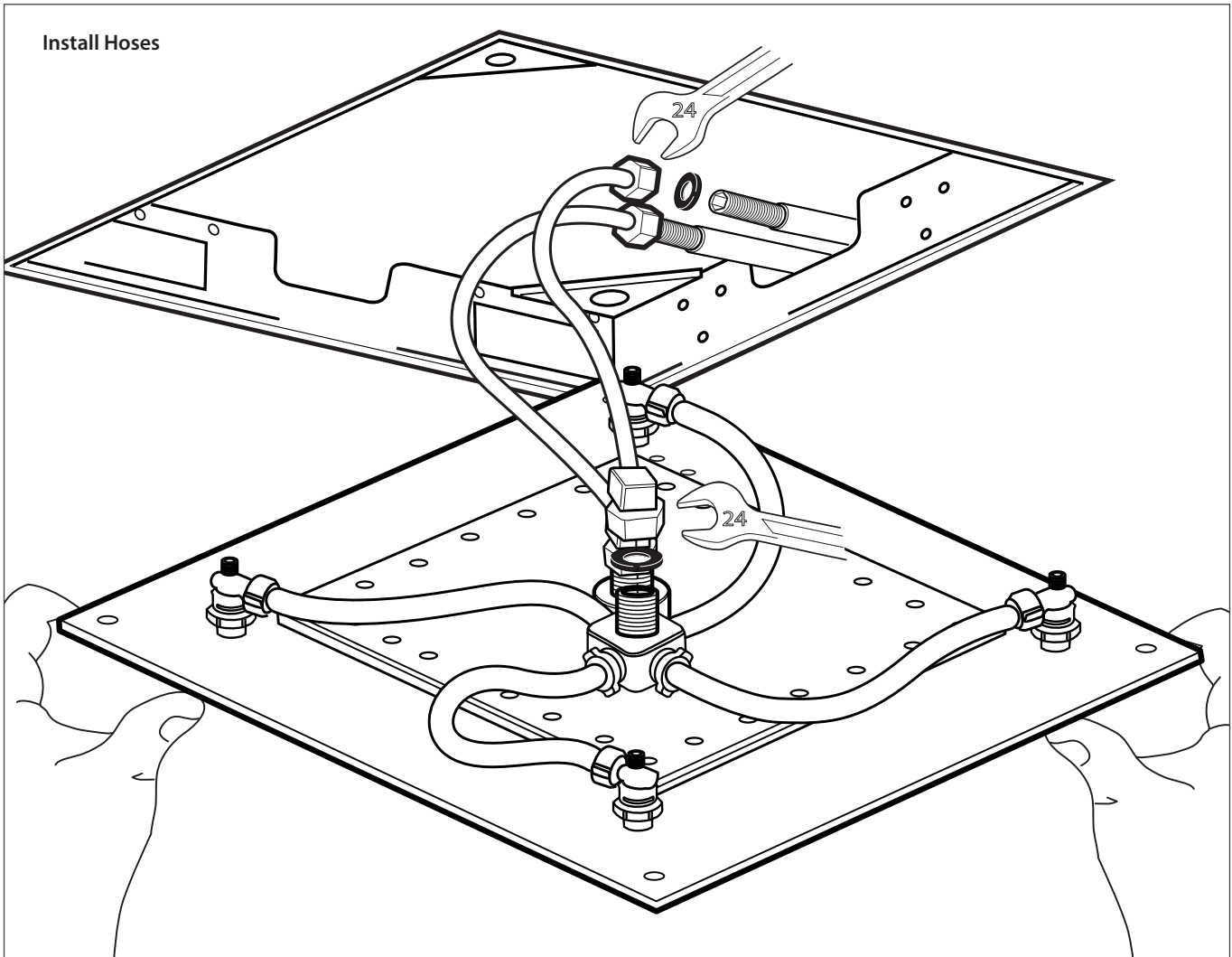


INSTALLATION INSTRUCTIONS

Install Hoses



INSTALLATION INSTRUCTIONS



INSTALLATION INSTRUCTIONS

