

Installation Manual For CU.1004R / CU.1004L

WALL MOUNT TUB SPOUT

BEFORE YOU BEGIN

- You must observe all local plumbing laws and codes.
- Do not instal valve if it does not meet local plumbing codes.
- Shut off the main water supply.

NOTICE TO HOMEOWNER

- We recommend that this product is installed by a qualified professional plumber.
- Please check this product immediately to ensure that it has not been damaged and is complete. Before installation, please make sure this product is the correct model and you have all the parts required for installation and use.

CAUTION

Please flush the water system to ensure that no metal swarf, solder, and other imputities can enter the product before installation has begun.

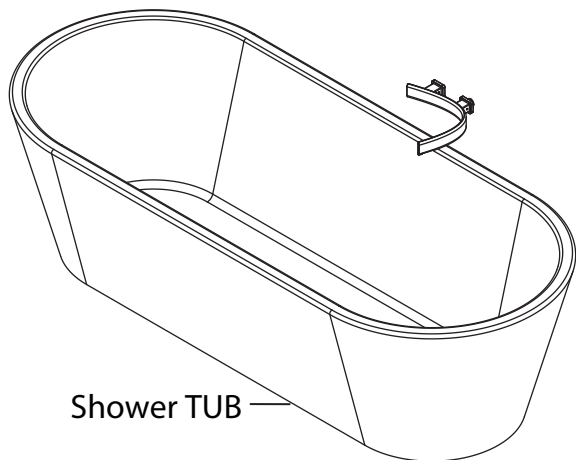
IMPORTANT

Install the wall mount faucet, as shown in the illustrations below, approximately 4-6 Inches above the surface of the Tub.

Tools Needed:

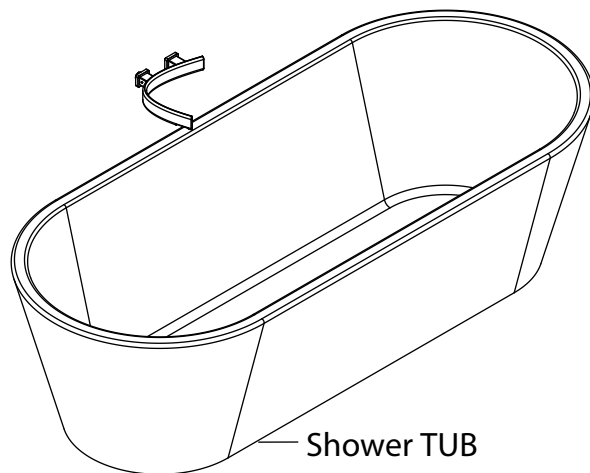
- 1) Hex wrench 1.5mm
- 2) Drill Machine
- 3) Screw Driver

CU.1004R

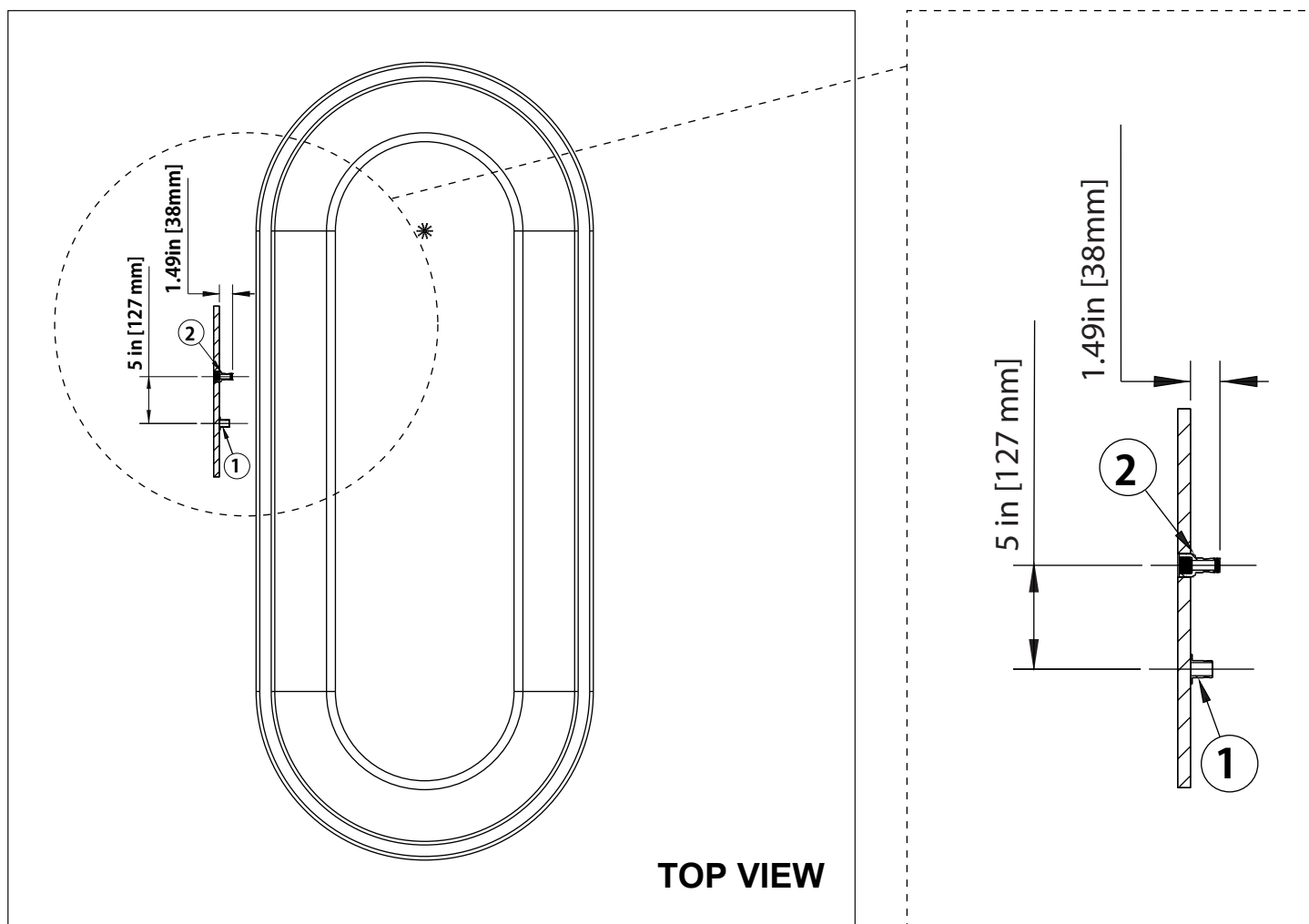


Shower TUB

CU.1004L



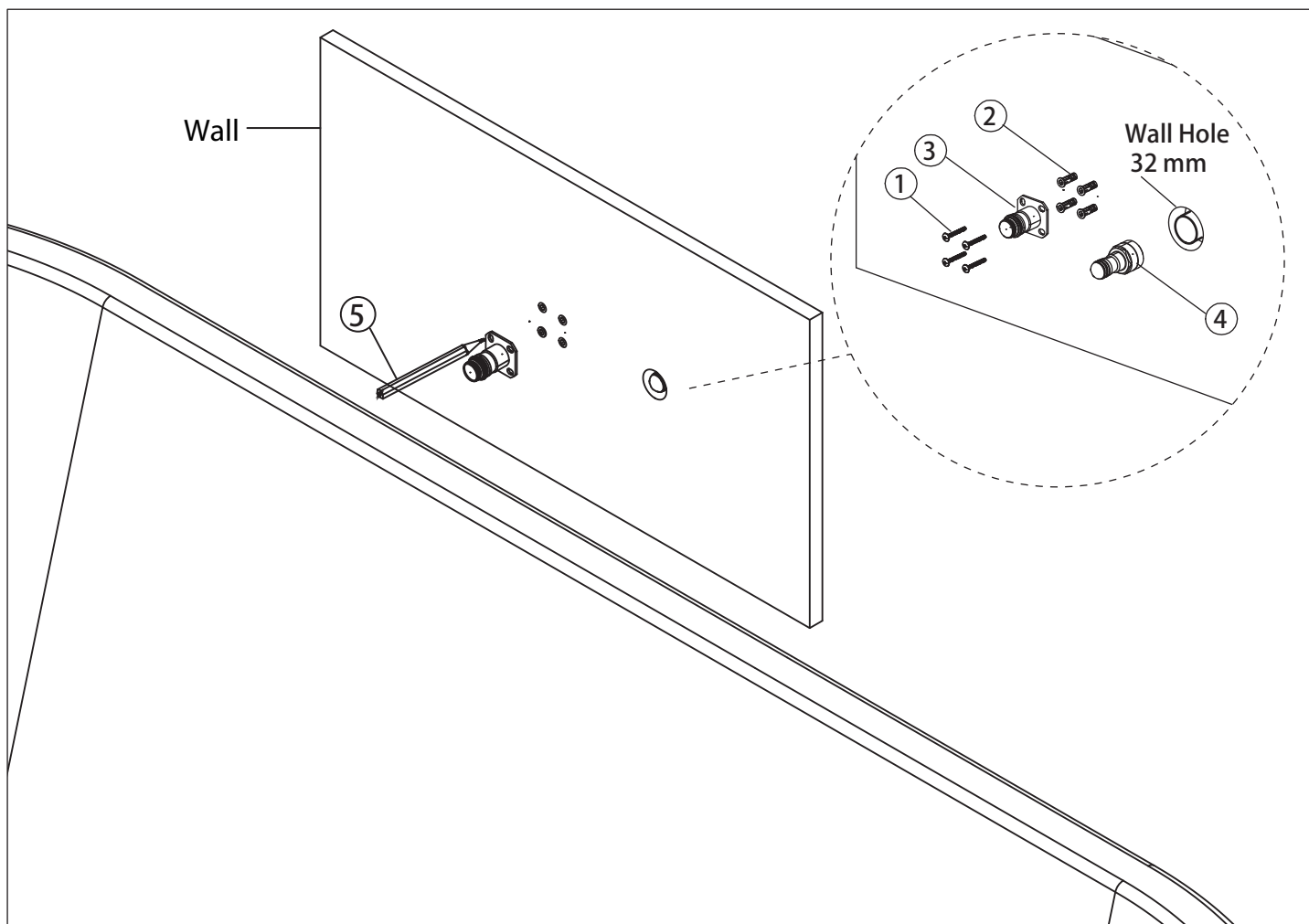
Shower TUB



STEP 1

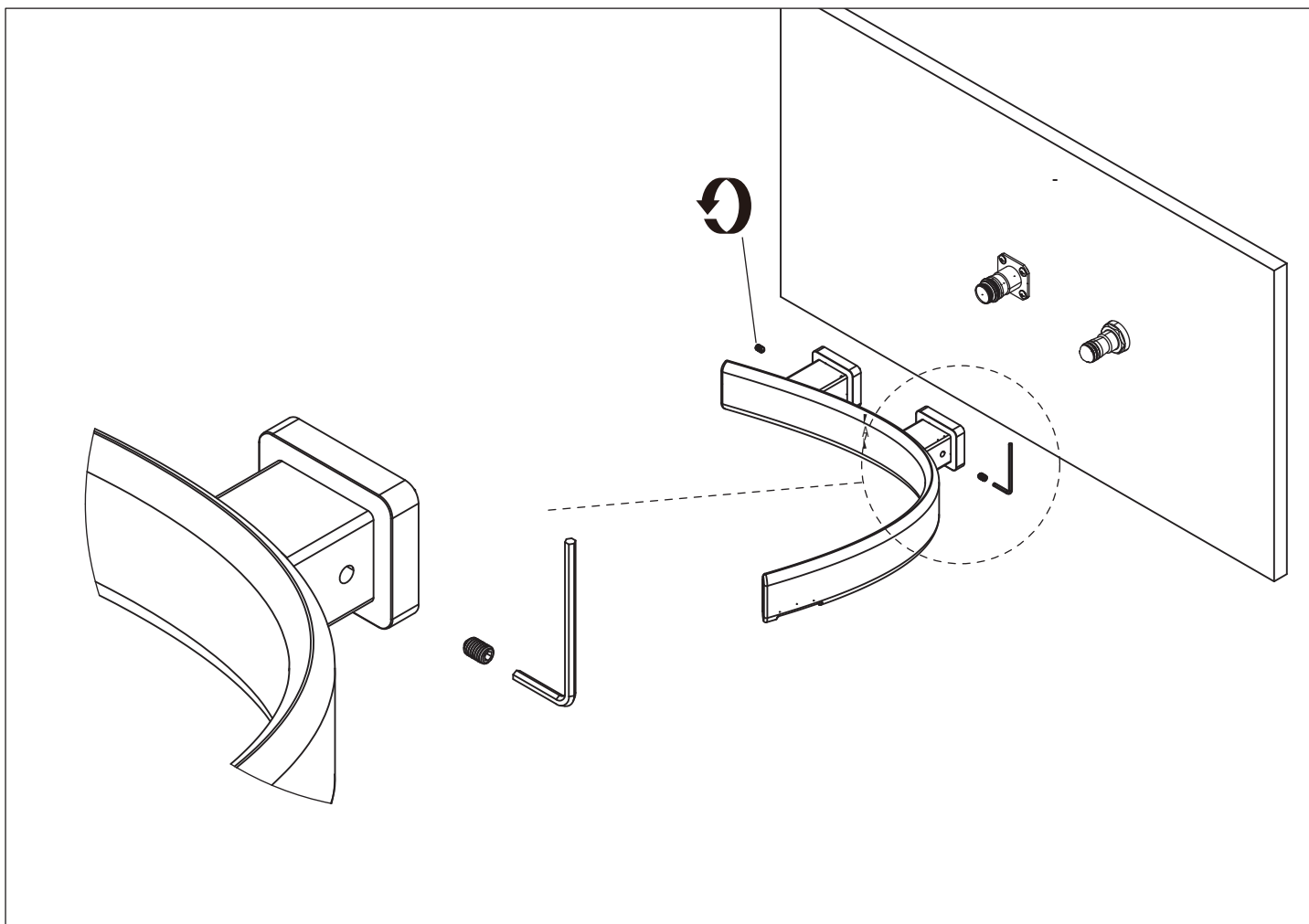
A) Before installation please confirm the position of the spout with respect to the tub so that the water lands into the right are of the tub as desired.

B) Confirm the position of the top mounting seat (1) and female 1/2" NPT adaptor (2)



STEP 2

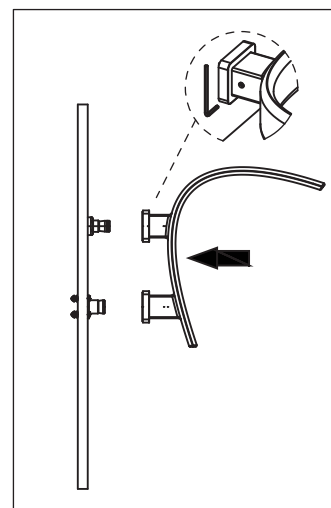
- C) Mark the locations for the screws and then drill the four holes [6mm diameter] for the screws (5)
- D) Secure the mounting seat (3) using screws (1) and wall plugs (2).
- E) Thread the female 1/2" NPT adaptor (4) into the female water supply connector in the wall.

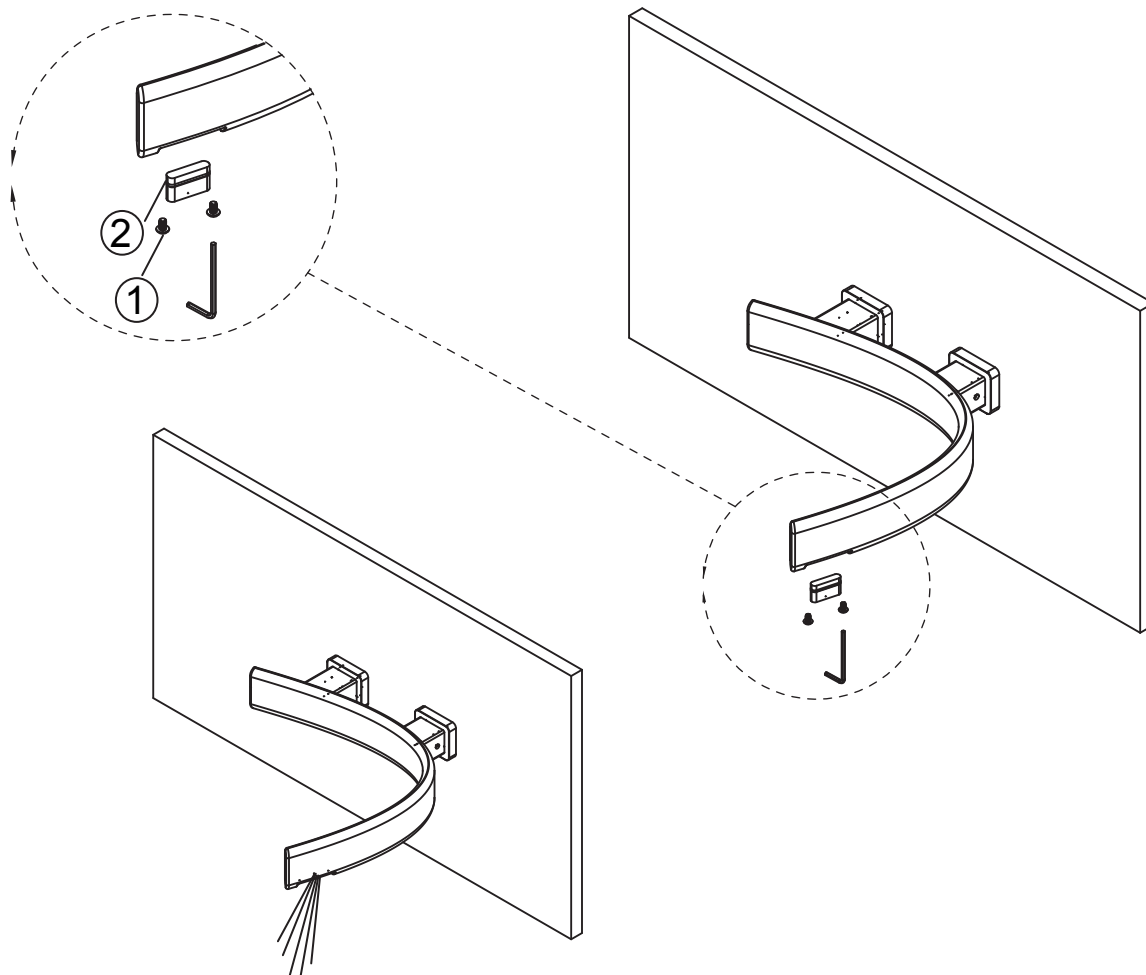


STEP 3

F) Loosen the hex screws from the faucet with an allen wrench. Loosen the same screws on the opposite side in the same way.

g) Install the faucet onto the mounting seat and female 1/2" NPT adaptor by sliding in towards the wall





STEP 4

H) After installation is complete, loosen the set screw (1) with a 1.5mm allen key and then remove the aerator (2) with aerator wrench.