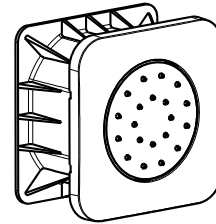
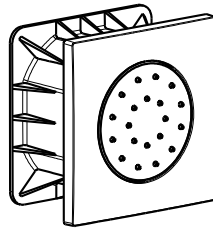
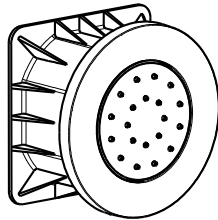


# Installation Manual For Body Jets

100.6410 / 160.6410 / 196.6410



## NOTICE TO HOMEOWNER

- We recommend that this product is installed by a qualified professional plumber.
- Please check this product immediately to ensure that it has not been damaged and is complete. Before installation, please make sure this product is the correct model and you have all the parts required for installation and use.
- Please flush the water system to ensure that no metal swarf, solder, and other impurities can enter the product.
- Turn off water supply before commencing work.
- Please read these instructions carefully and retain for future reference.

## BEFORE YOU BEGIN

- You must observe all local plumbing laws and codes.
- Do not install this valve if it does not meet local plumbing codes.
- Shut off the main water supply.

# Installation Manual For Body Jets

100.6410 / 160.6410 / 196.6410

## TABLE OF CONTENTS

• Operating Specifications . . . . .	1
• Cut-Out Dimensions / Rough In Spec . . . . .	2
• Installation Instructions . . . . .	3

## OPERATING SPECIFICATIONS

### WATER TEMPERATURE



This product is to be used with water at a temperature range of 40°F - 120°F ONLY!

### WATER PRESSURE

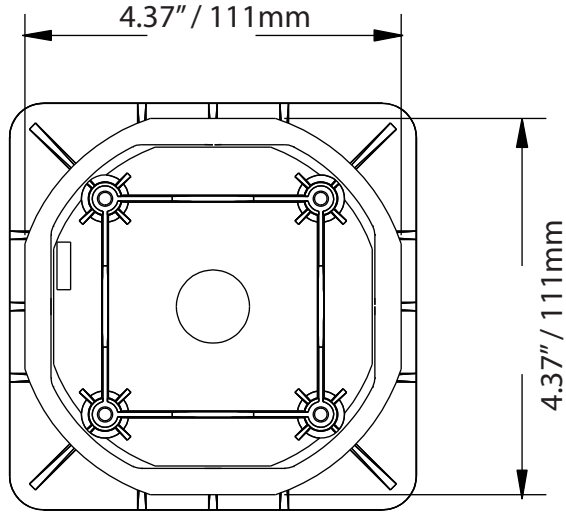


This product is to be used with a water pressure range of 15 PSI to 72 PSI ONLY

If water pressure is greater than 72 PSI install a pressure reducing valve (PRV)

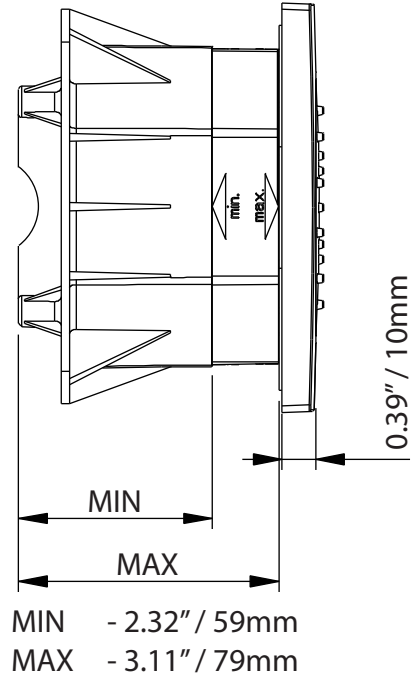
## CUT OUT DIMENSIONS

The 6410 series body jets have a valve casing. The cut-out dimensions for this purpose can be seen below

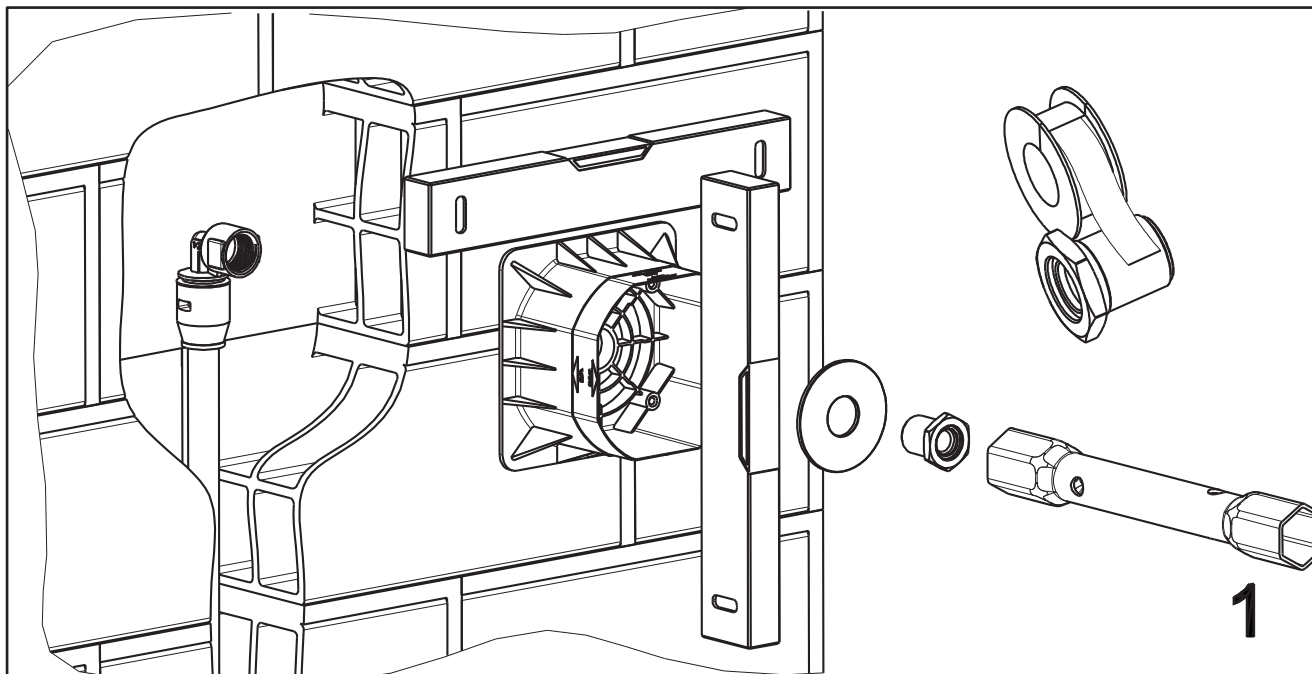


## ROUGH IN SPEC

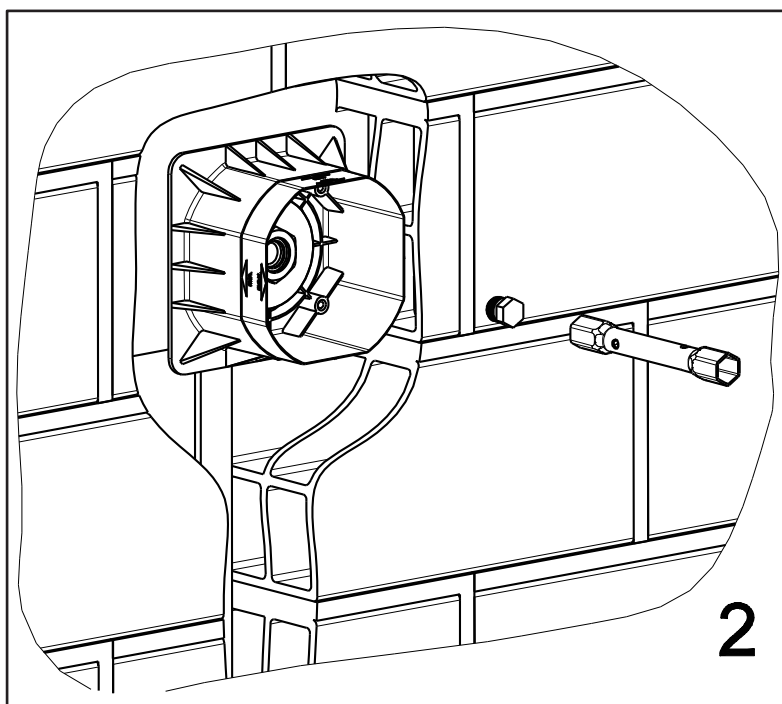
The 6410 series body jets have a rough in spec which can be seen below for easy installation.



INSTALLATION INSTRUCTIONS



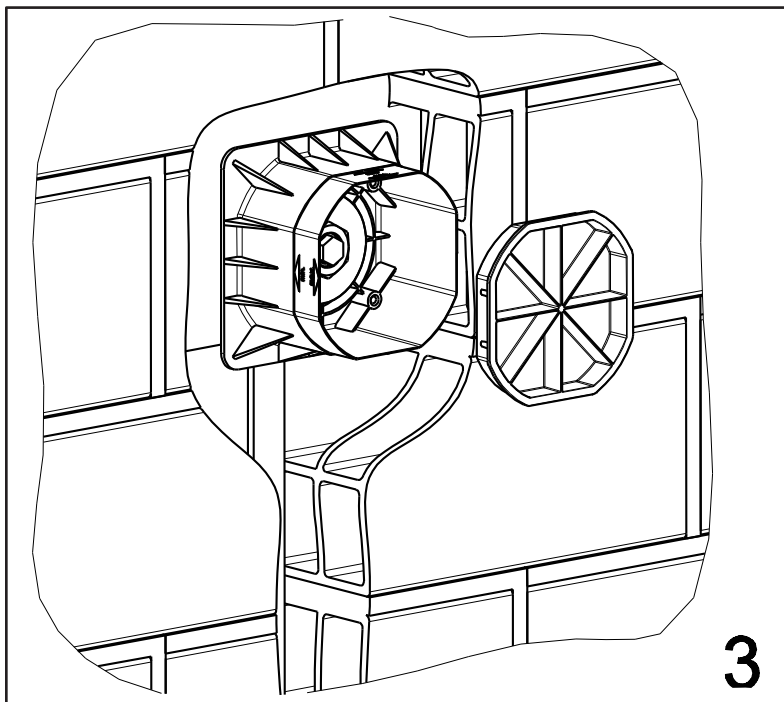
The body jet will require a 1/2" NPT - Female connection in the wall. Install at appropriate depth as per rough in specifications. Ensure valve is level when screwed into the wall. Insert and tighten 1/2" male connection.



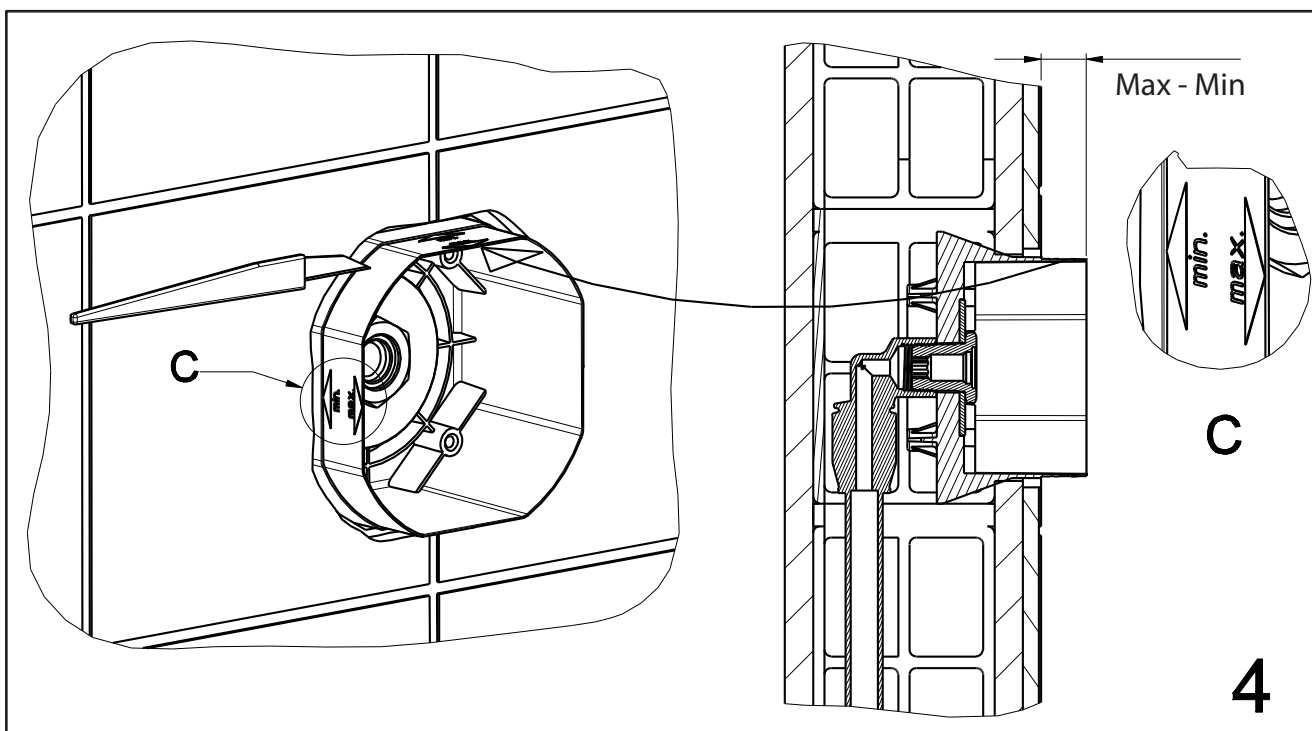
Secure valve casing to with appropriate screws provided.

Insert and tighten 1/2" stop.

INSTALLATION INSTRUCTIONS

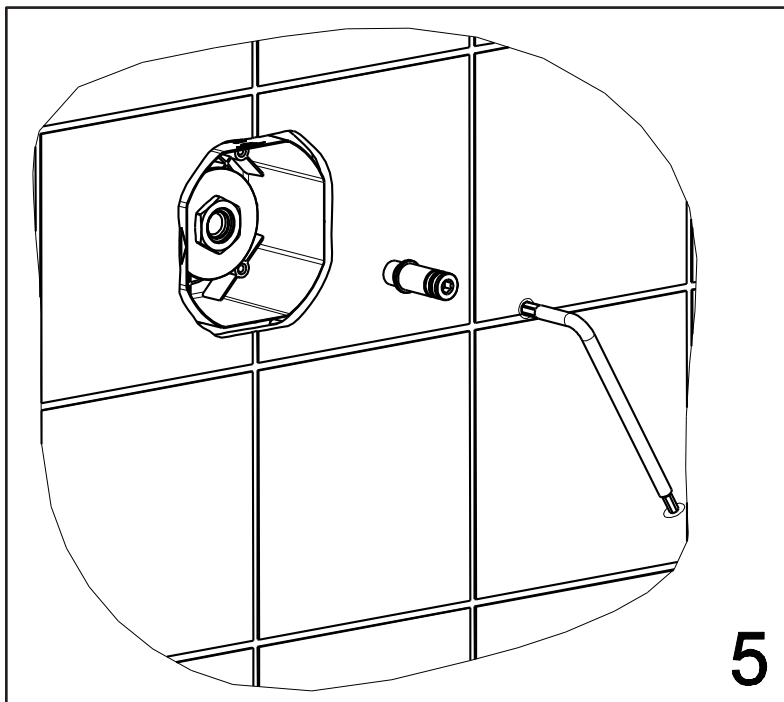


Install protective plastic cover.

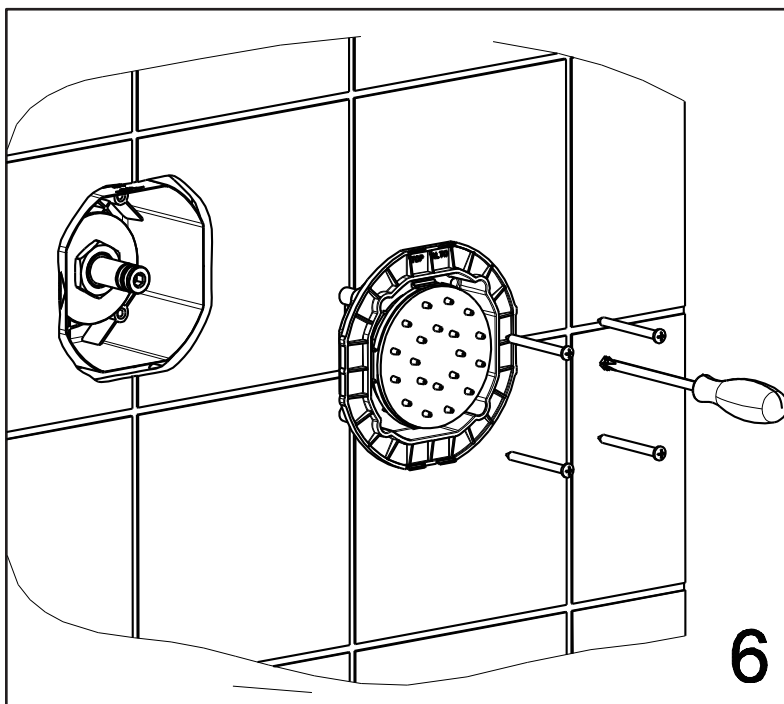


Install tile and cut extra plastic to ensure that valve casing is flush with tile.

## INSTALLATION INSTRUCTIONS



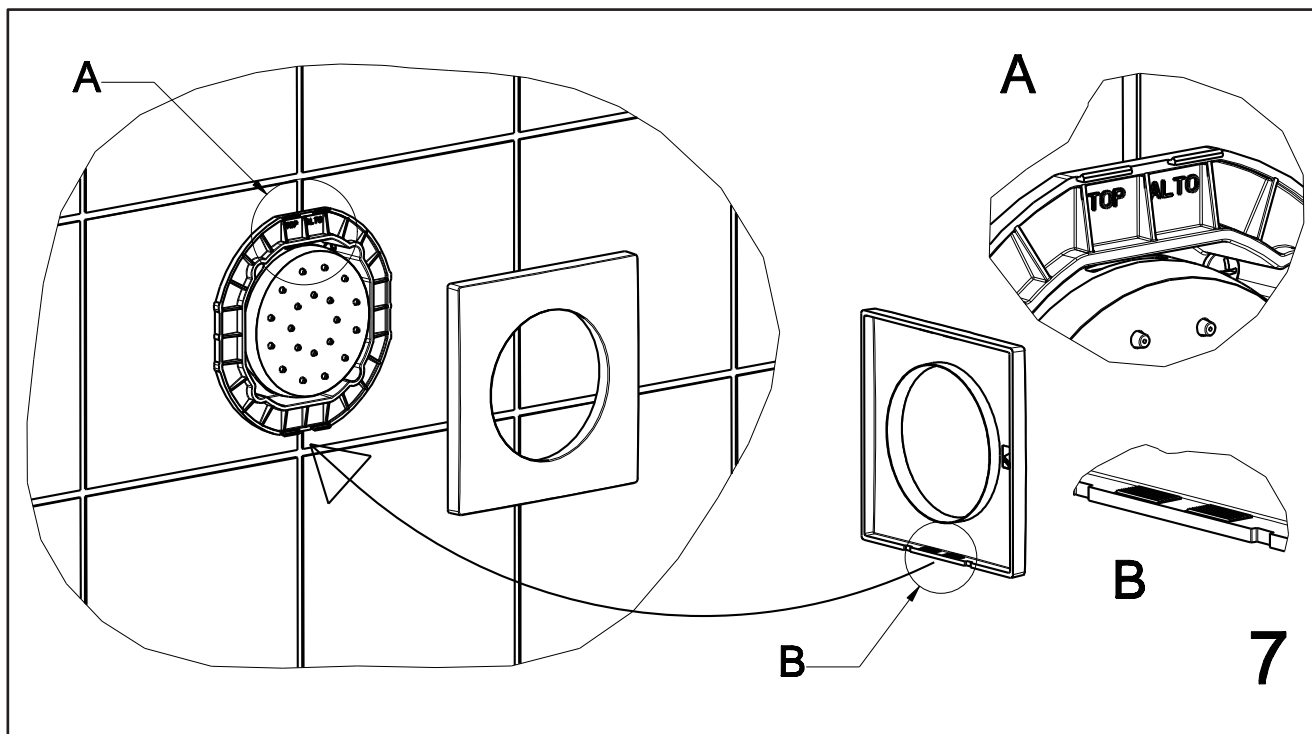
Install Brass extension piece.



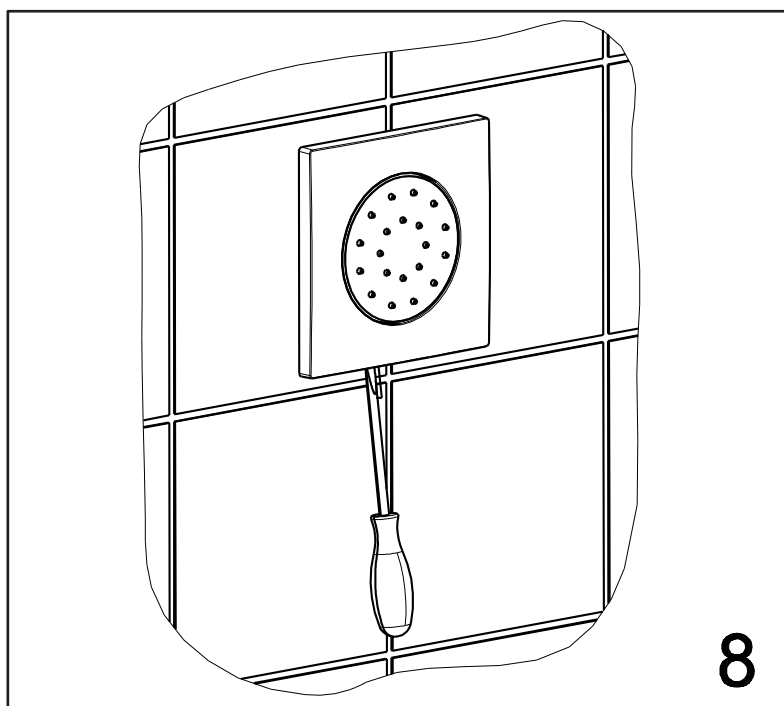
Install body jet cartridge using provided screws.

Ensure the cartridge is installed in the correct orientation - look for the "TOP" symbol.

INSTALLATION INSTRUCTIONS



Install trim plate.



The trim face plate can be removed using a screw driver as shown on the left diagram.