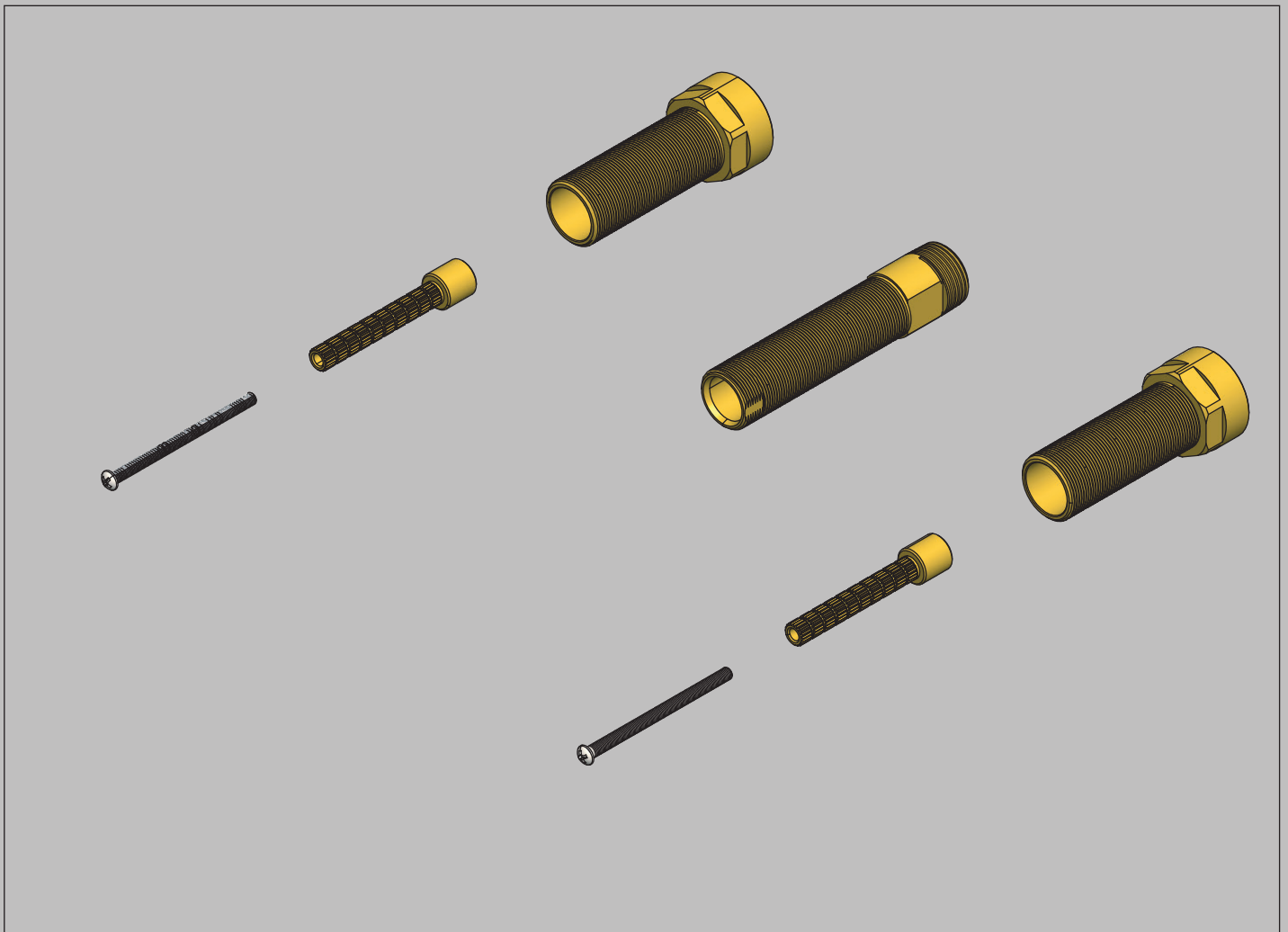


Installation Manual - 230.1950E

Wall Mount Valve WLM.1900



BEFORE YOU BEGIN

- You must observe all local plumbing laws and codes.
- Do not install this valve if it does not meet local plumbing codes.
- Shut off the main water supply.



LUXURY PLUMBING FIXTURES

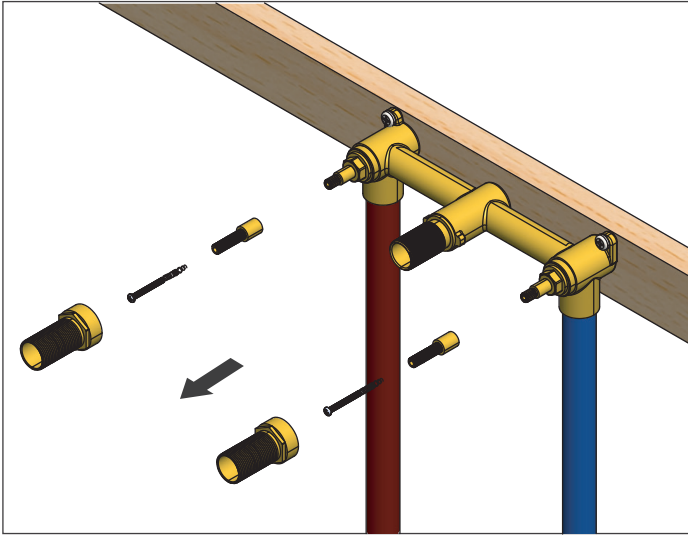
TABLE OF CONTENTS

- Installing The Extension Kit 1

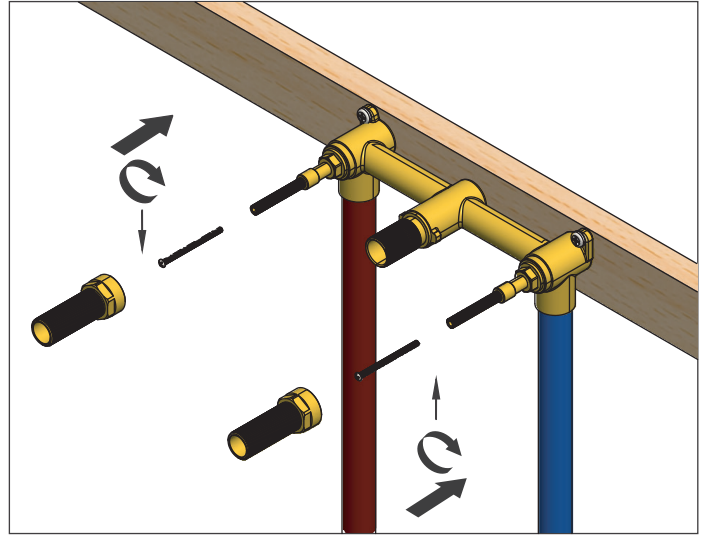
NOTICE TO HOMEOWNER

- We recommend that this product is installed by a qualified professional plumber.
- Please check this product immediately to ensure that it has not been damaged and is complete. Before installation, please make sure this product is the correct model and you have all the parts required for installation and use.
- Please flush the water system to ensure that no metal swarf, solder, and other impurities can enter the product.
- Turn off water supply before commencing work.
- Please read these instructions carefully and retain for future reference.

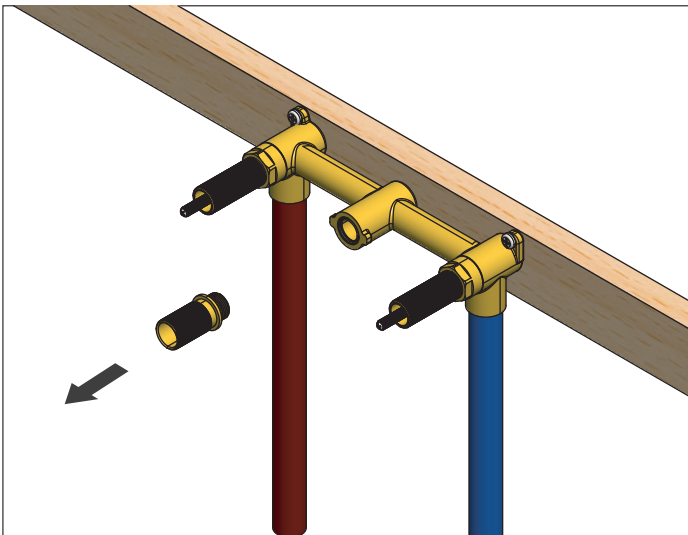
INSTALLING EXTENSIONS TO THE VALVE - OPTIONAL



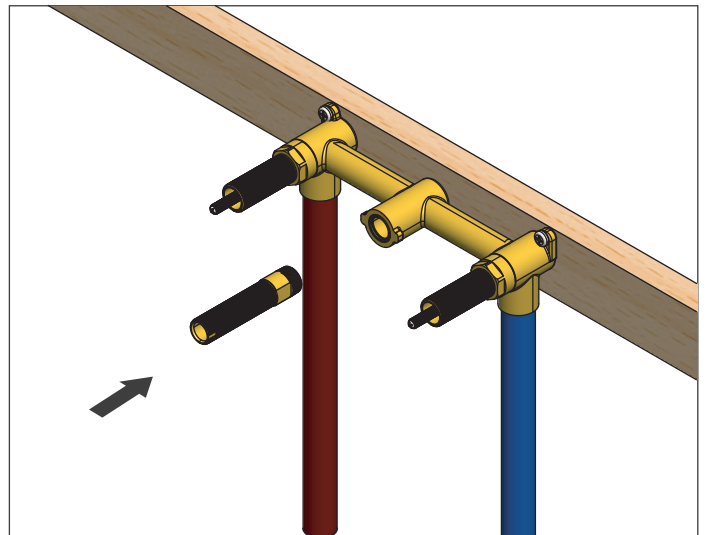
Remove existing handles and trim on handles



Install volume stem extension kit, tighten screws and then install trim piece

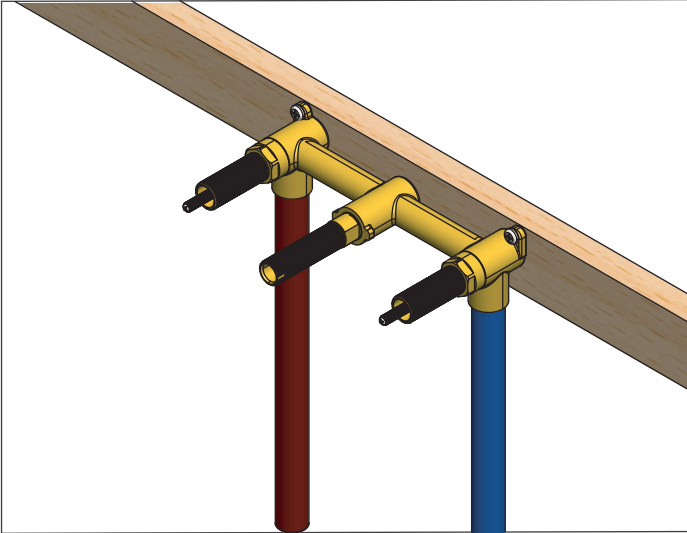


Remove existing spout piece



Insert longer spout extension piece

INSTALLING EXTENSIONS TO THE VALVE - OPTIONAL



All extension trim pieces installed shown in this illustration