



Installation Manual

196.1165

Floor Mounted Tub Filler With Hand Shower

TABLE OF CONTENTS	
• Operating Specifications	1
• Installation Procedure	2
• Proper Operation	7
• Replacing Cartridge	8
• Replacing Push/ PullDiverter	8

OPERATING SPECIFICATIONS

WATER TEMPERATURE



This product is to be used with water at a temperature range of 40°F - 120°F ONLY!

WATER PRESSURE



This product is to be used with a water pressure range of 15 PSI to 80 PSI ONLY

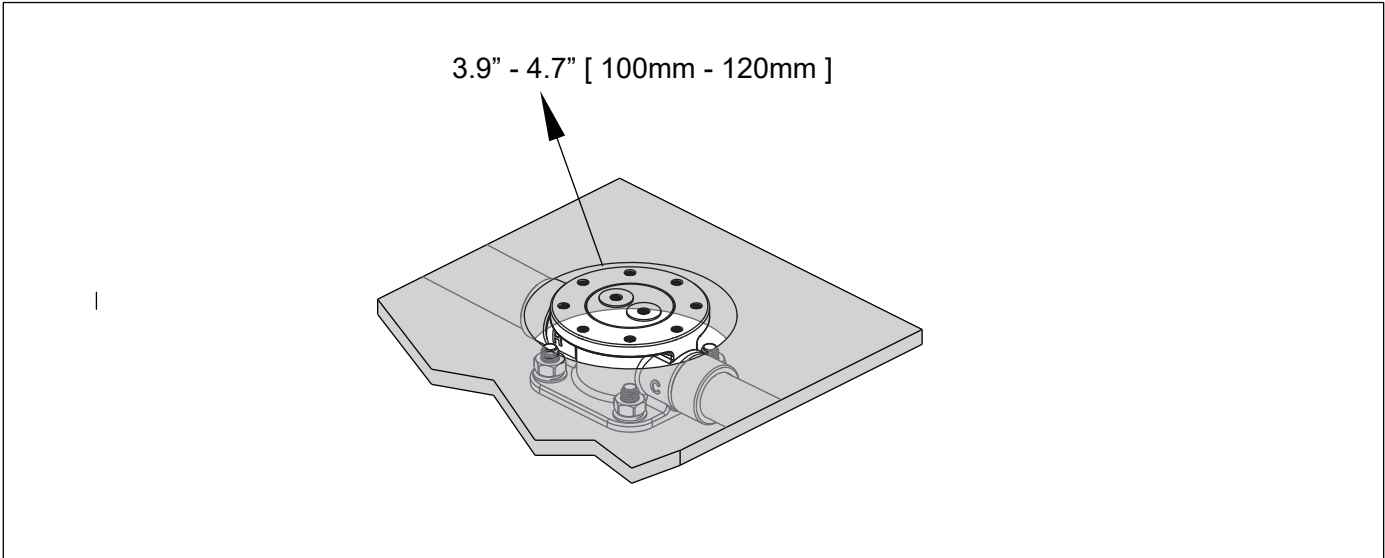
If water pressure is greater than 80 PSI install a pressure reducing valve (PRV)

This valve meets or exceeds ANSI A112.18.1 and ASSE 1016

CAUTION:

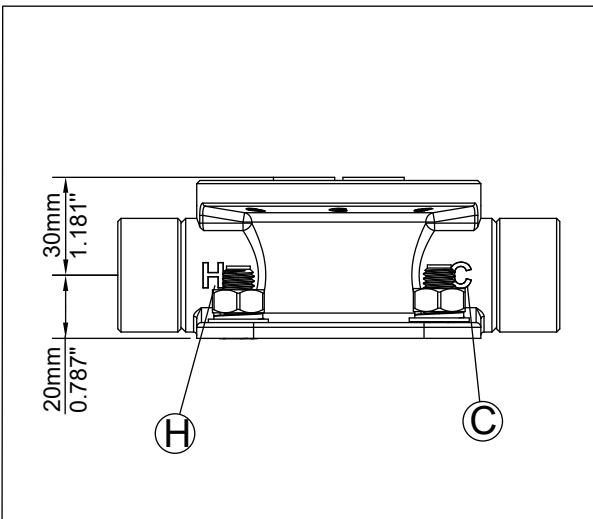
- During mouting of this product extra care should be taken while drilling into the floor to avoid damaging any water supply hoses or coller lines that may exist beneath.
- To avoid risk of injury do NOT use the tub filler as a support bar to enter or exit the bath. The tub filler is not designed to support weight
- Supply hose connections should be installed in a location where they are accessible for cleaning and service.

INSTALLATION PROCEDURE



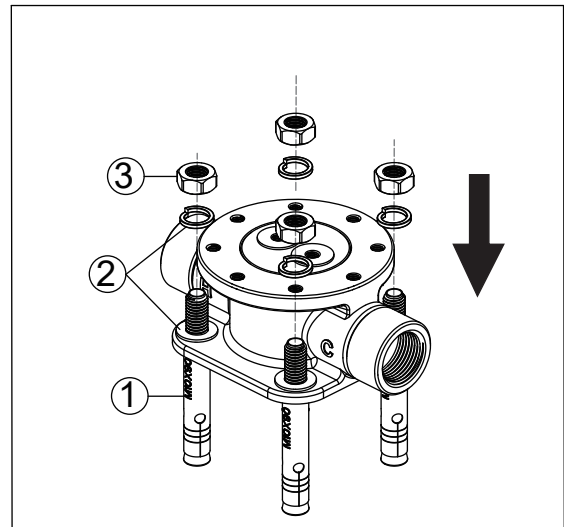
Step 1

It is essential to review the cut-out dimensions mentioned here so that the cut-out in the floor is not accidentally bigger than the size of the escutcheon plate.



Step 2

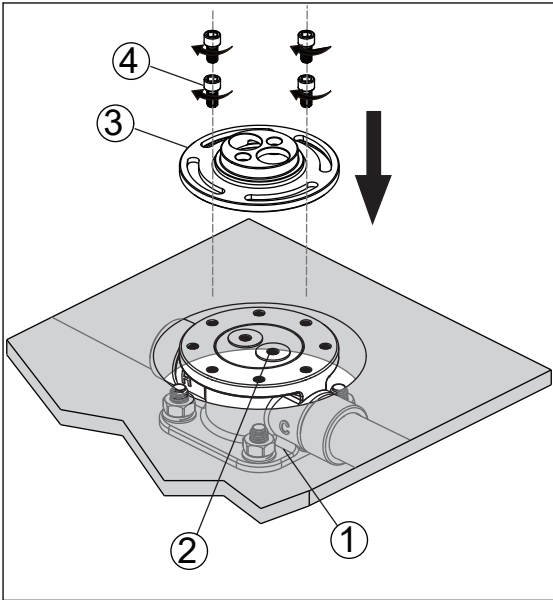
The distance between the center point of valve inlet (hot, cold) to the floor and top of the valve is seen above. Level the valve before securing into the floor. Ensure valve is straight and do not install at an angle. The connections for Hot & Cold water supply lines are shown in the diagram.



Step 3

Make holes for floor bolt installation. Install valve using bolts (1). Secure head bolts (1) with washer (2) and nuts (3). Tighten the nut (3) onto bolts (1). Do not Overtighten.
Note: Ensure valve is perfectly level.

INSTALLATION PROCEDURE

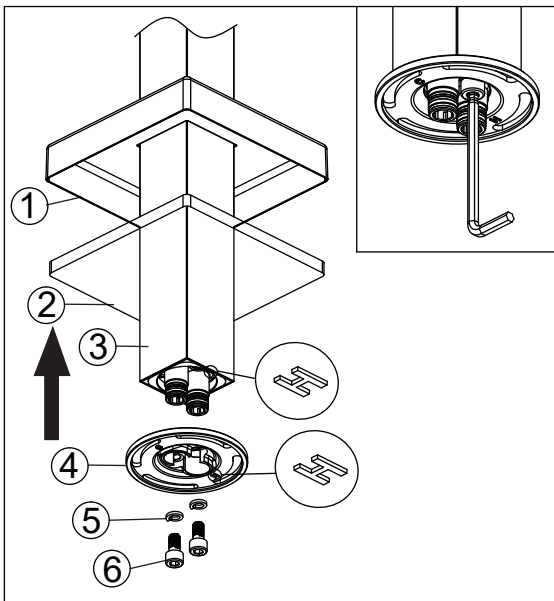


Step 4

Pressure Testing:

Connect the hot and cold inlet supply line into the valve (1). The supplied plugs (2) should be used to block water output during installation. Use connector (3) and screws (4) to hold in place. Do not overtighten. Turn on the water supply and check for leaks. After testing, turn off the water supply, then remove connector (3), plugs (2) and screws (4).

Note: a. Do not to reverse the cold and hot supply.
b. It is not necessary to install all screws.

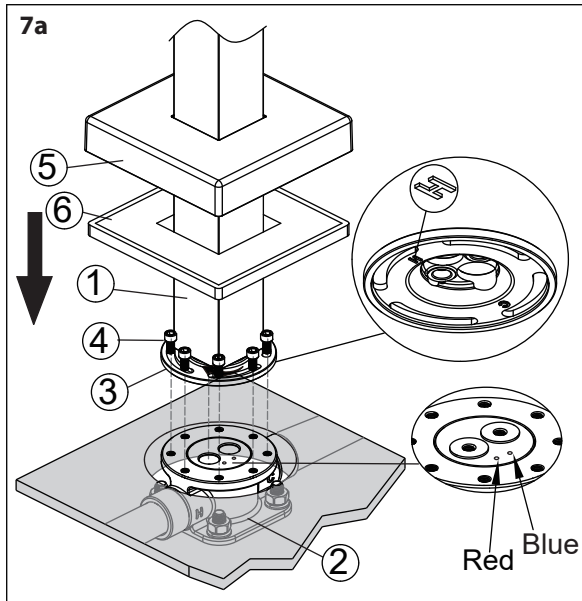


Step 5

Before installing, ensure double o-rings are undamaged and greased. Place the square cover (1) and washer (2) over the standpipe (3). Install connector (4) to the faucet body using the metal washer (5) and screws (6) provided. Tighten screws (6) with wrench provided. Do not overtighten.

Note: The "H" end of the connector (4) corresponds to the "H" end of trim. Do not loose metal washer (5).

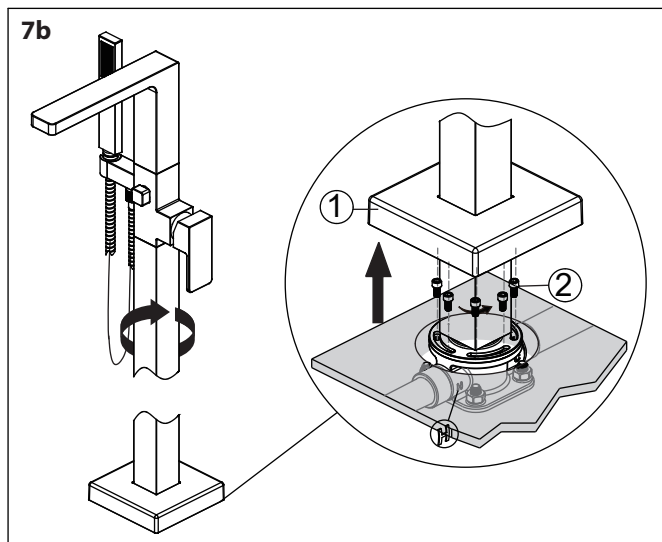
INSTALLATION PROCEDURE



Step 6

Insert trim (1) onto valve (2). The “H” end of the connector (3) shall correspond to the side marked red on the valve (2). Secure the trim (1) to the valve (2) using screws (4). Tighten the screws with wrench provided. Then push the square cover (5) and washer (6) to the base.

Note: Ensure that eight screws are tight.



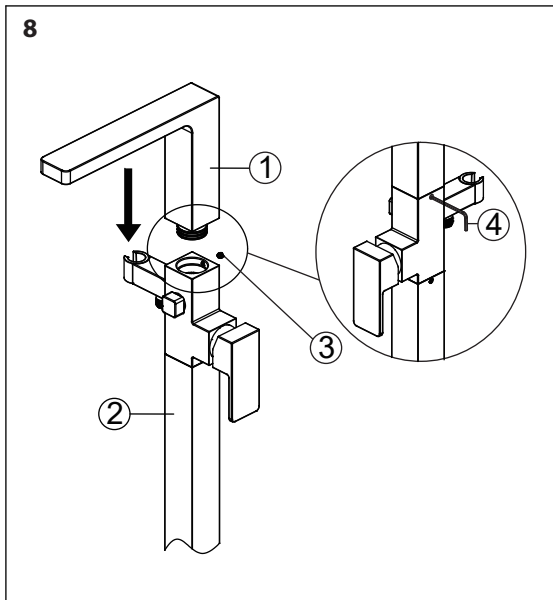
Step 7

The trim piece can be rotated 360°:

After installed, if the trim orientation is not what you want, it can be changed by turning the trim. But before turning the trim, it is necessary to remove the square cover (1) and loosen the screws (2).

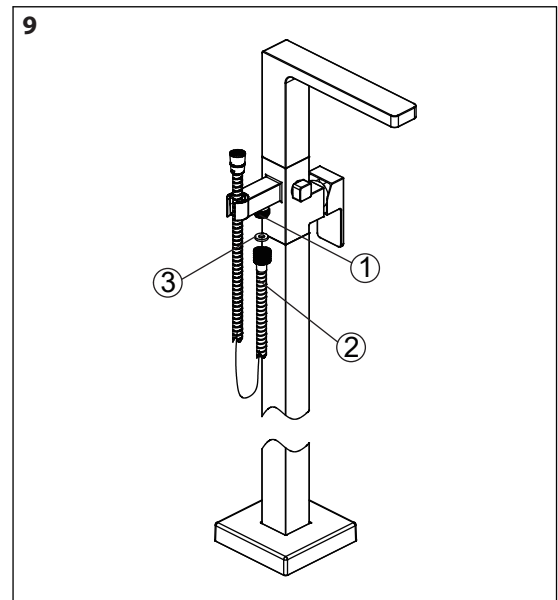
Note: Don't turn the handle and spout.

INSTALLATION PROCEDURE



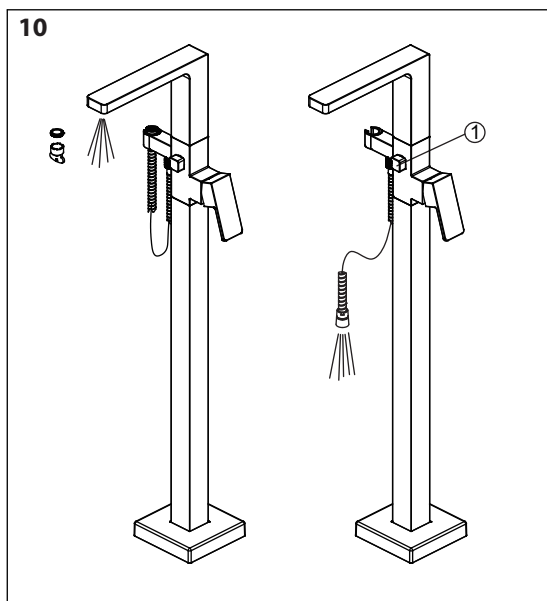
Step 8

Insert the spout (1) into the trim (2). Rotate the spout (1) to align correctly with the trim (2), then tighten the screw (3) using a hex wrench (HEX:2.5mm, 4).



Step 9

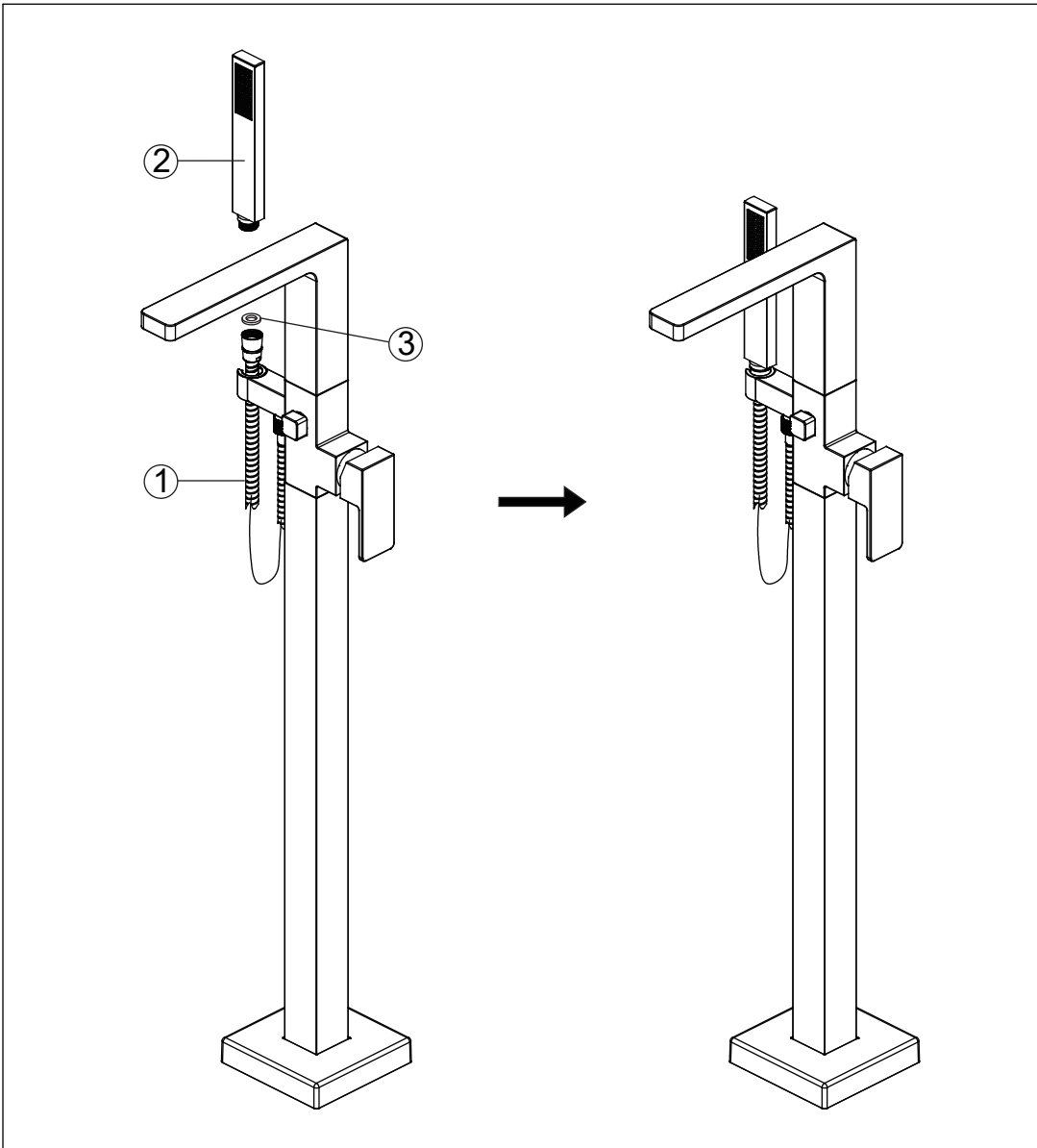
Connect one end of the shower hose (1) to the mixer (2). Ensure a washer (3) is inserted into each end for a seal.



Step 10

IMPORTANT: After installation is complete, remove the aerator to flush the water lines. Turn on the water supply and allow both hot and cold water to run for at least one minute each. Press the pin (1) to the bottom position, and flush the water lines for one minute. This flushes away any debris that could cause damage to internal parts. Check for leaks. After flushing, turn the handle all the way off to shut off the water and reinstall the aerator. The pin should now be in its normal position. Re-tighten any connections if necessary, but do not overtighten.

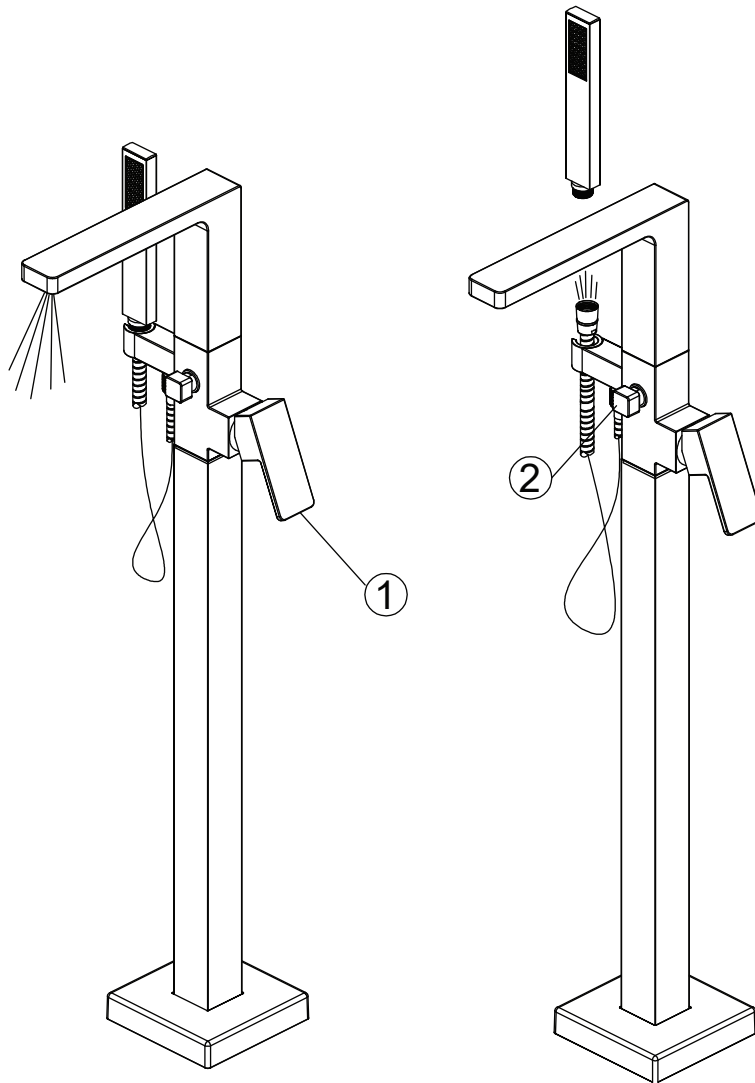
INSTALLATION PROCEDURE



Step 11

Connect the end of shower hose (1) to the shower (2). Ensure a washer (3) is into each end for seal.

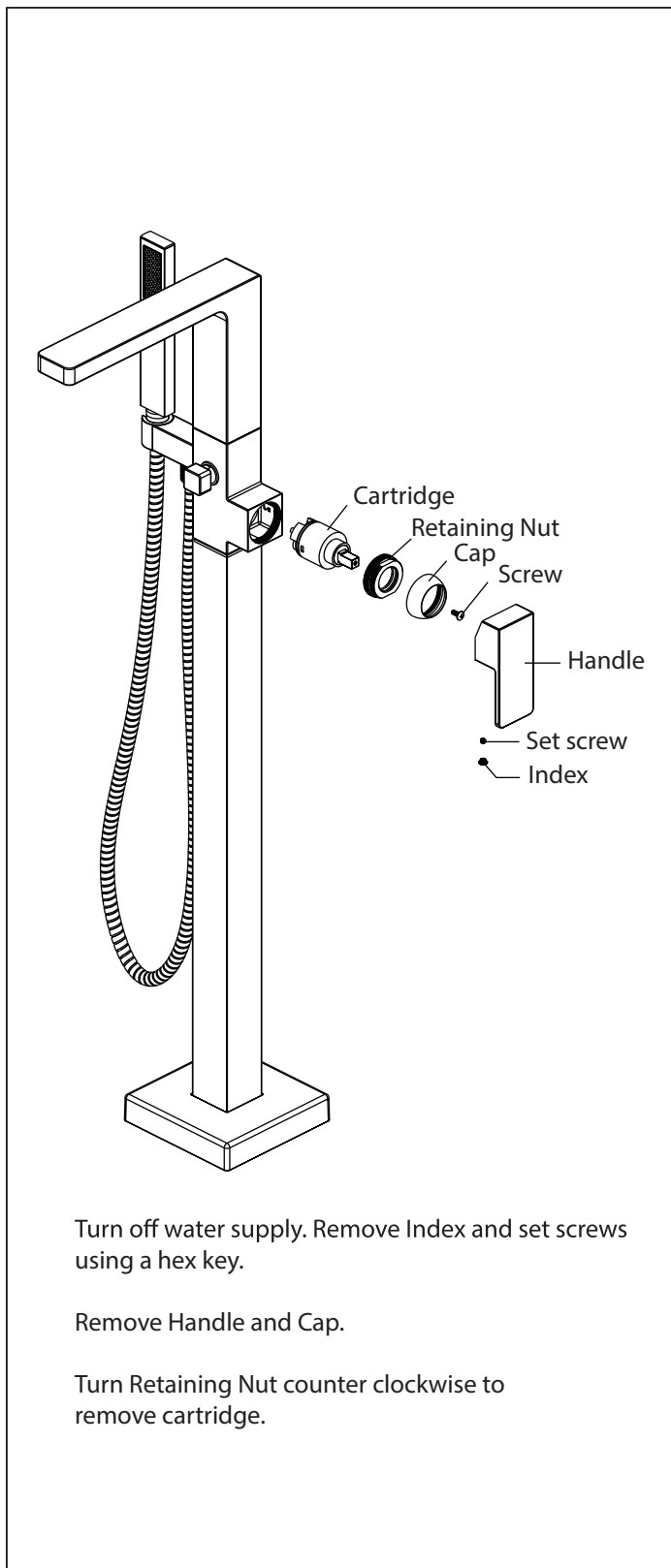
PROPER OPERATION



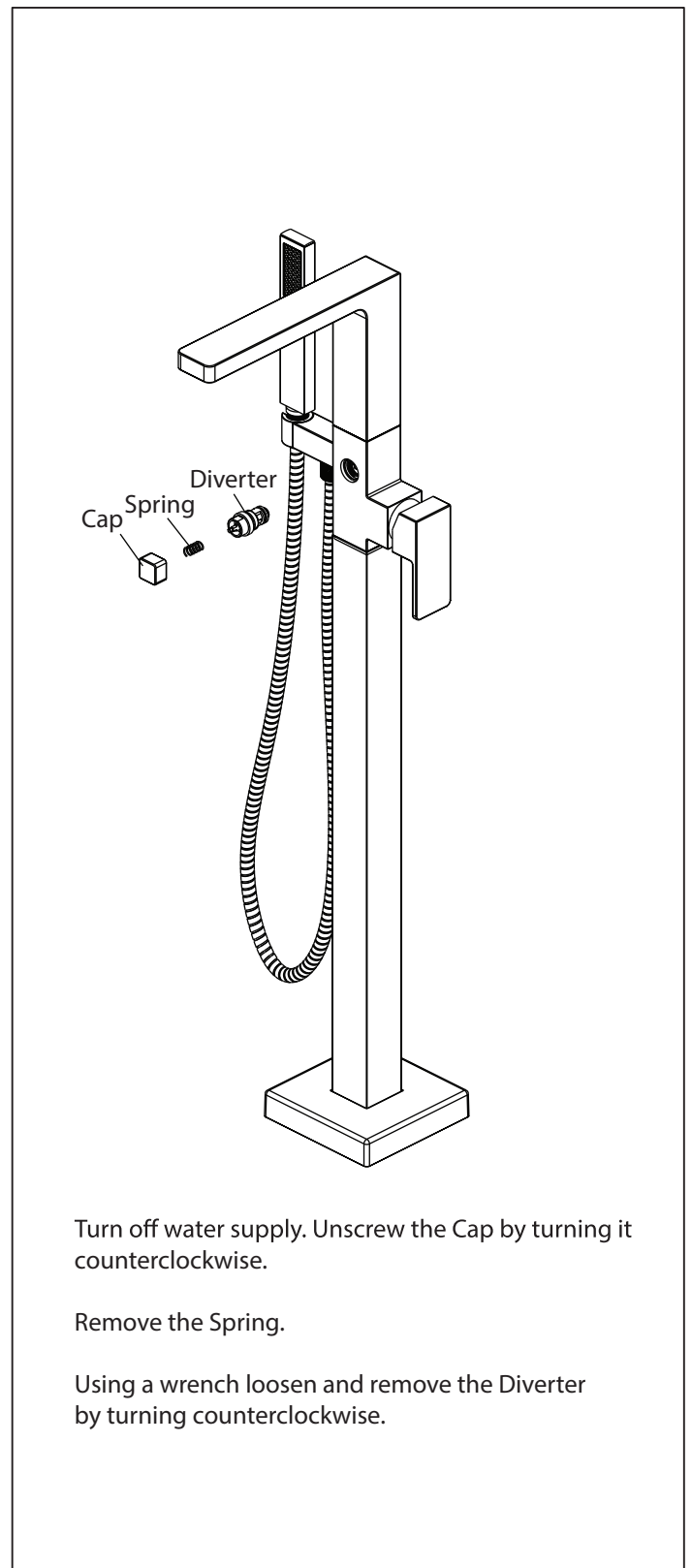
Turn on water by lifting handle (1).

Divert water between spout and hand held by depressing push-pull diverter button (2).

REPLACING TEMPERATURE CARTRIDGE



REPLACING PUSH PULL DIVERTER





Installation Manual

196.1165

Floor Mounted Tub Filler With Hand Shower

NOTICE TO HOMEOWNER

- We recommend that this product is installed by a qualified professional plumber.
- Please check this product immediately to ensure that it has not been damaged and is complete. Before installation, please make sure this product is the correct model and you have all the parts required for installation and use.
- Please flush the water system to ensure that no metal swarf, solder, and other impurities can enter the product.
- Turn off water supply before commencing work.
- Please read these instructions carefully and retain for future reference.

BEFORE YOU BEGIN

- You must observe all local plumbing laws and codes.
- Do not install this valve if it does not meet local plumbing codes.
- Shut off the main water supply.

