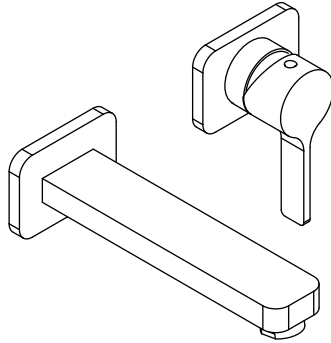


260.1800 | Single Lever Wall Mount Faucet



SPECIFICATIONS:

- Solid Brass construction - includes valve
- Wall Mount Installation
- 1.2GPM @ 60 PSI
- Ceramic disc cartridge allows both volume and temperature control
- Extension Available - 160.1800E**

STANDARDS:

- ASME A112.18.1 / CSA B125.1, NSF-61

LowFlow Capable



Legislation Compliance



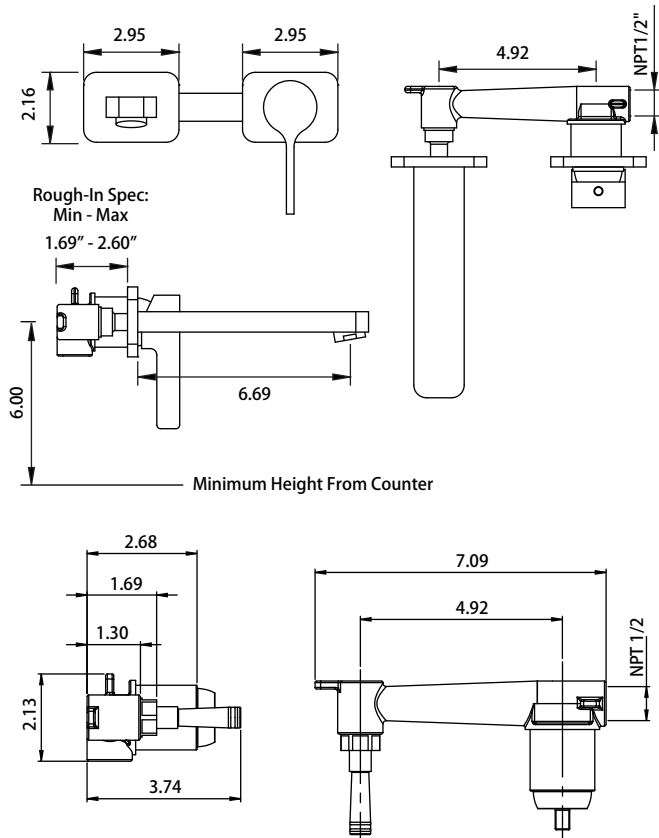
Low Lead Compliant



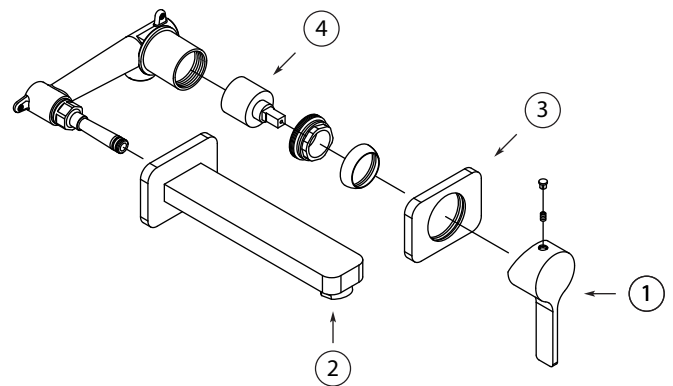
ZeroDrip Technology



Technical Diagram



Exploded View



- ① Handle - 260.1800-2352CP - Chrome
- 260.1800-2352BN - Brushed Nickel
- ② Aerator - 160.1800-2364
- ③ Trim Plate - 260.1800-2000
- ④ Cartridge - 100.1000-9853