

**160.2410 | 3-Hole Deck Mounted Roman Tub Filler**

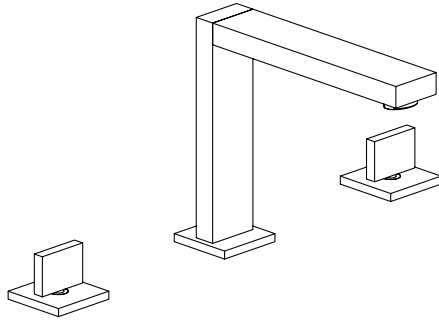


**SPECIFICATIONS:**

- Solid Brass construction - includes valve
- Three Hole Installation
- Flow Rate = 7.0 GPM @ 60 PSI
- 6.89" Tub Spout Reach

**STANDARDS:**

- ASME A112.18.1 / CSA B125.1



Legislation Compliance



ZeroDrip Technology



**Technical Diagram**

