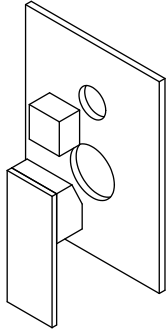
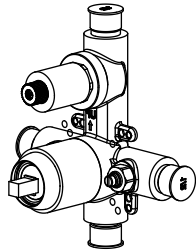


**160.2101 | Tub / Shower Trim Set With Pressure Balance Valve & 2-Way Diverter with Integrated Volume Control**



Trim  
[ 160.2101T\*\* ]



Valve  
[ PBV1005A\*\* ]

**SPECIFICATIONS:**

- Includes Pressure balance valve (PBV1005A\*\*) w/ service stops
- Lift Handle to control volume. Turn left for hot, right for cold.
- Small knob controls 2-way water diversion
- Pressure Balance Valve Flow Rate - 5.5 GPM @ 60 PSI

**FAST SHIP FINISHES:**

- Chrome - 160.2101CP / Brushed Nickel - 160.2101BN

\*\* Denotes Finish (CP, BN, etc.)

Legislation Compliance

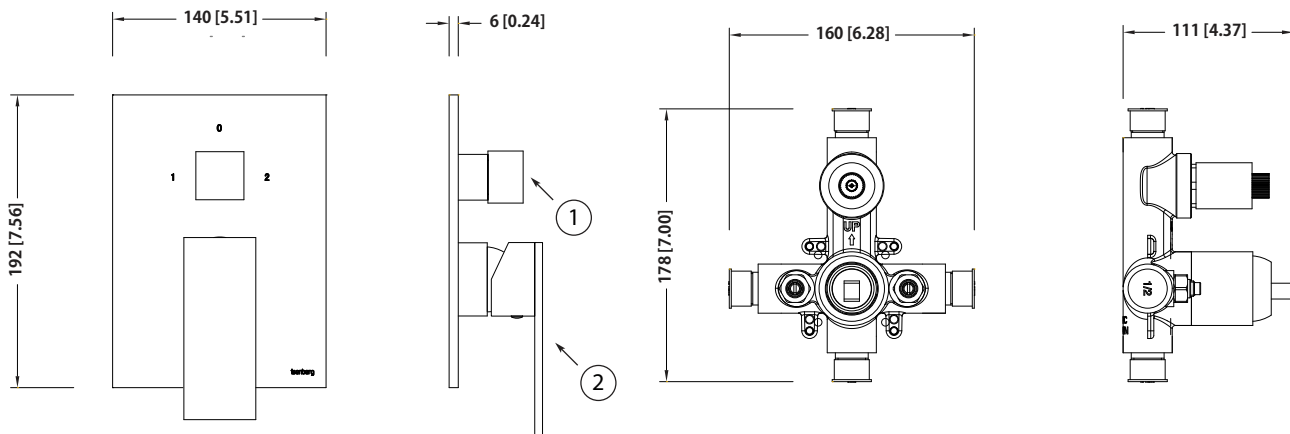


ZeroDrip Technology

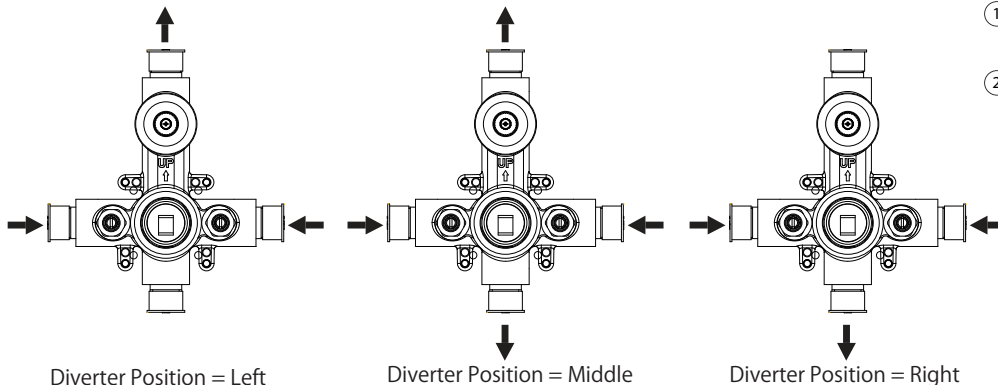


See Spec Sheet For  
PBV1005A For Detailed  
Information On Valve.

**Technical Diagram**



**Water Diversion Diagram**



**Part Number Guide:**

- ① Diverter Handle - 160.PBV.DIVCP - Chrome  
Diverter Handle - 160.PBV.DIVBN - Brushed Nickel
- ② Hot-Cold Handle - 160.PBV.TMPCP - Chrome  
Hot-Cold Handle - 160.PBV.TMPBN - Brushed Nickel



**PBV1005A | Pressure Balance Valve With Integrated 2-Way Diverter** Page 1 of 2

**SPECIFICATIONS:**

- Lift Handle to control volume. Turn left for hot, right for cold.
- Knob controls 2-way water diversion - shared output.
- Pressure Balance Valve Flow Rate - 5.5 GPM @ 60 PSI

**FAST SHIP FINISHES :**

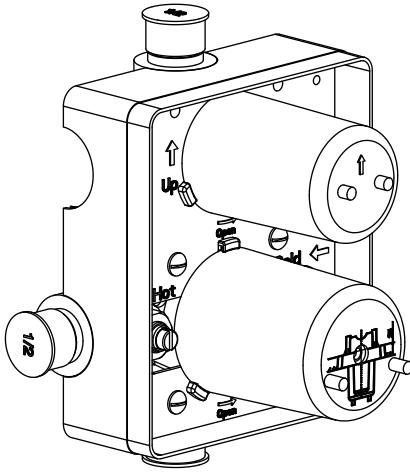
- Chrome - PBV1005ACP / Brushed Nickel - PBV1005ABN /

**STANDARDS:**

- ASME A112.18.1 / CSA B125.1

**WARRANTY:**

- Limited lifetime warranty to the original consumer purchaser against finish and workmanship

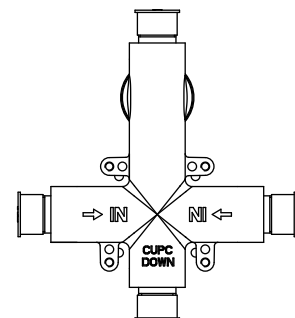
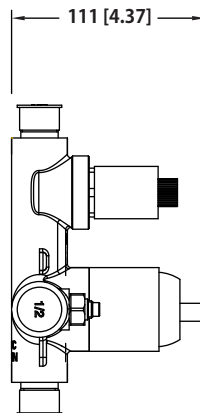
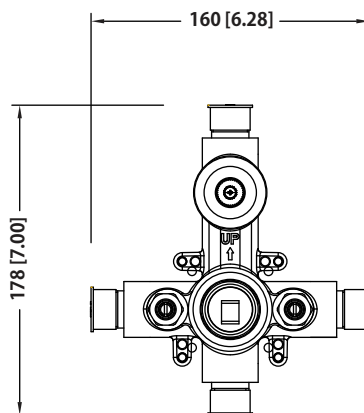
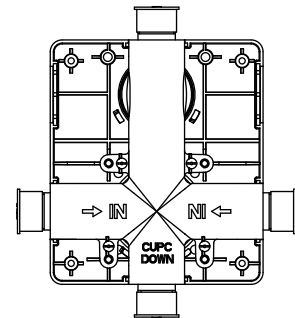
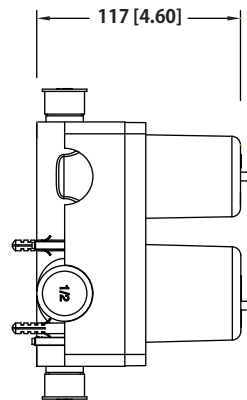
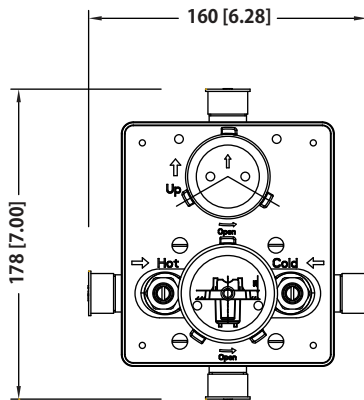


Legislation Compliance

ZeroDrip Technology



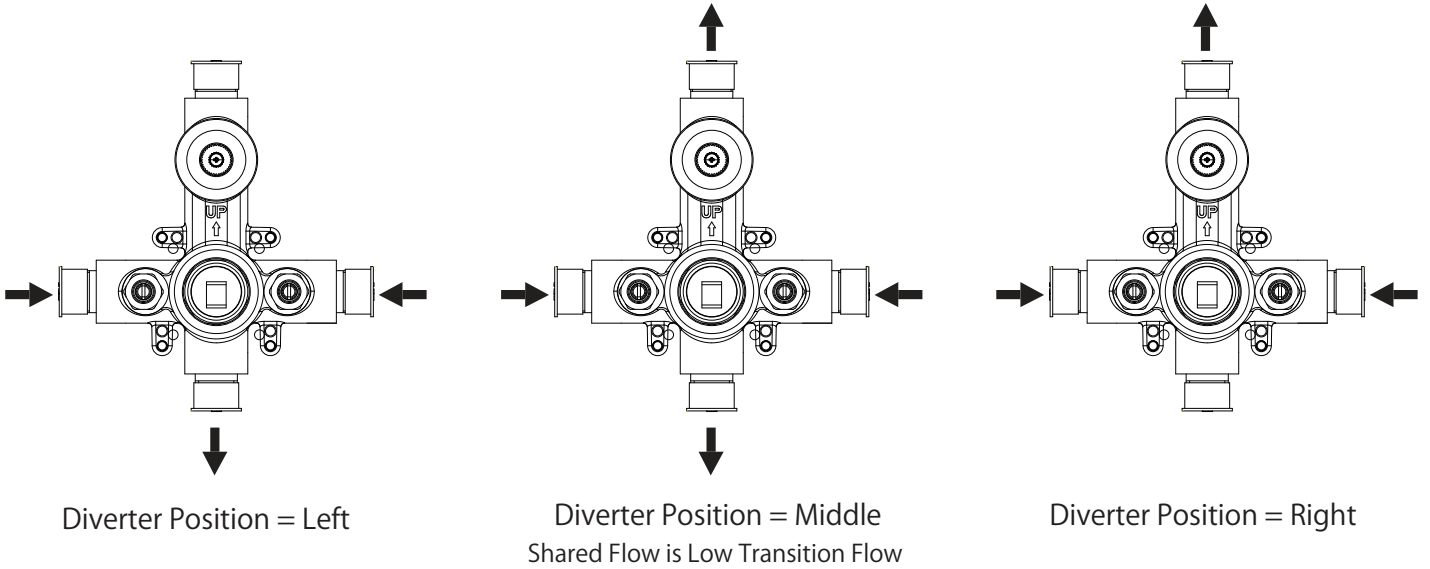
**Technical Diagram**



**PBV1005A | Pressure Balance Valve With Integrated 2-Way Diverter** Page 2 of 2



**Water Diversion Diagram**

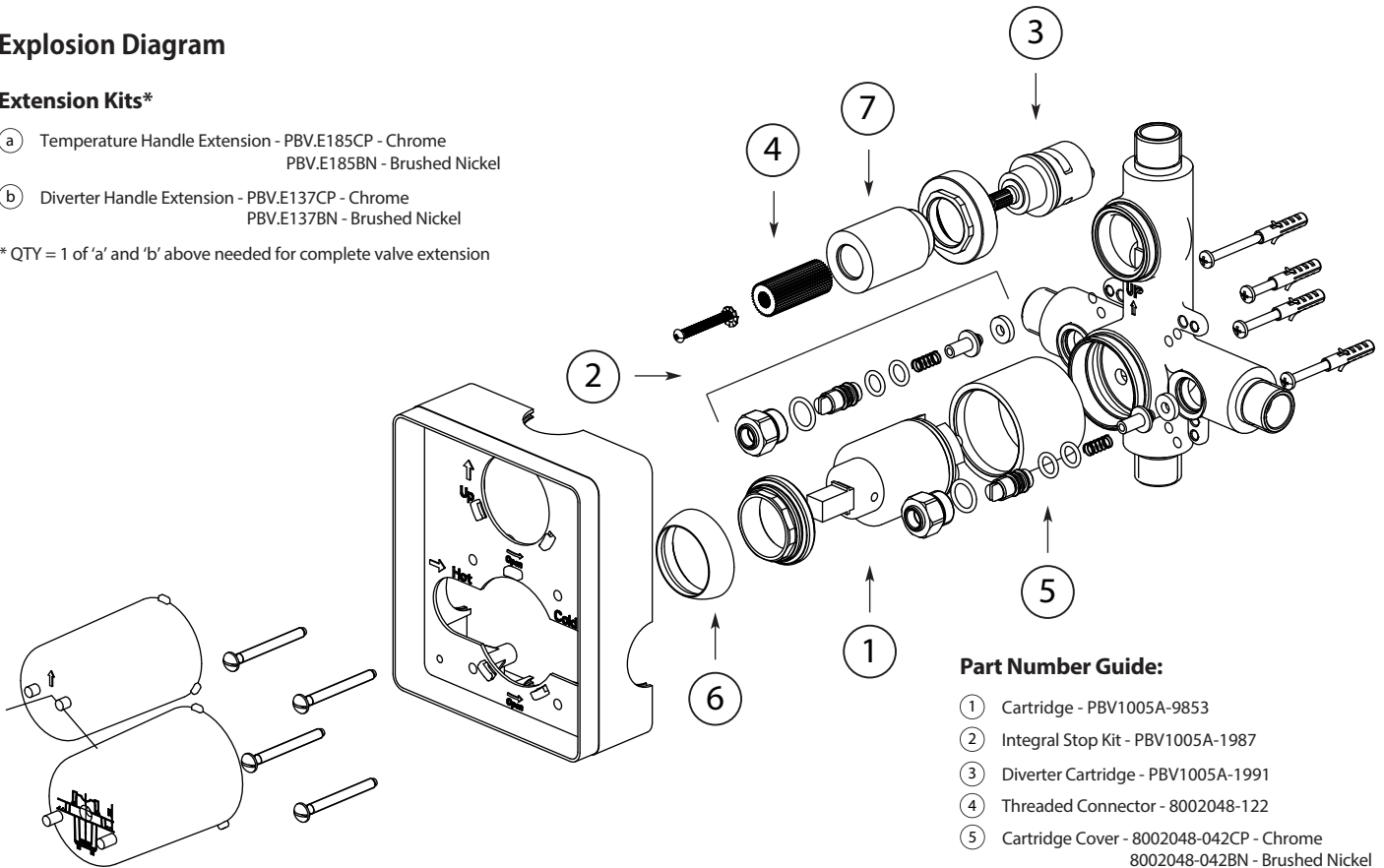


**Explosion Diagram**

**Extension Kits\***

- a) Temperature Handle Extension - PBV.E185CP - Chrome  
PBV.E185BN - Brushed Nickel
- b) Diverter Handle Extension - PBV.E137CP - Chrome  
PBV.E137BN - Brushed Nickel

\* QTY = 1 of 'a' and 'b' above needed for complete valve extension



**Part Number Guide:**

- ① Cartridge - PBV1005A-9853
- ② Integral Stop Kit - PBV1005A-1987
- ③ Diverter Cartridge - PBV1005A-1991
- ④ Threaded Connector - 8002048-122
- ⑤ Cartridge Cover - 8002048-042CP - Chrome  
8002048-042BN - Brushed Nickel
- ⑥ Cartridge Bezel - 8002048-072CP - Chrome  
8002048-072BN - Brushed Nickel
- ⑦ Diverter Cover - 6032029-383CP - Chrome  
6032029-383BN - Brushed Nickel