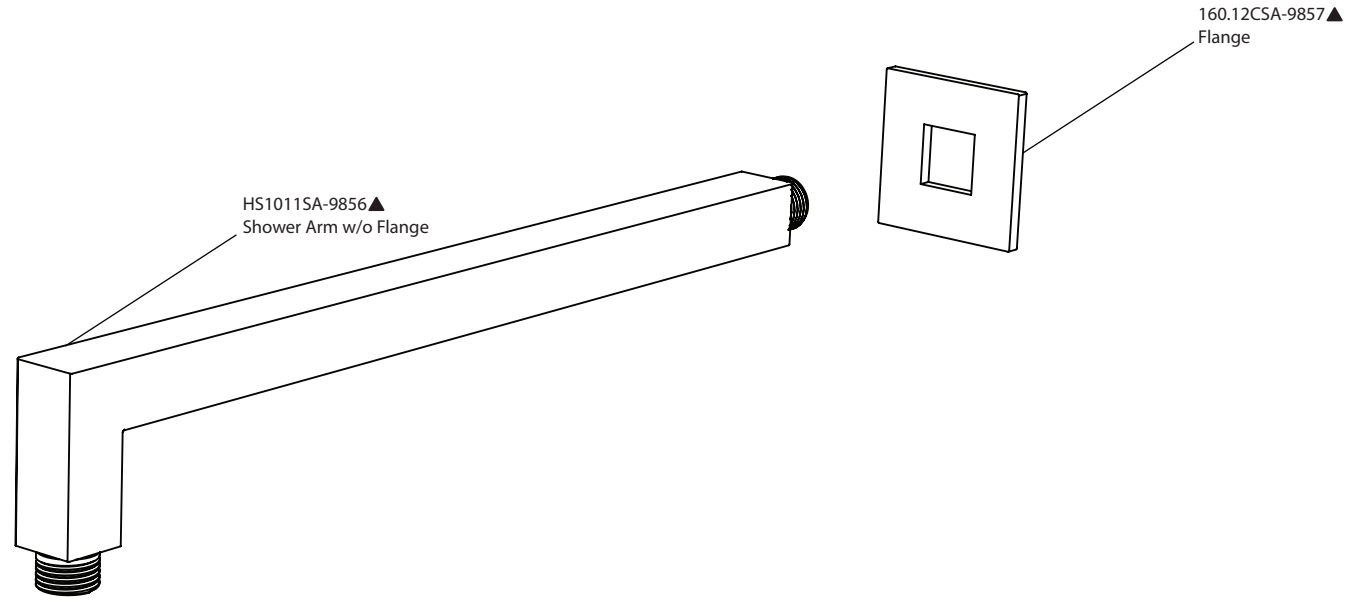


Product Parts Breakdown



isenberg
innovation+design

HS1011SA

Ver 2.53