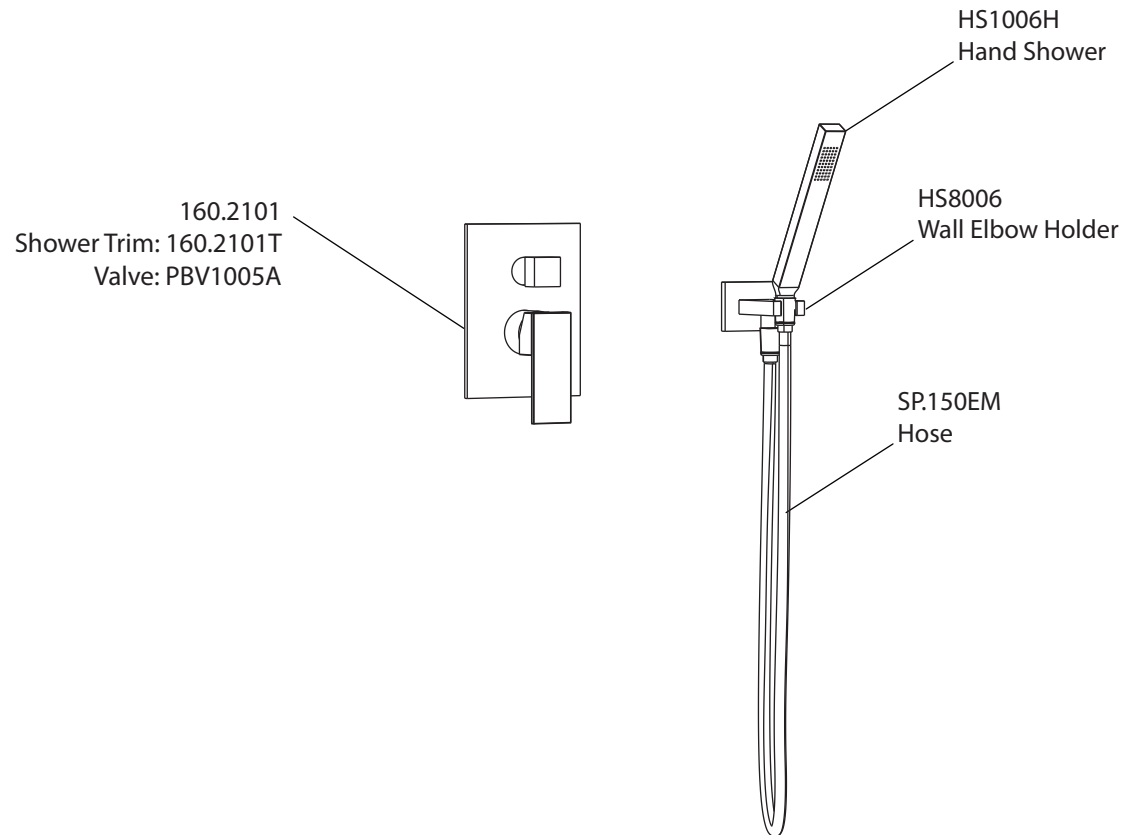
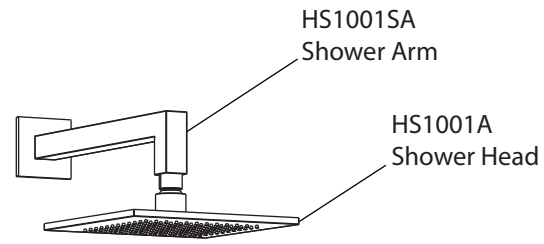


Product Parts Breakdown



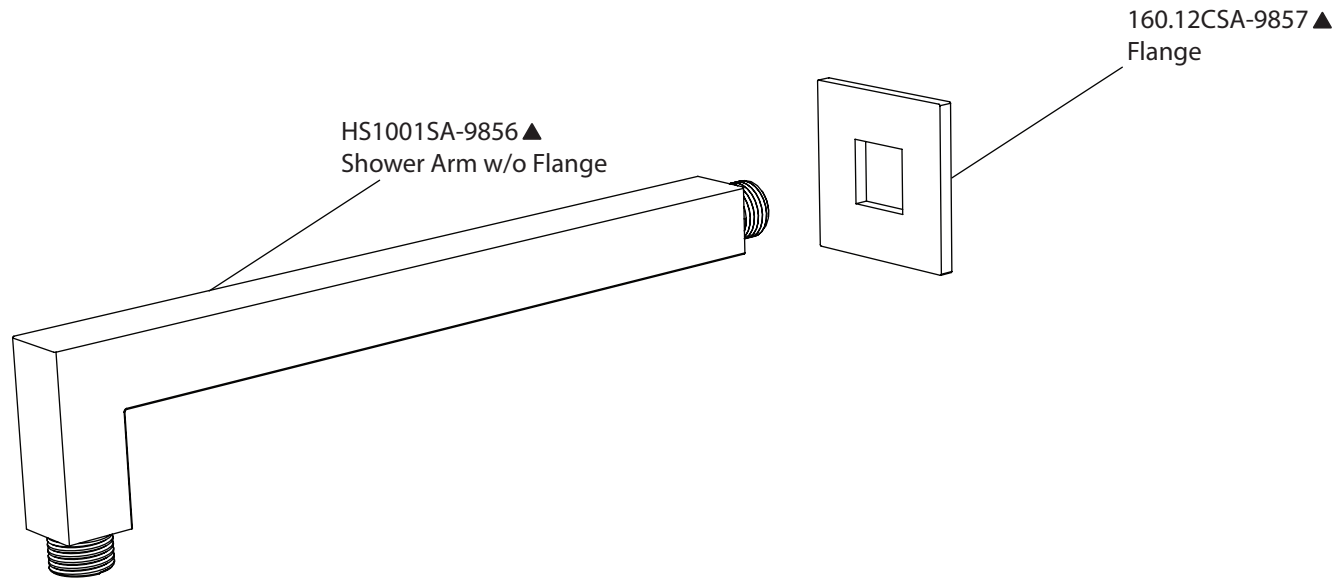
isenberg
innovation+design

160.3300

Ver 2.53

Product Parts Breakdown

▲ Specify Finish



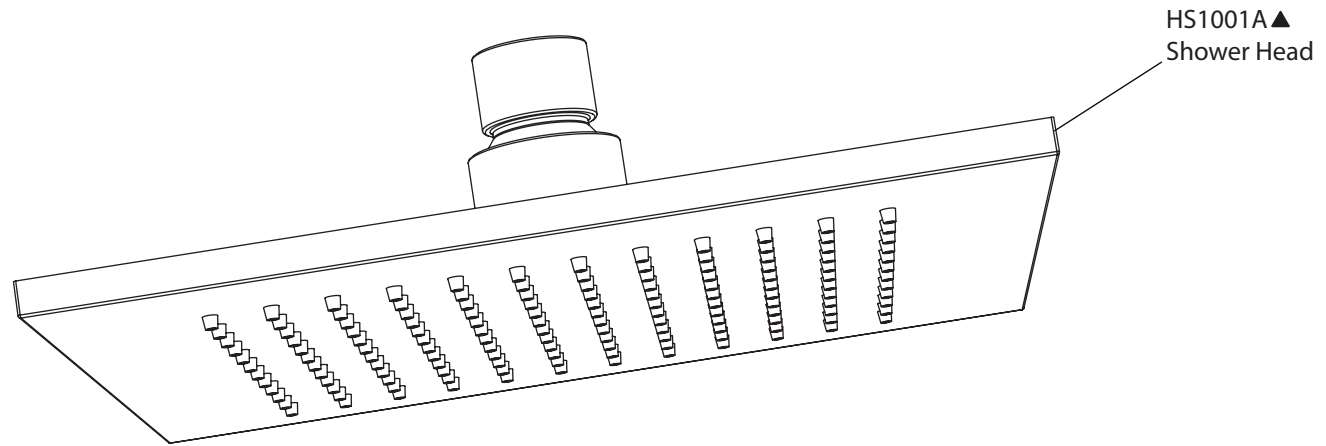
isenberg
innovation+design

HS1001SA

Ver 2.53

Product Parts Breakdown

▲ Specify Finish



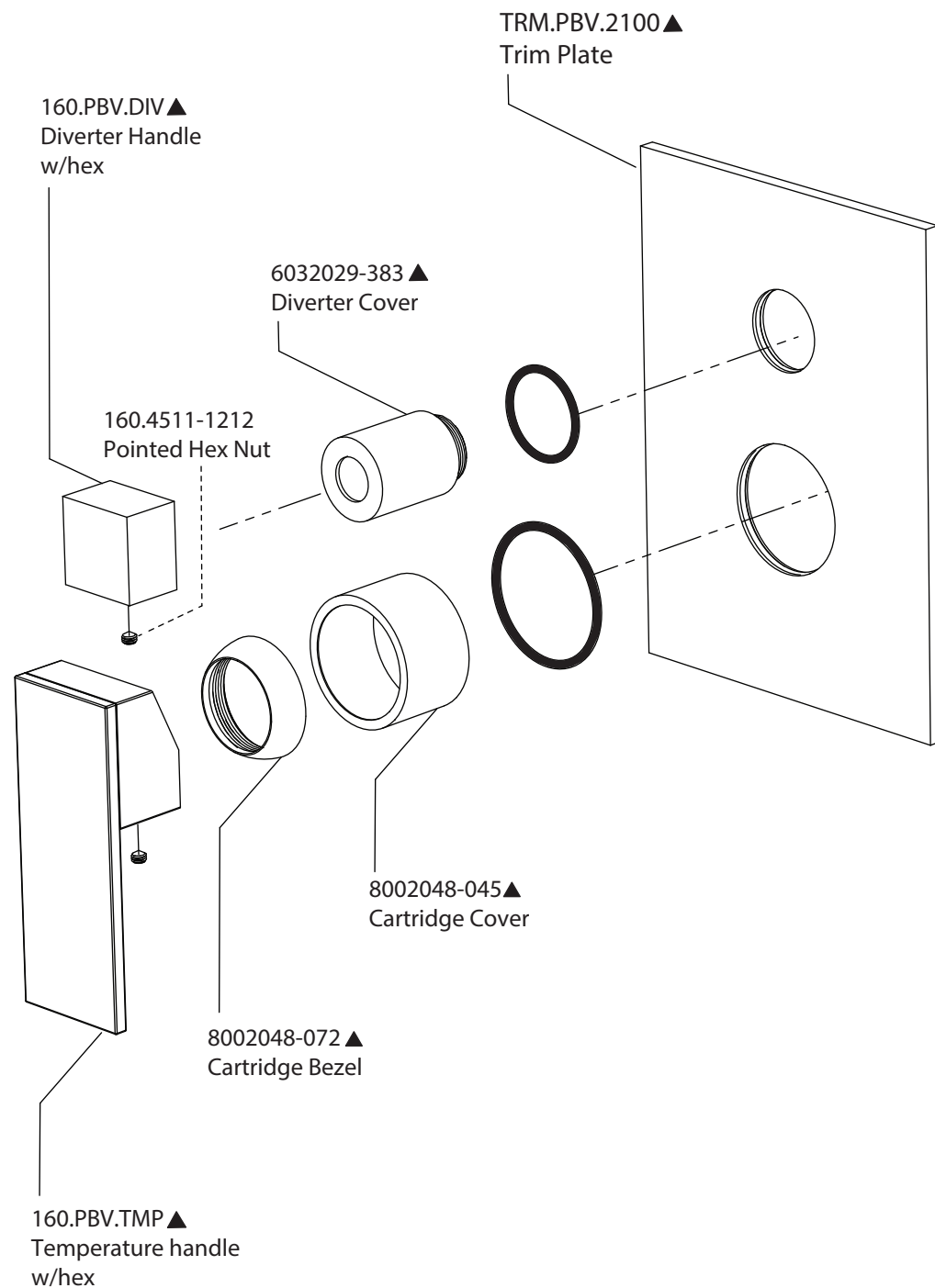
isenberg
innovation+design

HS1001A

Ver 2.53

Product Parts Breakdown

▲ Specify Finish

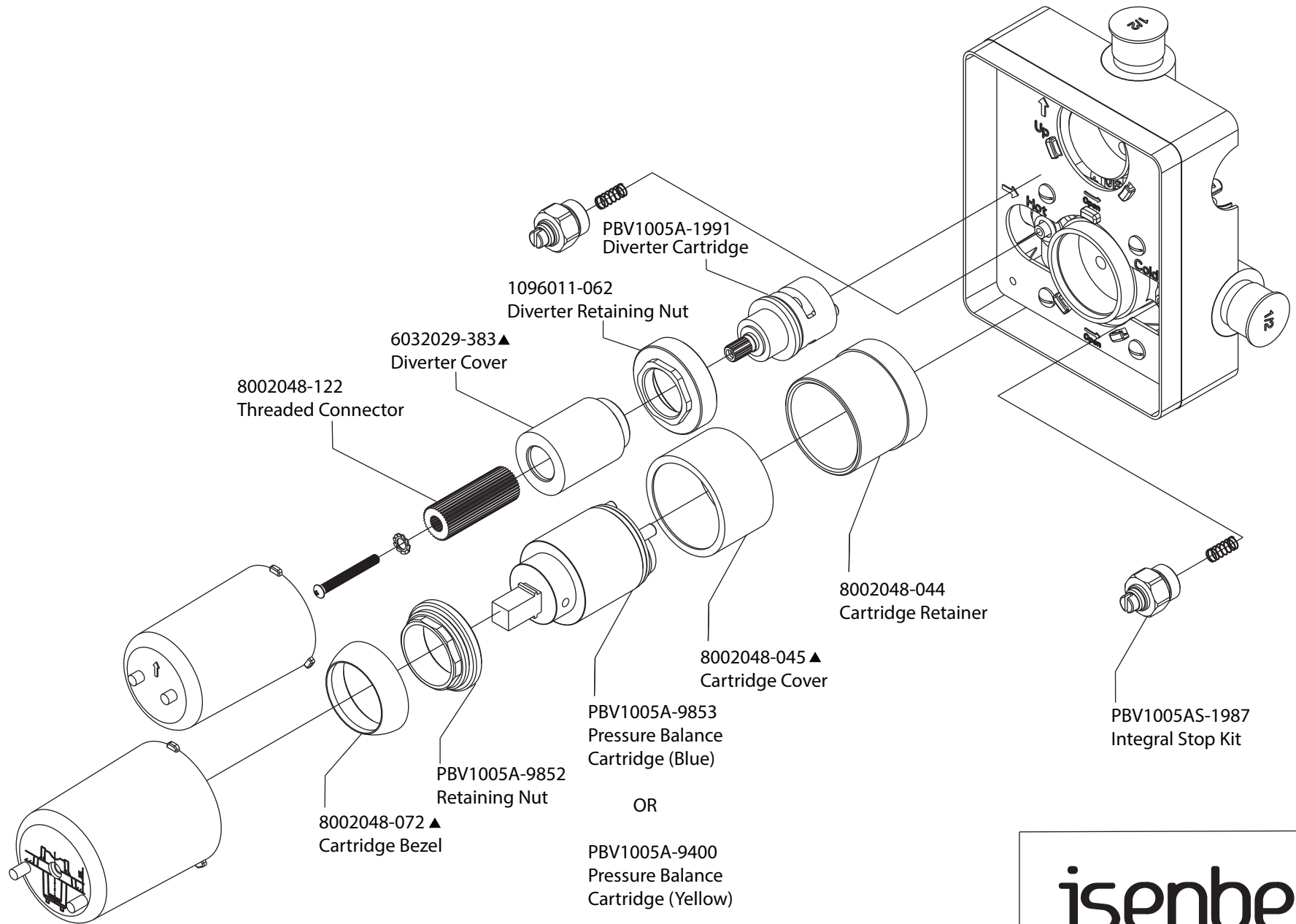


isenberg
innovation+design

160.2101T

Ver 2.58

Product Parts Breakdown

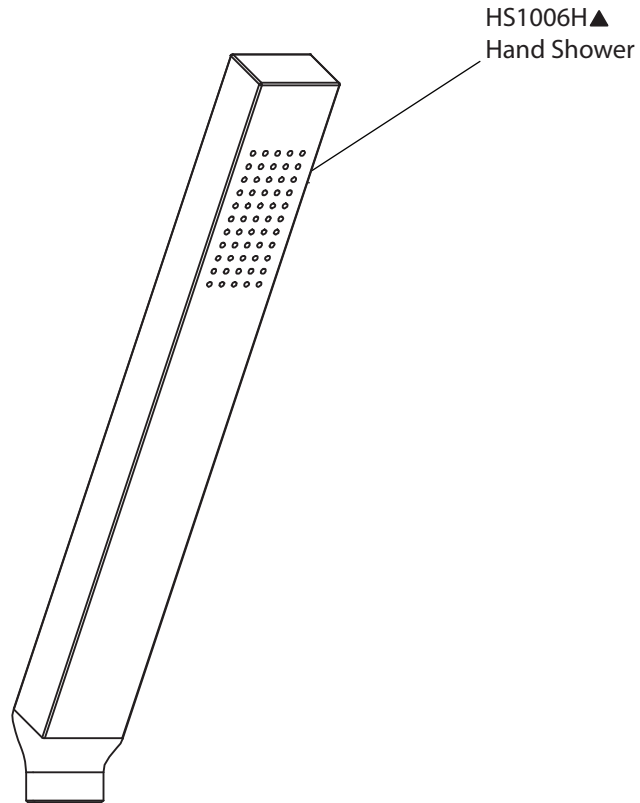


isenberg
innovation+design

PBV1005A

Product Parts Breakdown

▲ Specify Finish

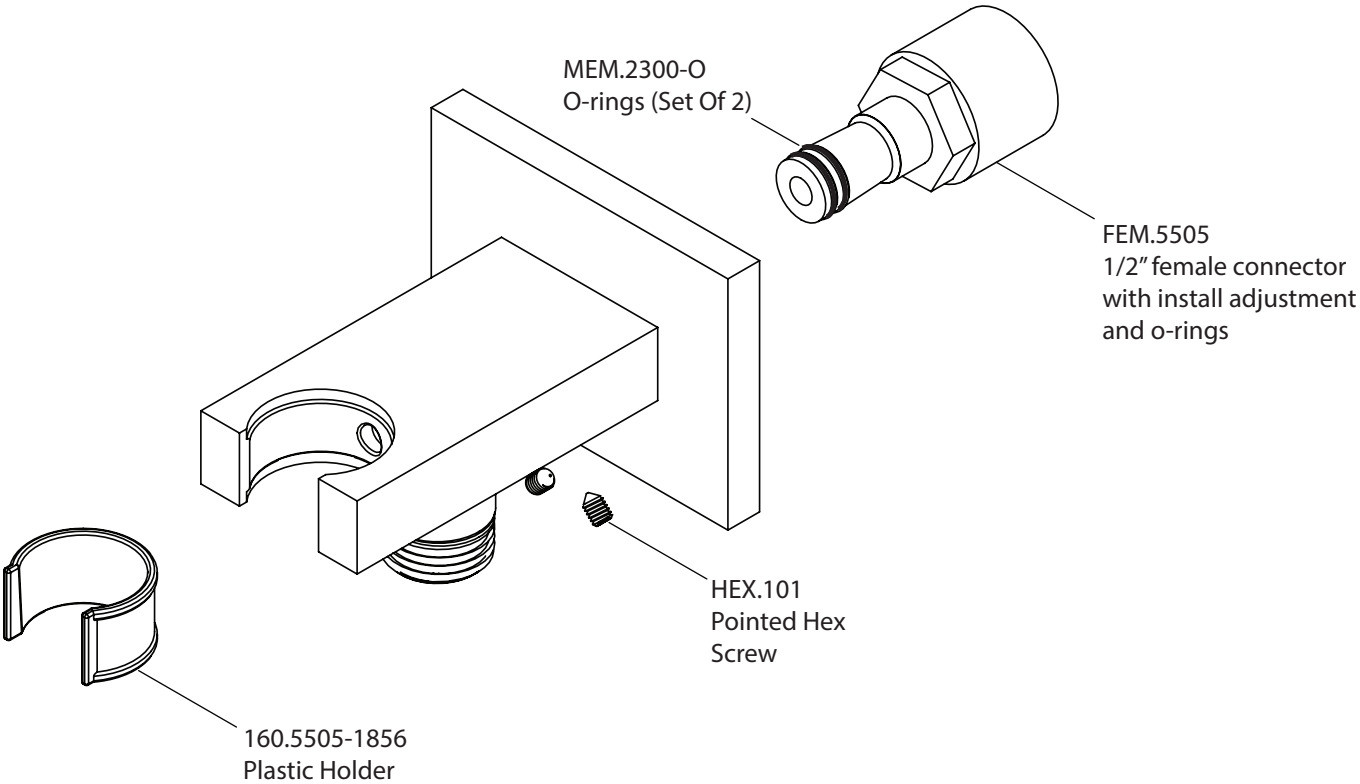


isenberg
innovation+design

HS1006H

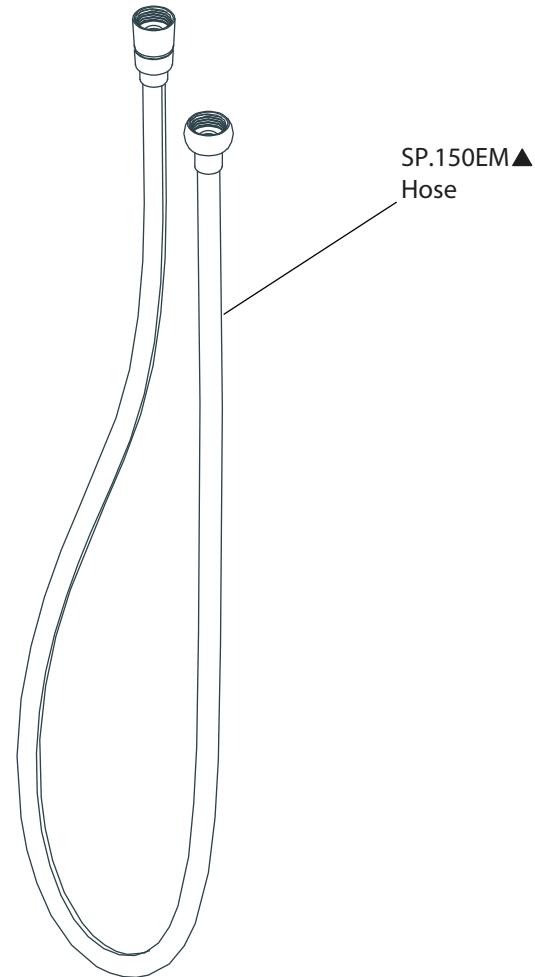
Ver 2.55

Product Parts Breakdown



Product Parts Breakdown

▲ Specify Finish



isenberg
innovation+design

SP.150EM

Ver 2.55