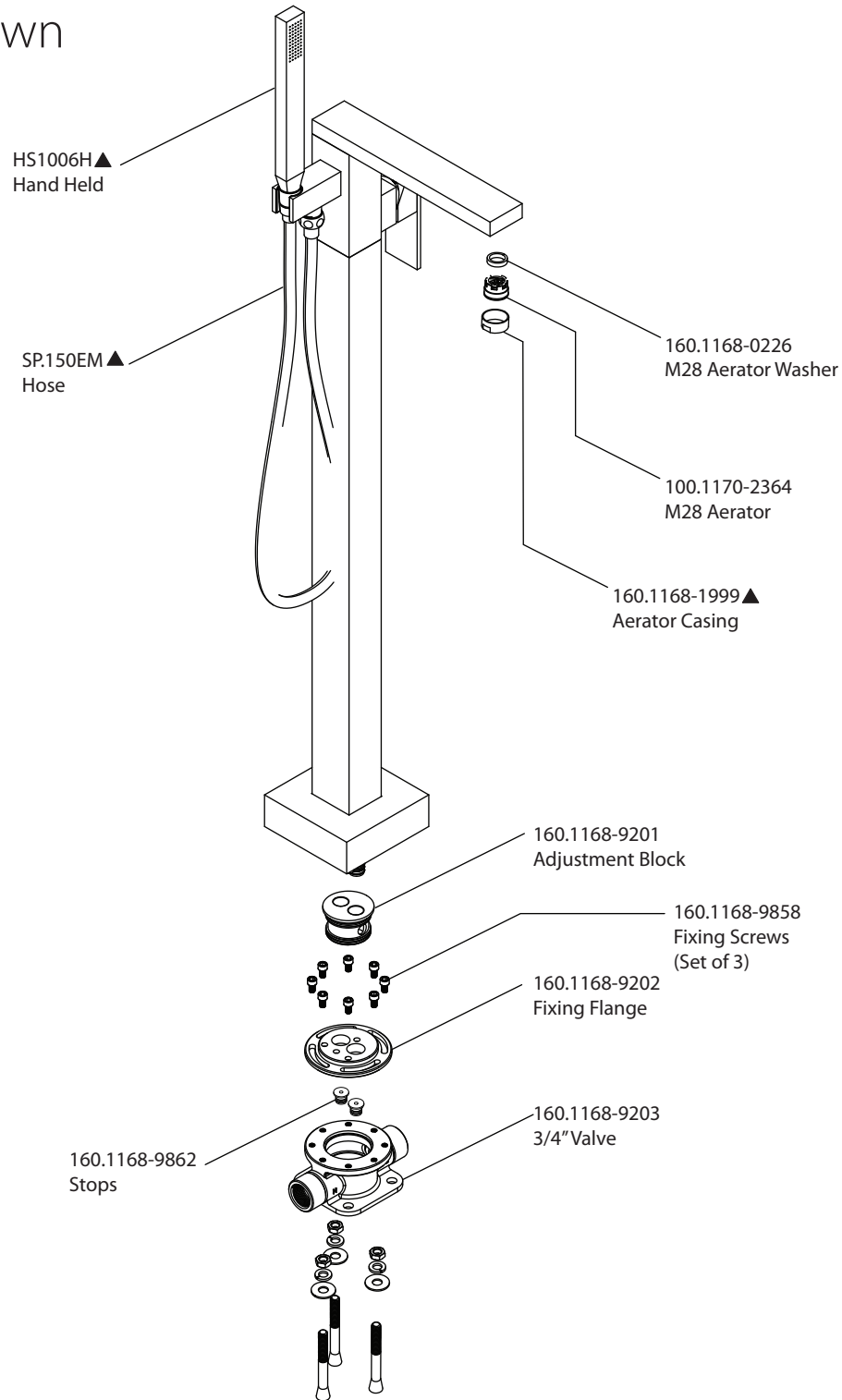


Product Parts Breakdown

(3/4" Version) Page 1 of 2

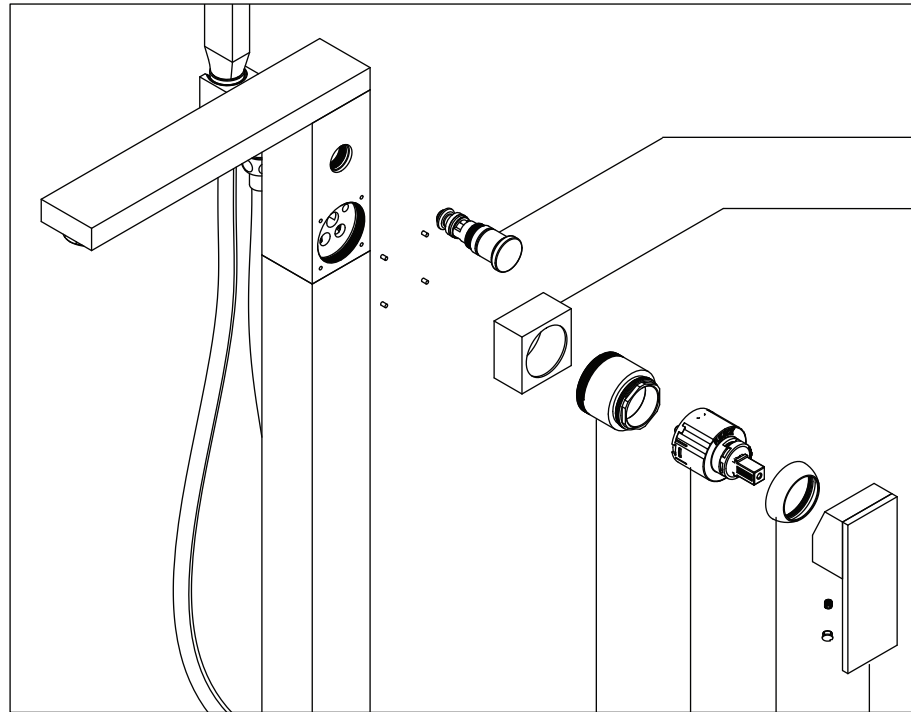


isenberg
innovation+design

160.1168

Product Parts Breakdown

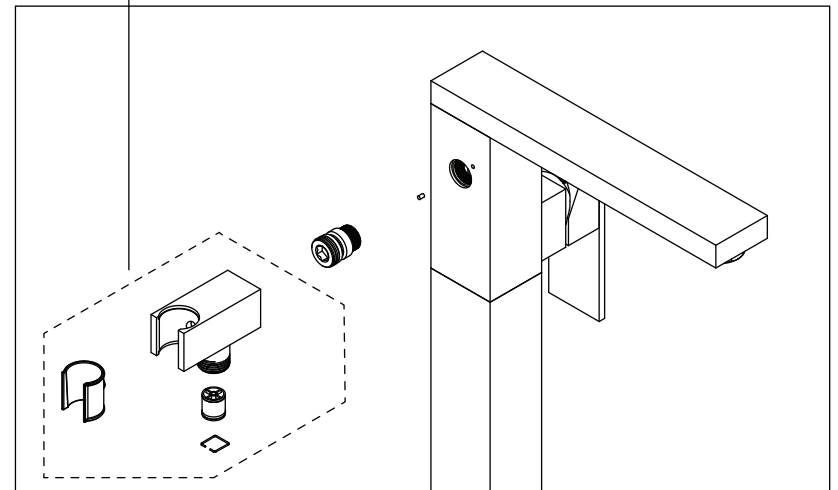
(3/4" Version) Page 1 of 2



100.1170-1991▲
Push - Pull
Diverter Assembly

160.1168-9205▲
Cartridge Cover

160.1168-2853▲
Hand shower holder
Unit with flow restrictor
and back flow prevention



160.1168-9852
Retaining Nut

100.1170-9853
Cartridge

160.1168-9851▲
Cartridge Bezel

160.1168-2352▲
Handle w/ Hex
& Button

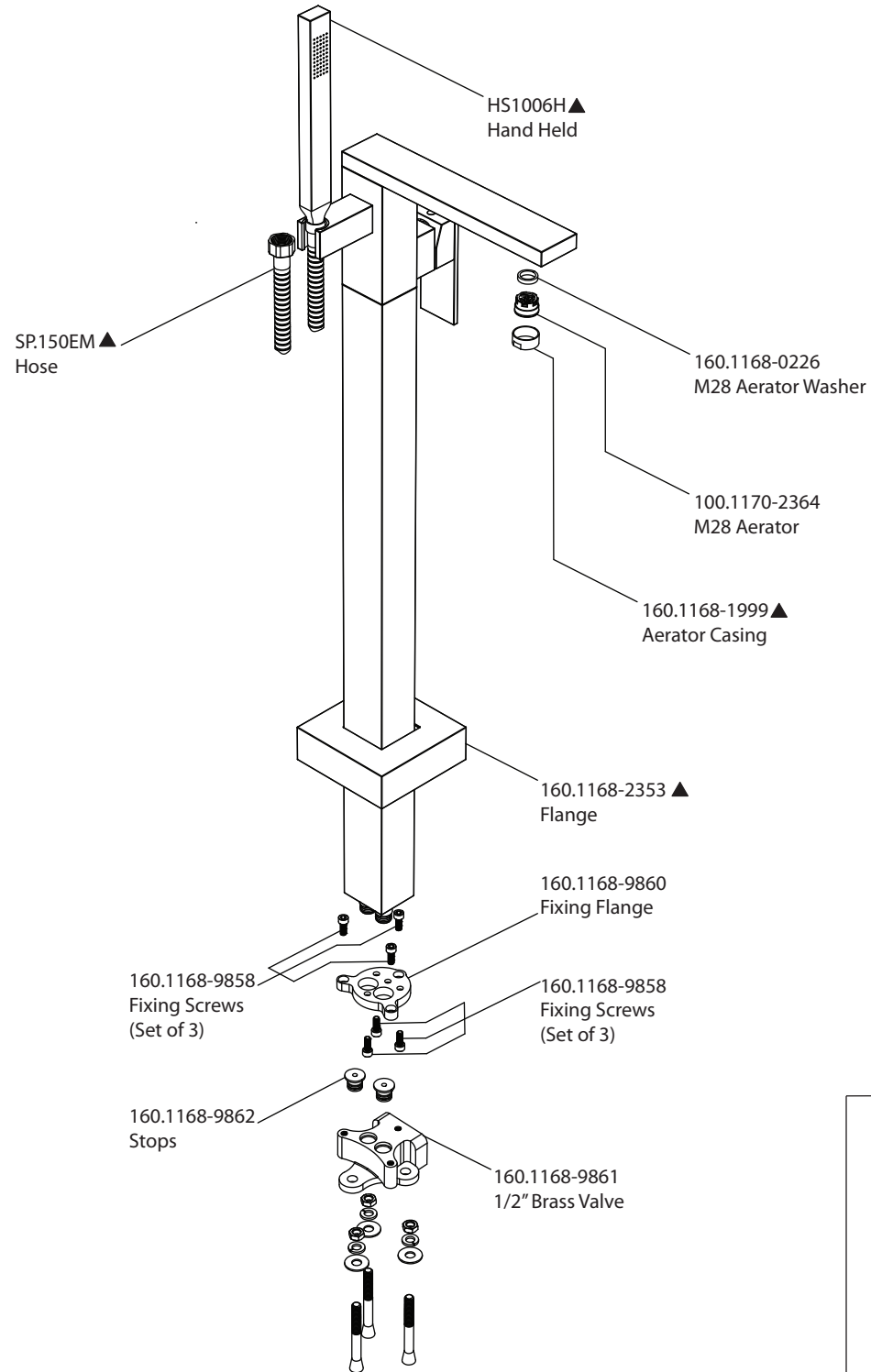
isenberg
innovation+design

160.1168

Ver 2.57

Product Parts Breakdown

(1/2" Version) Page 1 of 2

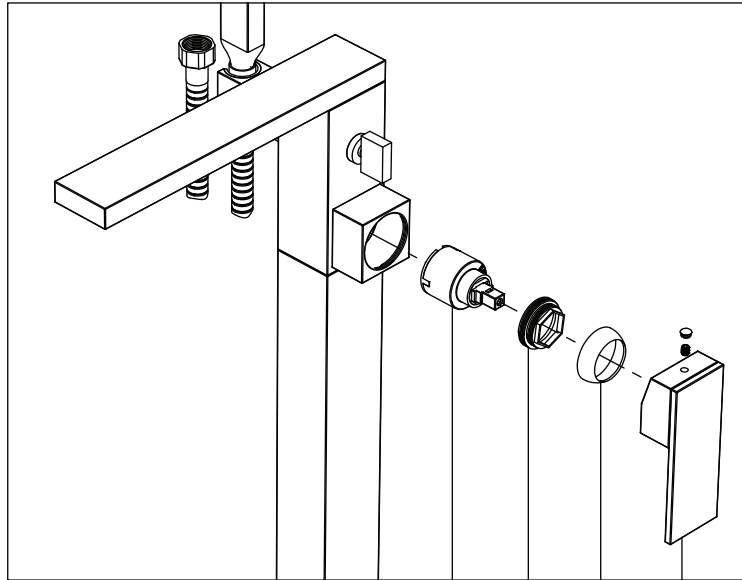


isenberg
innovation+design

160.1168

Product Parts Breakdown

(1/2" Version) Page 2 of 2



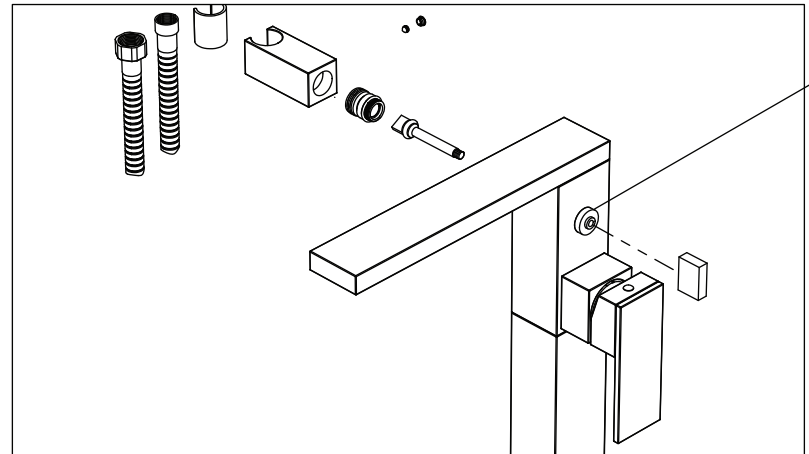
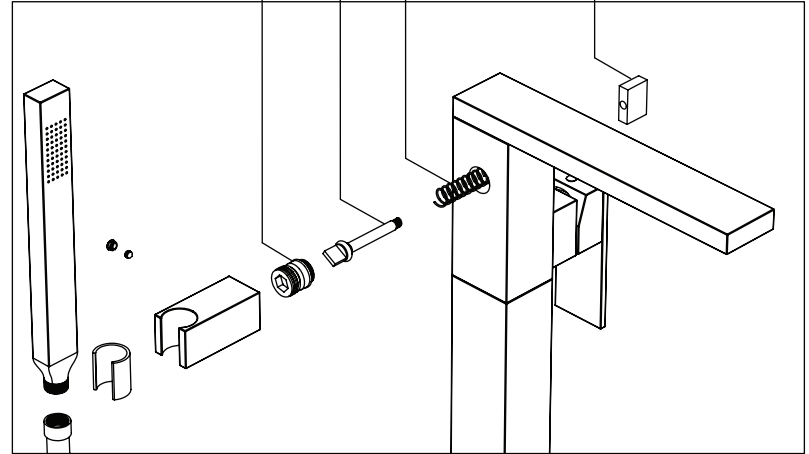
100.1170-9853
Cartridge

160.1168-9852
Retaining Nut

160.1168-9851 ▲
Cartridge Bezel

160.1168-2352 ▲
Handle w/ Hex
& Button

160.1168-1991 ▲
Push - Pull
Diverter Assembly



isenberg
innovation+design

160.1168

Ver 2.57