



150.2200 | 1-way Shower Trim Set With Pressure Balance Valve

SPECIFICATIONS:

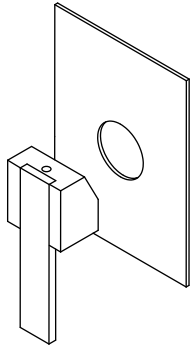
- Solid Brass Trim & Handle set
- Includes Pressure balance valve (PBV1005AS**) w/ service stops
- Lift Handle to control volume. Turn left for hot, right for cold.
- All Parts replaceable from front of valve
- Pressure Balance Valve Flow Rate - 5.5 GPM @ 60 PSI
- Extension Available - PBV.E185**

FAST SHIP FINISHES :

- Chrome - 150.2200CP

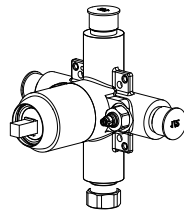
STANDARDS:

- ASME A112.18.1 / CSA B125.1



Trim
[150.2200T**]

+



Valve
[PBV1005AS**]

** Denotes Finish (CP Or BN)

Legislation Compliance

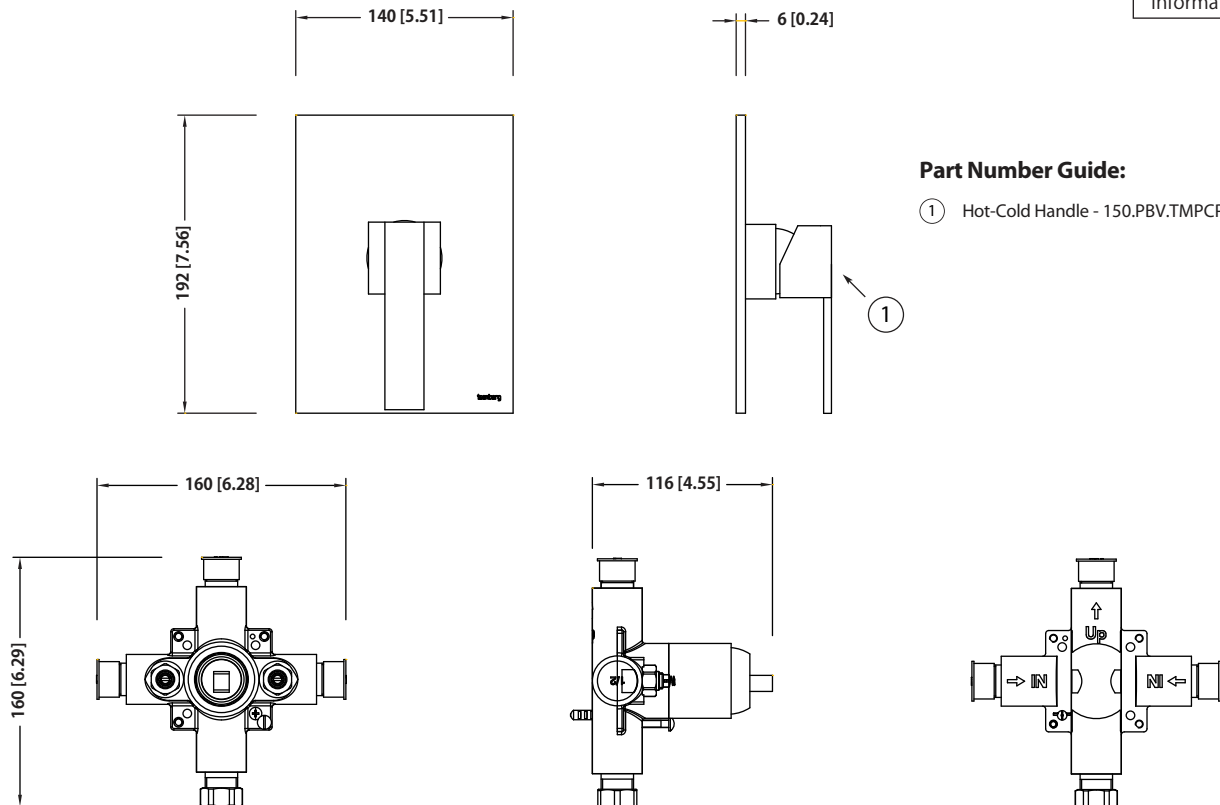


ZeroDrip Technology



Technical Diagram

See Spec Sheet For
PBV1005AS For Detailed
Information On Valve.





PBV1005AS | Single Control Pressure Balance Valve Page 1 of 2

SPECIFICATIONS:

- Lift Handle to control volume. Turn left for hot, right for cold.
- Pressure Balance Valve Flow Rate - 5.5 GPM @ 60 PSI

FAST SHIP FINISHES :

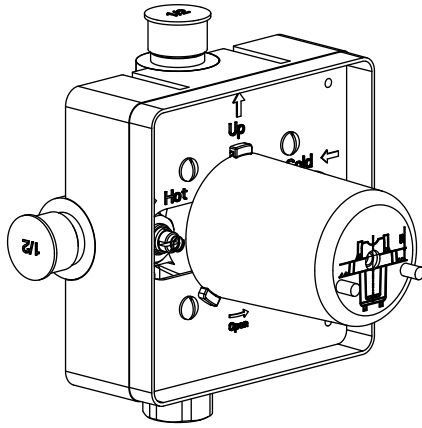
- Chrome - PBV1005ASCP / Brushed Nickel - PBV1005ASBN

STANDARDS:

- ASME A112.18.1 / CSA B125.1

WARRANTY:

- Limited lifetime warranty to the original consumer purchaser against finish and workmanship

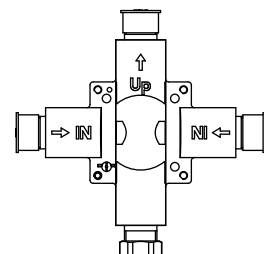
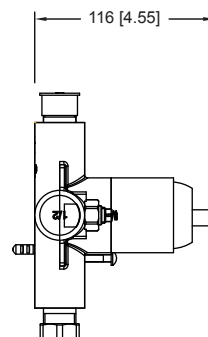
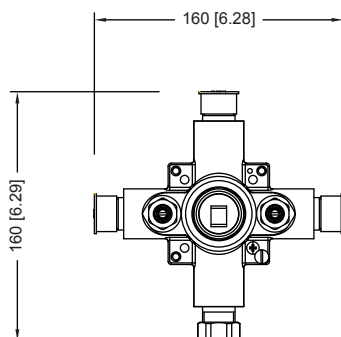
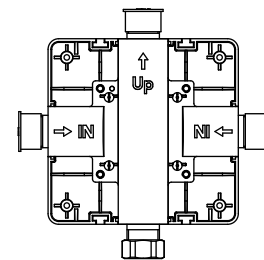
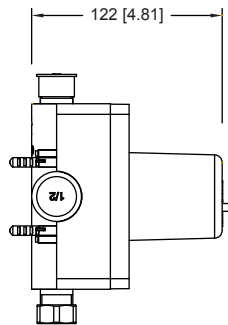
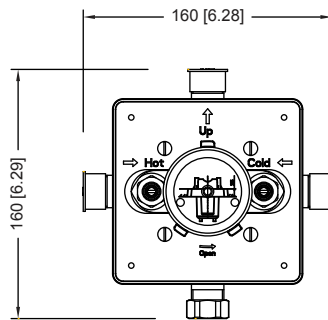


Legislation Compliance

ZeroDrip Technology



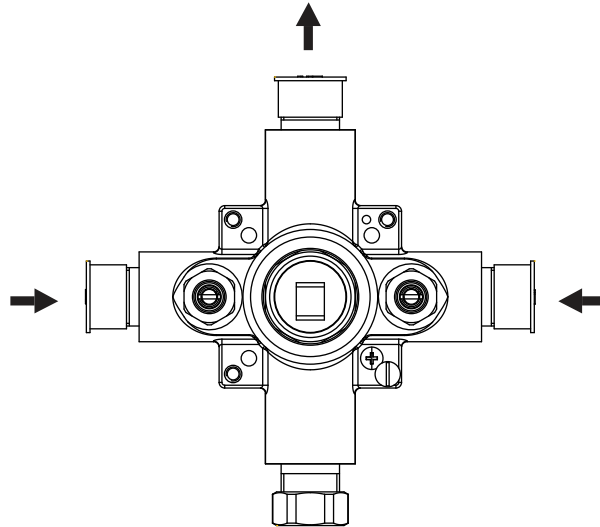
Technical Diagram



PBV1005AS | Single Control Pressure Balance Valve Page 2 of 2



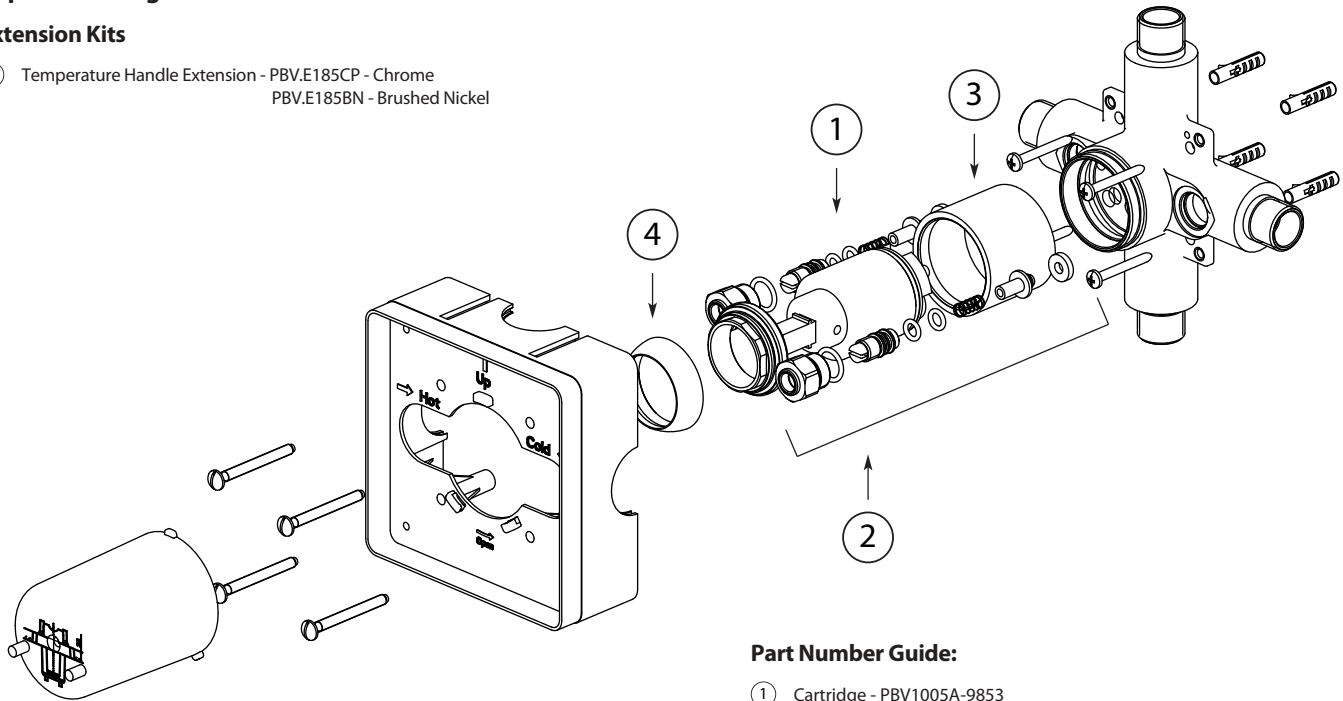
Water Flow Diagram



Explosion Diagram

Extension Kits

- a Temperature Handle Extension - PBV.E185CP - Chrome
PBV.E185BN - Brushed Nickel



Part Number Guide:

- ① Cartridge - PBV1005A-9853
- ② Integral Stop Kit - PBV1005AS-1987
- ③ Cartridge Cover - 8002048-042CP - Chrome
8002048-042BN - Brushed Nickel
- ④ Cartridge Bezel - 8002048-072CP - Chrome
8002048-072BN - Brushed Nickel