

150.1800 | Single Lever Wall Mount Basin Faucet

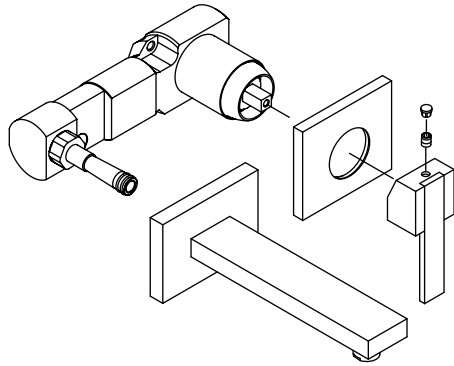


SPECIFICATIONS:

- Solid Brass construction - includes valve
- Wall Mount Installation
- 1.2GPM @ 60 PSI
- Ceramic disc cartridge allows both volume and temperature control
- Extension Available - 160.1800E**

STANDARDS:

- ASME A112.18.1 / CSA B125.1, NSF-61



LowFlow Capable



Legislation Compliance



Low Lead Compliant



ZeroDrip Technology



Technical Diagram

