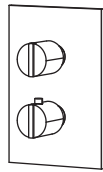
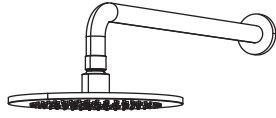


145.7000 | Single Output Shower W/ Rain Head



COMPONENTS

- HS1012SA - 16" Shower Arm
- HS1002A - 8" Shower Head
- 145.4101T - Shower Trim
- TVH.4101 - 3/4" Shower Valve

SHOWER VALVE:

- Thermostatic shower valve
- Valve includes service stops
- Turn bottom handle to set temp.
- Top handle controls water volume

SHOWER HEAD:

- Solid brass construction
- 1.8 GPM flow rate

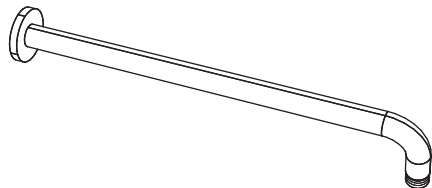
STANDARDS:

- ASME A112.18.1 / CSA B125.1

See individual component specification sheets on following pages for further details.



HS1012SA | Round Shower Arm - 400mm - 16"



SPECIFICATIONS:

- Solid Brass Shower Arm
- With Sliding Flange

FAST SHIP FINISHES :

- Chrome - HS1012SACP / Brushed Nickel - HS1012SABN

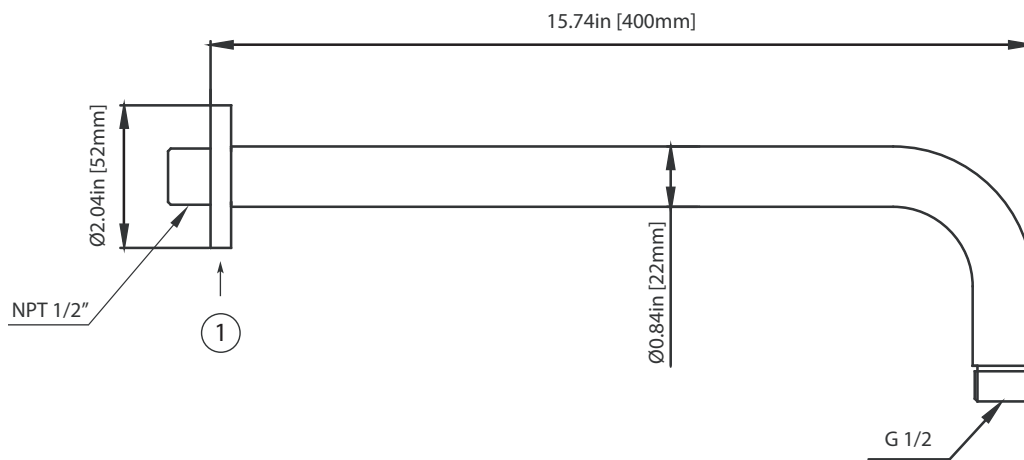
Legislation Compliance



ZeroDrip Technology



Technical Diagram



NOT TO SCALE

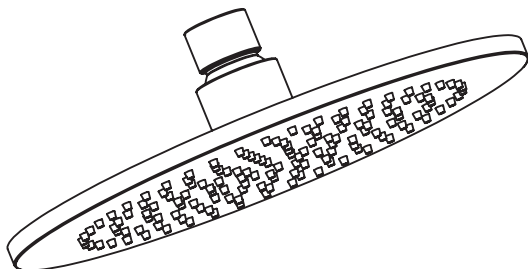
Part Number Guide:

- ① Flange - HS1002SA-1253CP - Chrome
HS1002SA-1253BN - Brushed Nickel

HS1002A | 8" Brass Shower Head

SPECIFICATIONS:

- Solid Brass Shower Head
- Scrub rubber nozzles to easily clean water sediment
- 1.8 GPM Flow Rate



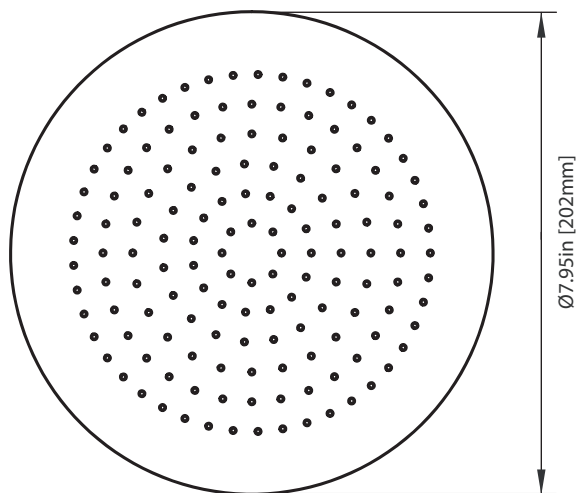
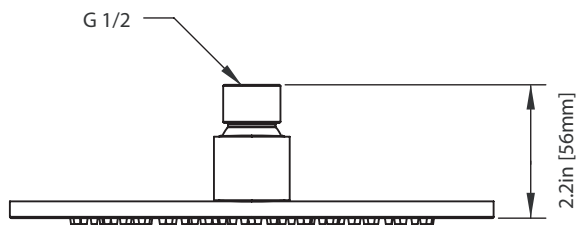
Legislation Compliance



ZeroDrip Technology

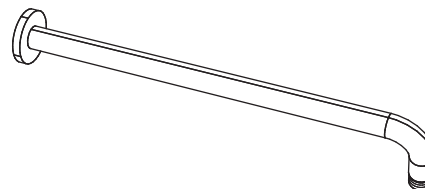


Technical Diagram

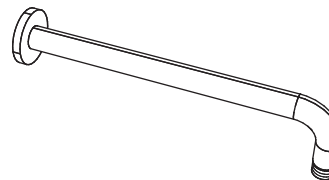


MATCHING SHOWER ARMS:

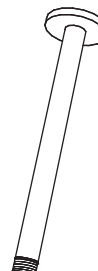
1) HS1012SA (16" Wall Mount Shower Arm)



2) HS1002SA (12" Wall Mount Shower Arm)

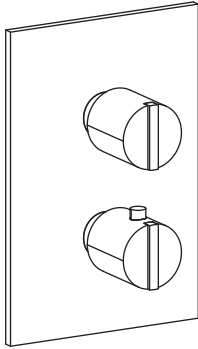


3) 100.12CSA (10" Ceiling Mount Shower Arm)



145.4101T | Thermostatic Shower Trim

SPECIFICATIONS:



- Solid Brass construction
- Valve not included - trim only
- Turn bottom handle to control temperature.
- Turn top handle to control volume

CALGreen Compliant



Belgian Mirror Finish



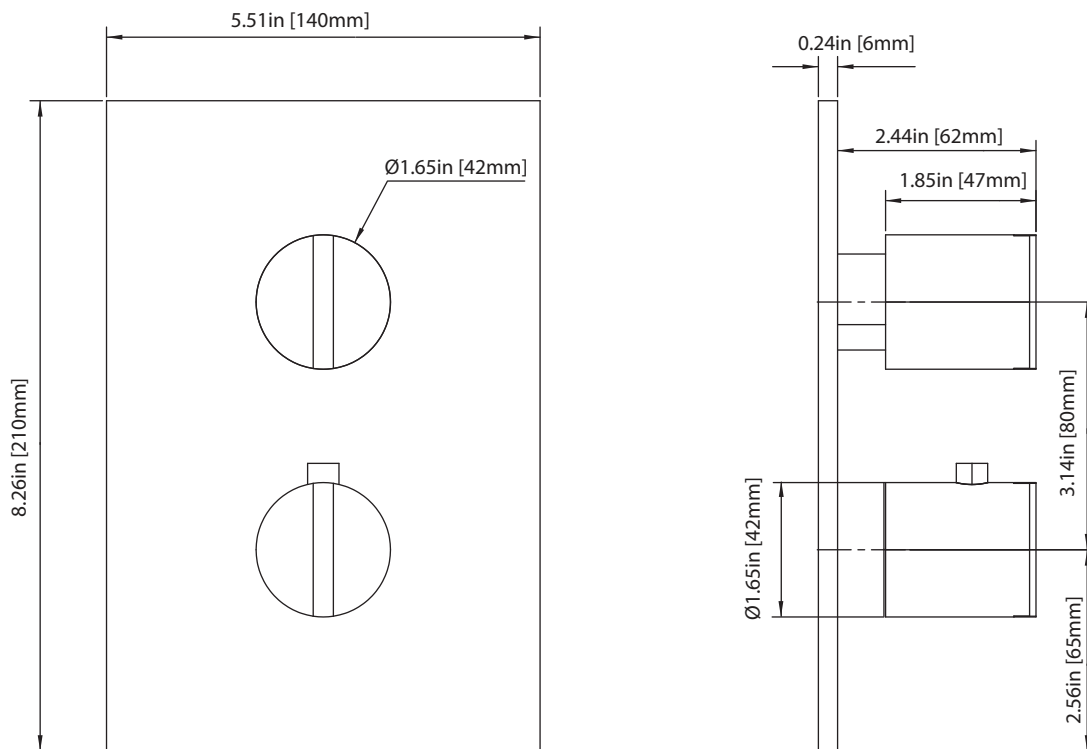
Legislation Compliance



ZeroDrip Technology

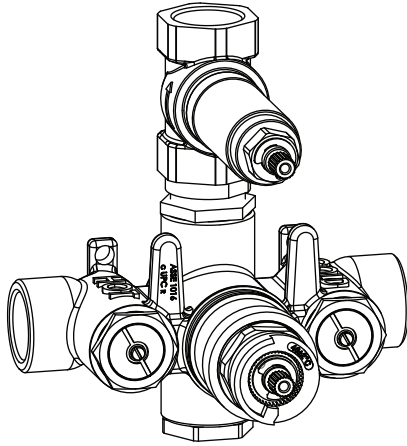


Technical Diagram



TVH.4101 | 3/4" Thermostatic Valve With Volume Control

Page 1 of 2



SPECIFICATIONS:

- Turn bottom knob to control temperature.
- Turn top knob to control water flow.
- Thermostatic Valve Flow Rate - 13.0 GPM @ 60 PSI

STANDARDS:

- ASME A112.18.1 / CSA B125.1

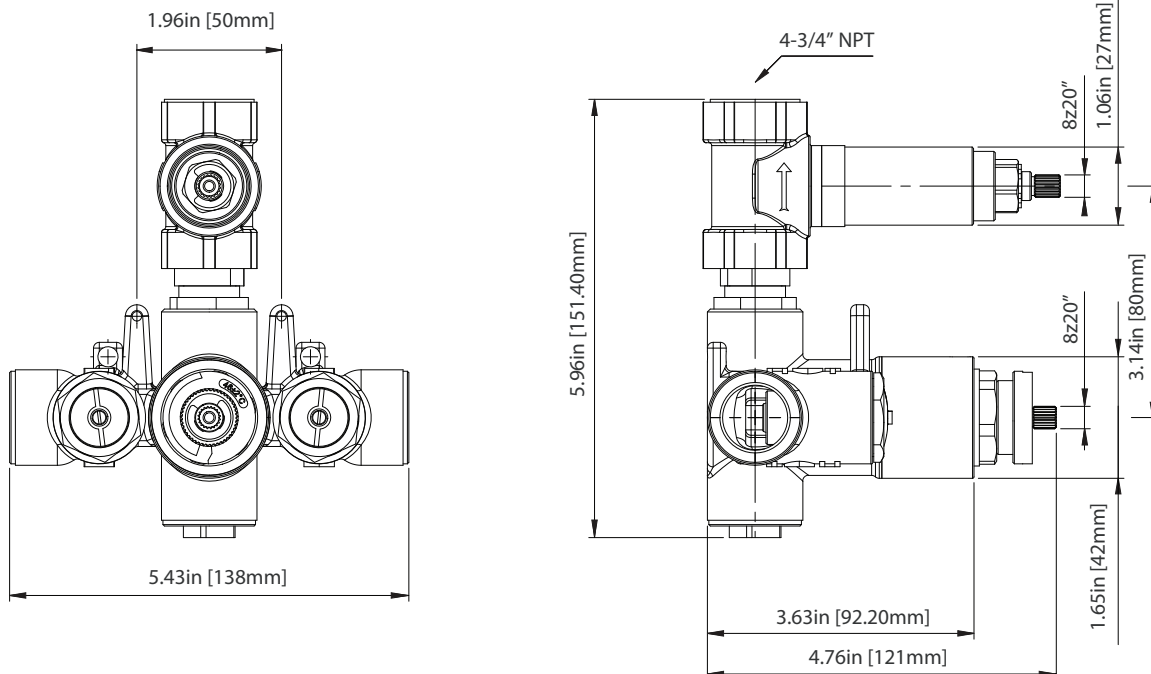
Legislation Compliance



ZeroDrip Technology



Technical Diagram

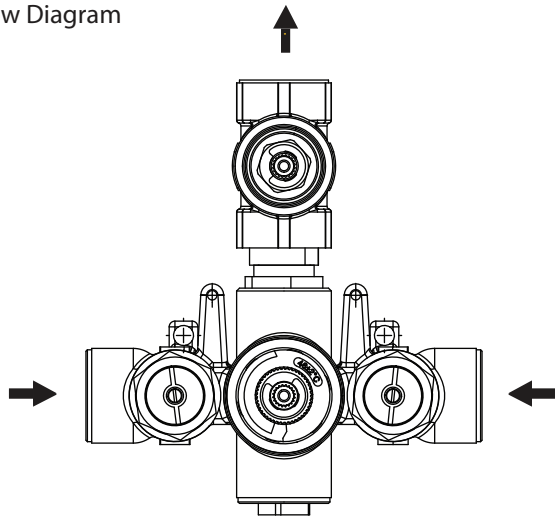


TVH.4101 | 3/4" Thermostatic Valve With Volume Control

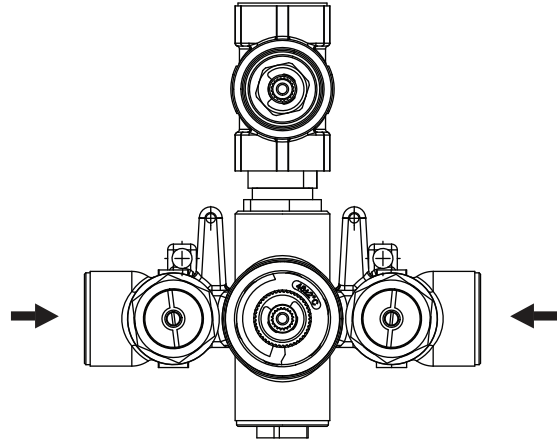
Page 2 of 2



Water Flow Diagram



Diverter Position = Left (on)



Diverter Position = Top (off)