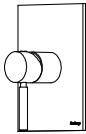


100.3050 | Single Output Shower W/ Shower Head & Arm



COMPONENTS

- HS1030 - 7" Shower Arm
- HSB.6R - 6" Shower Head
- UF.2200T - Shower Trim
- PBV.1005AS - Shower Valve

SHOWER VALVE:

- Pressure balance shower valve
- Valve includes service stops
- Lift handle to control volume
- Turn left for hot, right for cold

SHOWER HEAD:

- Single function
- Solid brass construction
- 1.8 GPM flow rate

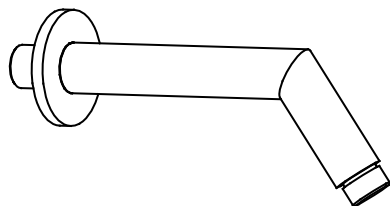
STANDARDS:

- ASME A112.18.1 / CSA B125.1

See individual component specification sheets on following pages for further details.



HS1030 | Round Shower Arm



SPECIFICATIONS:

- Solid Brass Shower Arm
- With Brass Flange

FAST SHIP FINISHES :

- Chrome - HS1030CP / Brushed Nickel - HS1030BN

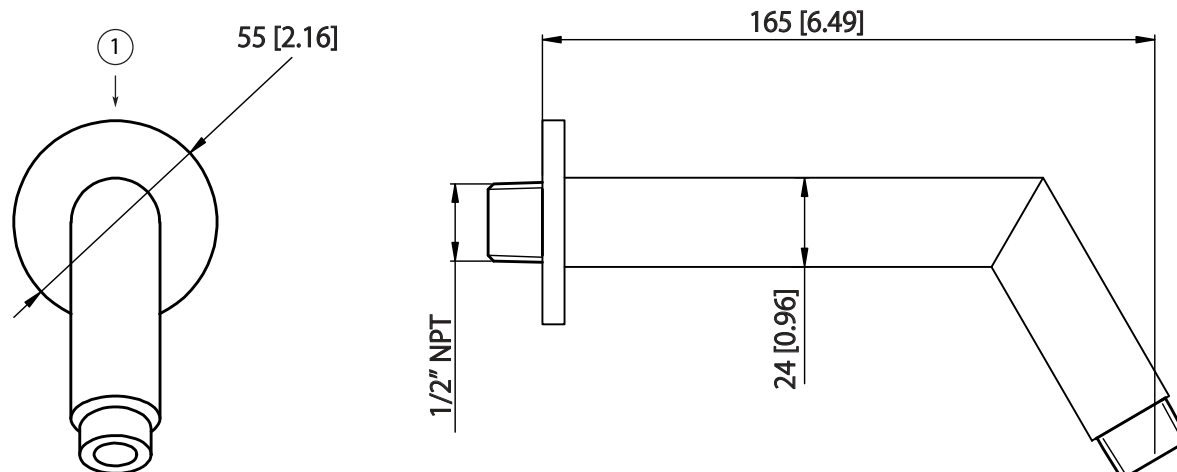
Legislation Compliance



ZeroDrip Technology



Technical Diagram



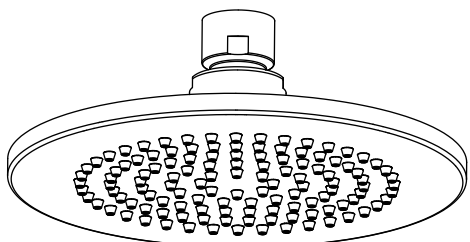
Part Number Guide:

- ① Flange - HS1030-1253CP - Chrome
HS1030-1253BN - Brushed Nickel

HSB.6R | 6" Brass Shower Head

SPECIFICATIONS:

- Solid Brass Shower Head
- Scrub rubber nozzles to easily clean water sediment
- 1.8 GPM Flow Rate
- 123 Nozzles
- Use with HS1030 Shower Arm



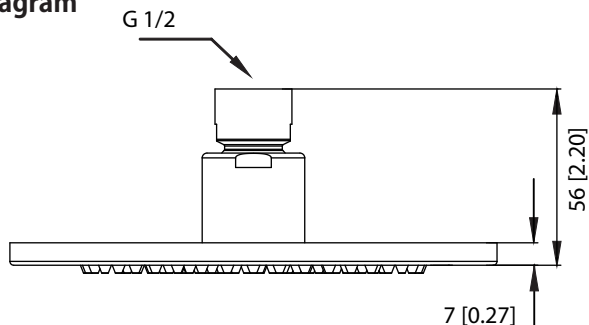
Legislation Compliance



ZeroDrip Technology

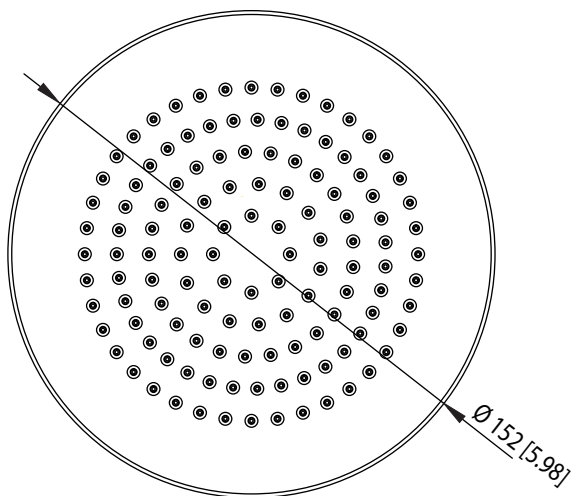
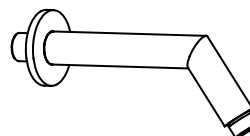


Technical Diagram



MATCHING SHOWER ARMS:

1) HS1030





UF.2200 | 1-Way Shower Trim Set With Pressure Balance Valve

SPECIFICATIONS:

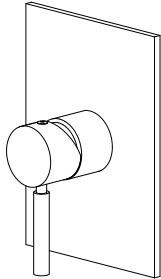
- Solid Brass Trim & Handle set
- Includes Pressure balance valve (PBV1005AS**) w/ service stops
- Lift Handle to control volume. Turn left for hot, right for cold.
- Pressure Balance Valve Flow Rate - 5.5 GPM @ 60 PSI
- Extension Available - PBV.E185**

FAST SHIP FINISHES :

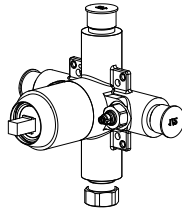
- Chrome - UF.2200CP / Brushed Nickel - UF.2200BN

STANDARDS:

- ASME A112.18.1 / CSA B125.1



+



Trim
[UF.2200T**]

Valve
[PBV1005AS**]

** Denotes Finish (CP Or BN)

Legislation Compliance

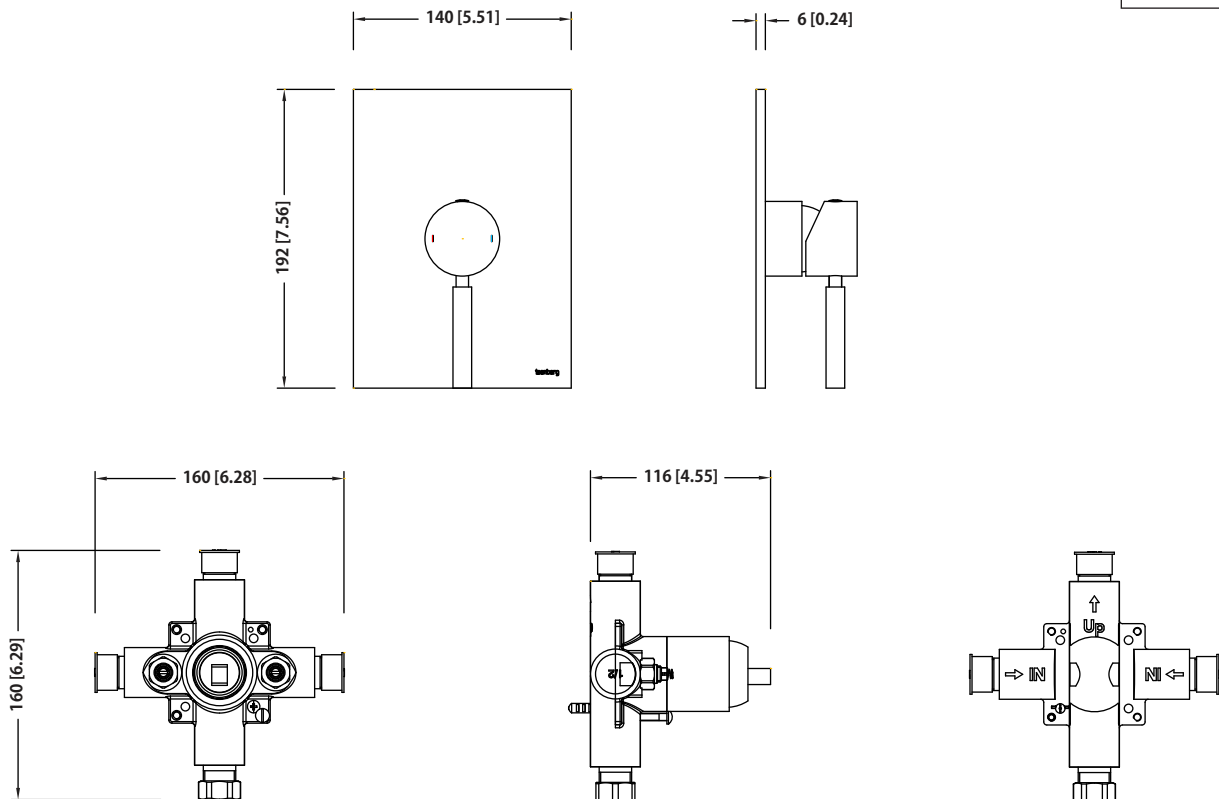


ZeroDrip Technology



Technical Diagram

See Spec Sheet For
PBV1005AS For Detailed
Information On Valve.





PBV1005AS | Single Control Pressure Balance Valve Page 1 of 2

SPECIFICATIONS:

- Lift Handle to control volume. Turn left for hot, right for cold.
- Pressure Balance Valve Flow Rate - 5.5 GPM @ 60 PSI

FAST SHIP FINISHES :

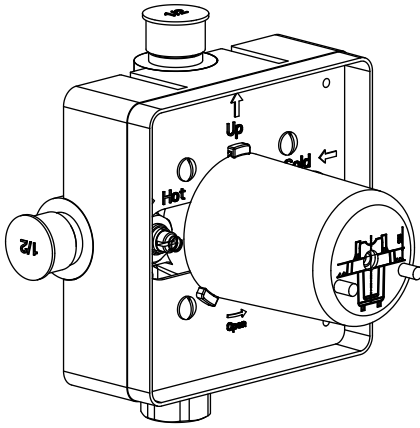
- Chrome - PBV1005ASCP / Brushed Nickel - PBV1005ASBN

STANDARDS:

- ASME A112.18.1 / CSA B125.1

WARRANTY:

- Limited lifetime warranty to the original consumer purchaser against finish and workmanship

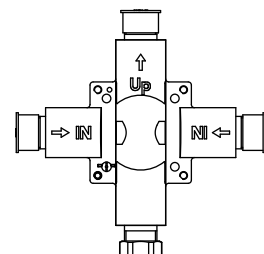
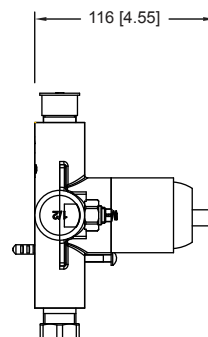
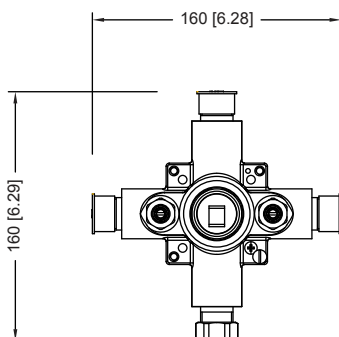
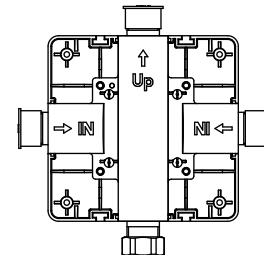
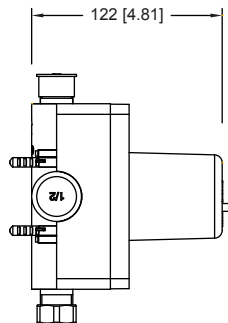
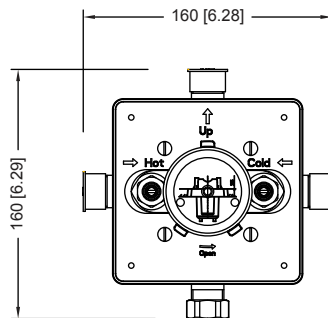


Legislation Compliance

ZeroDrip Technology



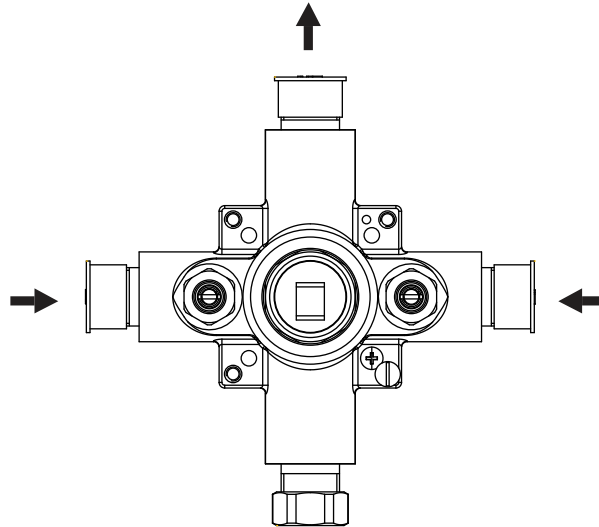
Technical Diagram



PBV1005AS | Single Control Pressure Balance Valve Page 2 of 2



Water Flow Diagram



Extension Kits

- a Temperature Handle Extension - PBV.E185CP - Chrome
PBV.E185BN - Brushed Nickel