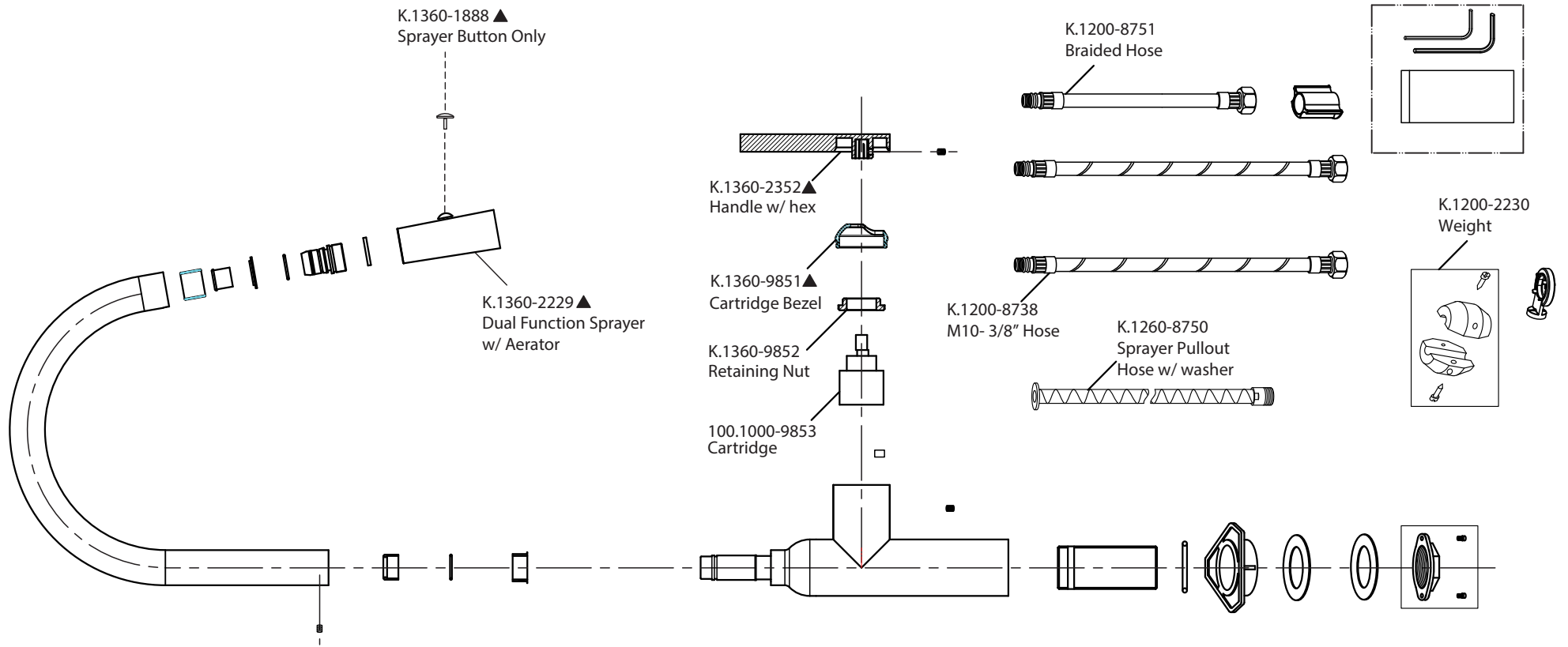


# Product Parts Breakdown



**isenberg**  
innovation+design

K.1360

Ver 2.55