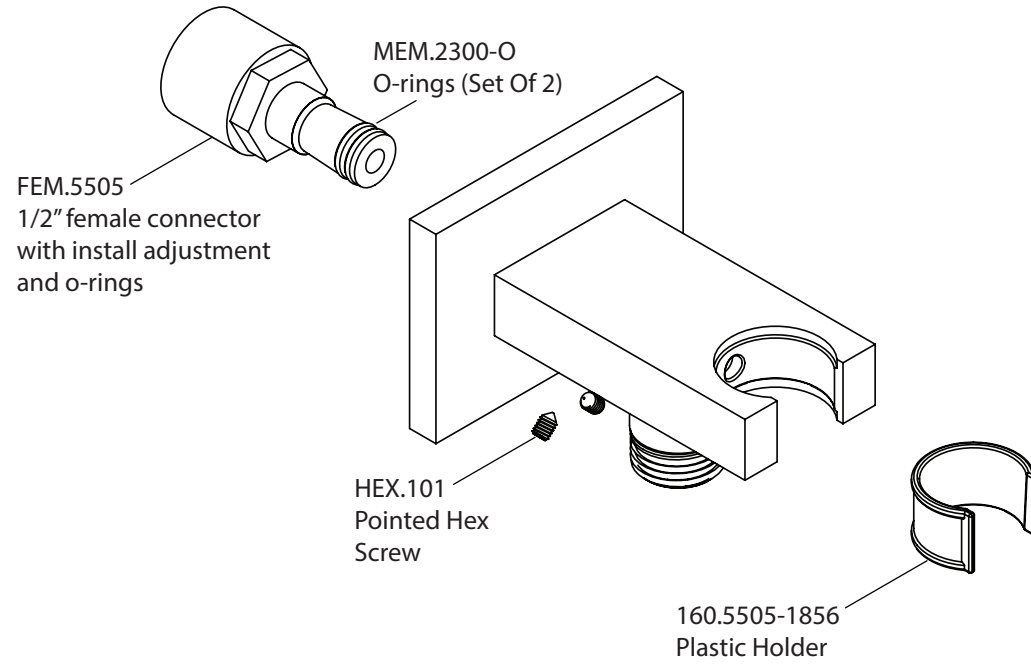


Product Parts Breakdown



isenberg
innovation+design

HS8006

Ver 2.55