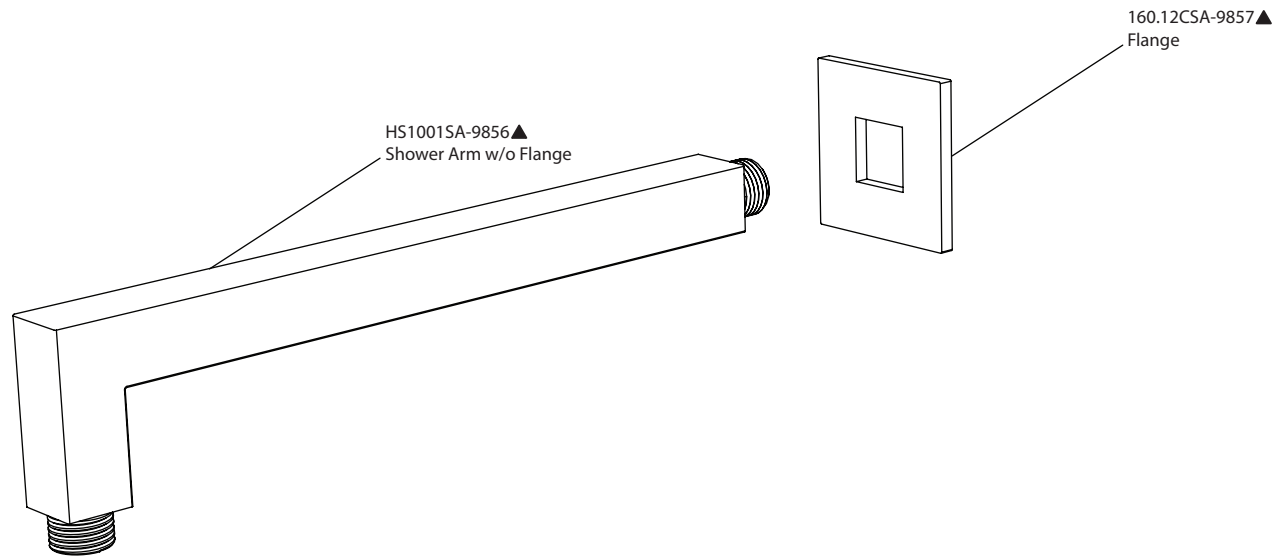


Product Parts Breakdown

▲ Specify Finish



isenberg
innovation+design

HS1001SA

Ver 2.53