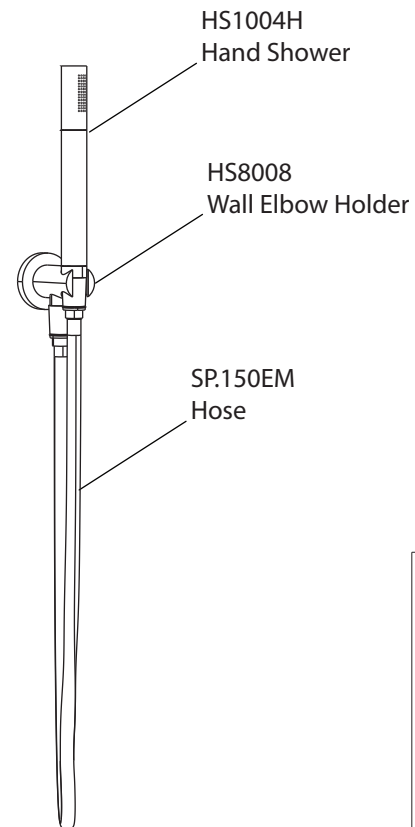
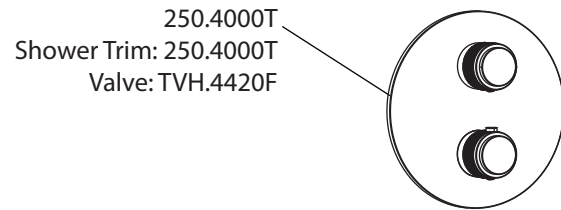
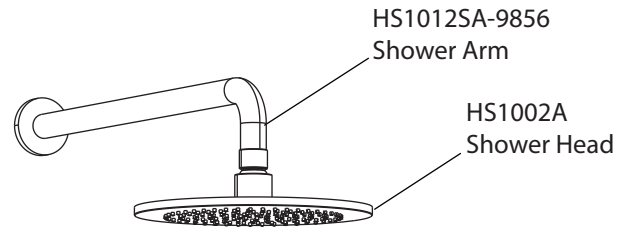


Product Parts Breakdown

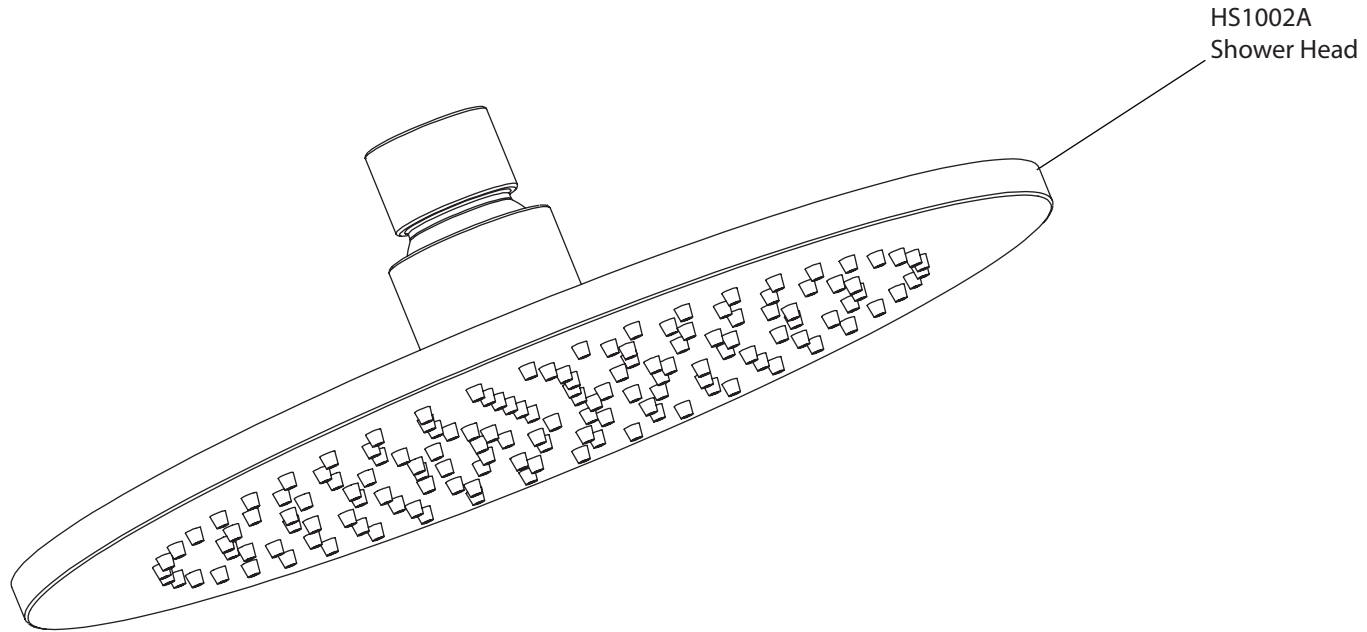


isenberg
innovation+design

250.7050

Product Parts Breakdown

▲ Specify Finish



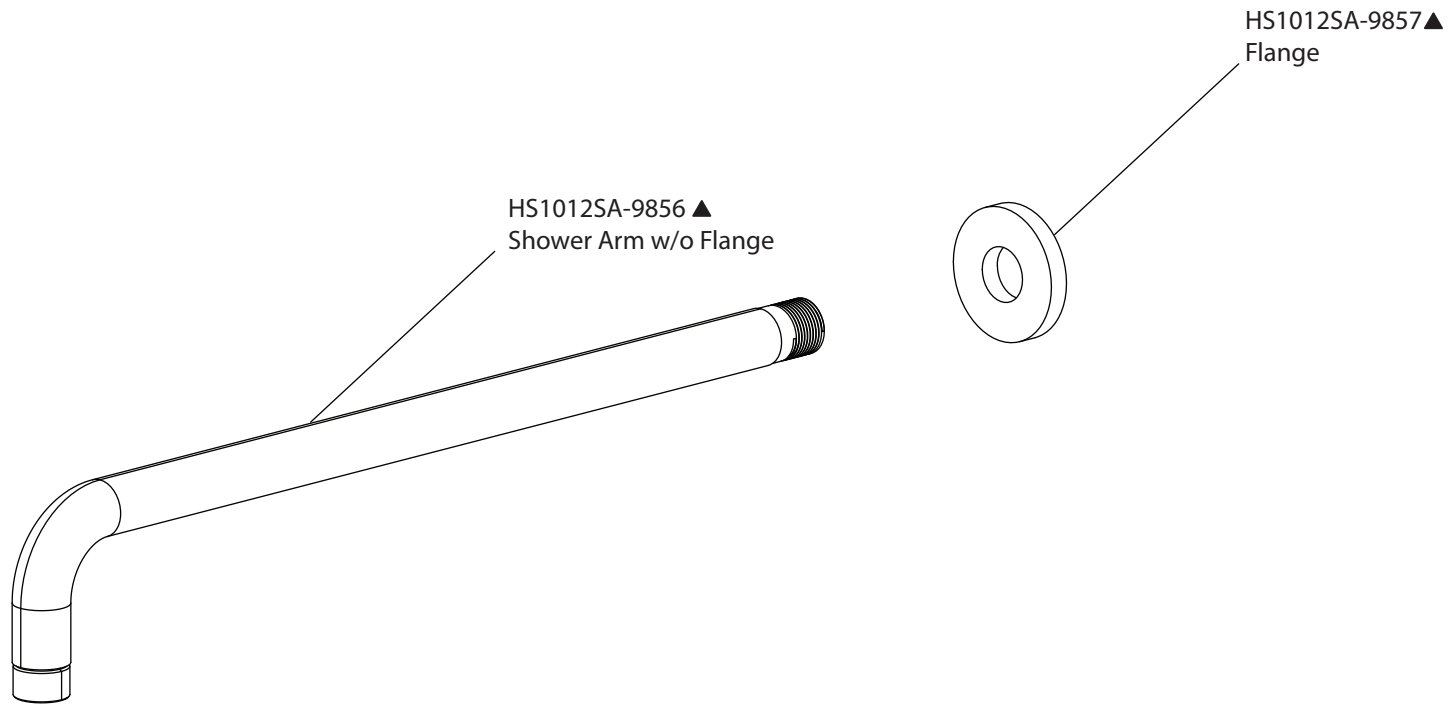
isenberg
innovation+design

HS1002A

Ver 2.53

Product Parts Breakdown

▲ Specify Finish

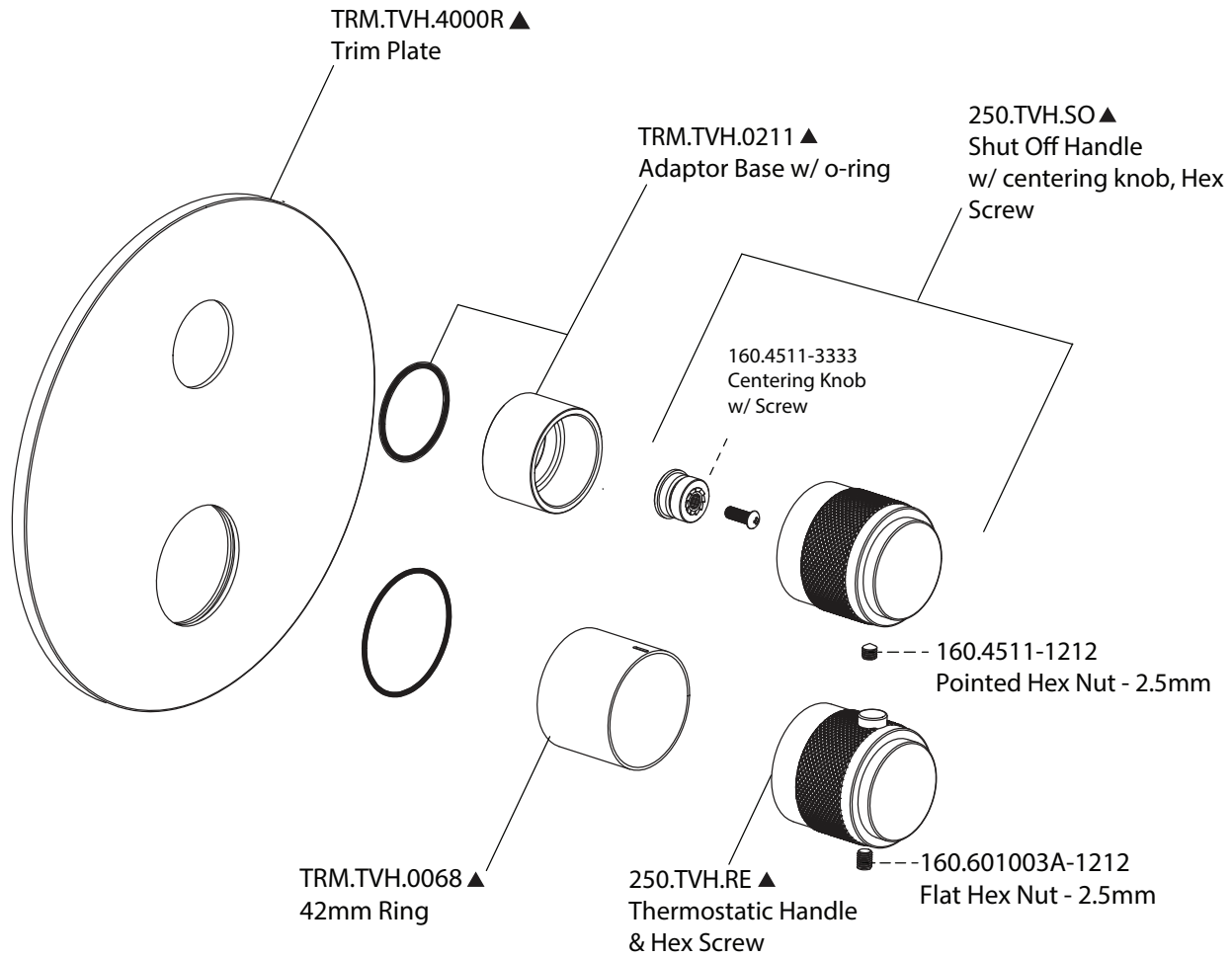


isenberg
innovation+design

HS1012SA

Ver 2.53

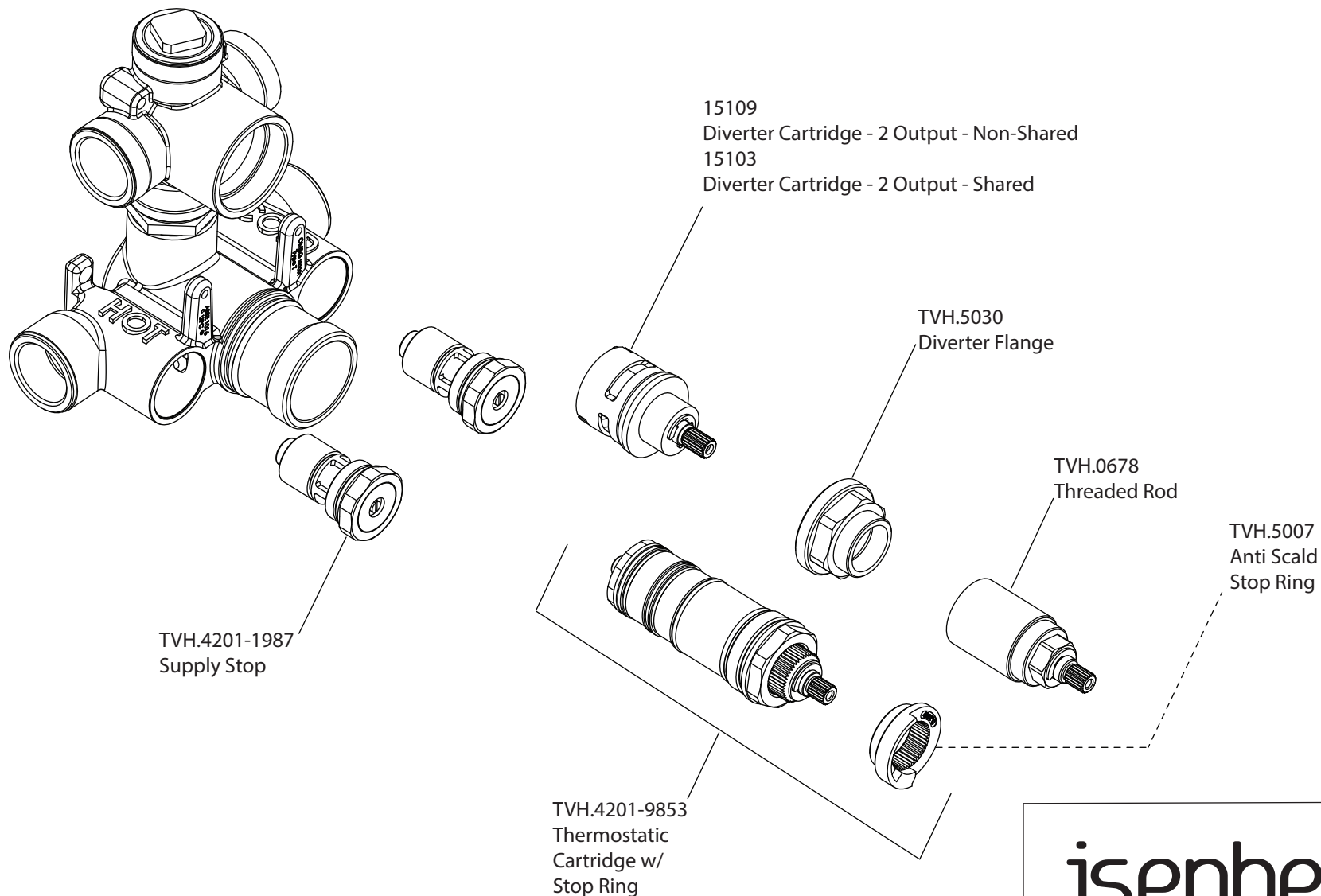
Product Parts Breakdown



isenberg
innovation+design

250.4000T

Product Parts Breakdown



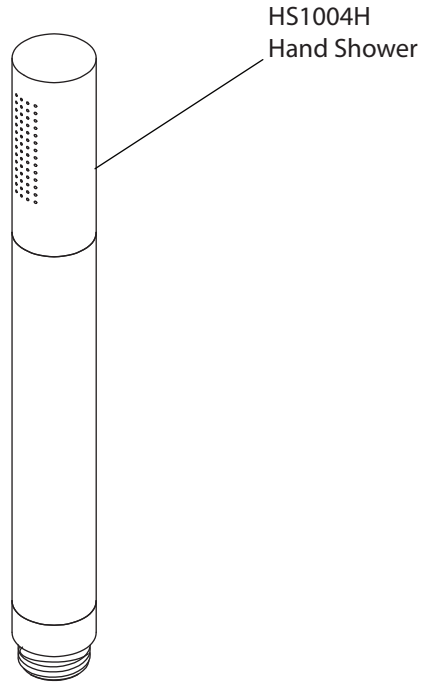
isenberg
innovation+design

TVH.4420F

Ver 2.54

Product Parts Breakdown

▲ Specify Finish



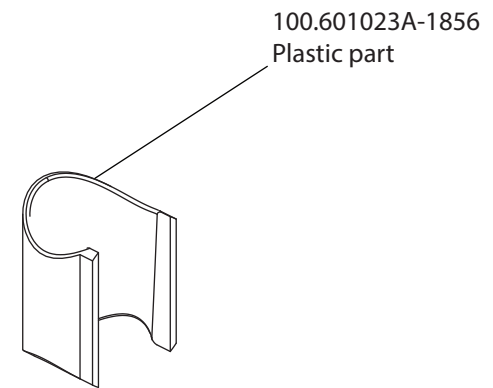
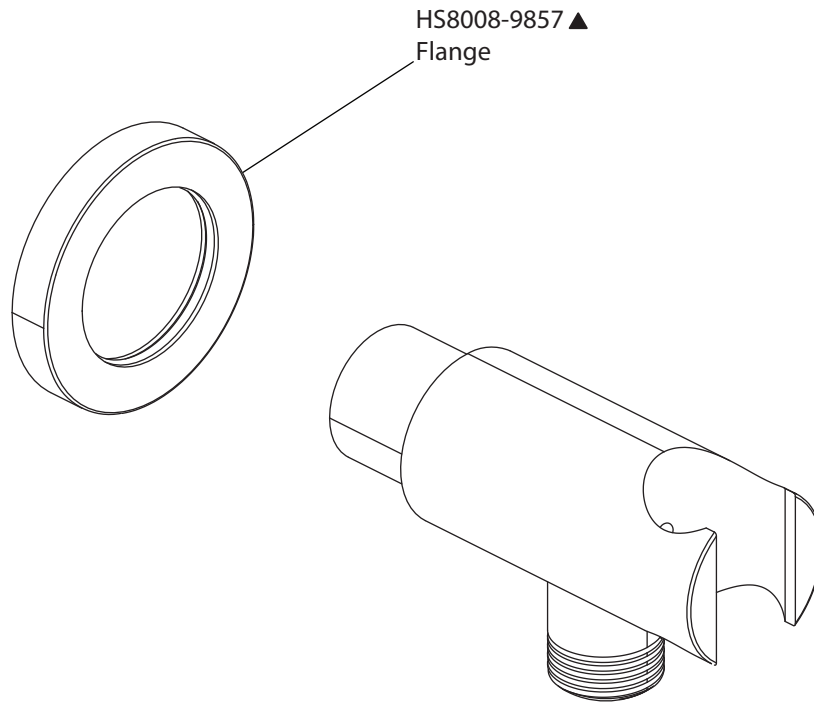
isenberg
innovation+design

HS1004H

Ver 2.55

Product Parts Breakdown

▲ Specify Finish



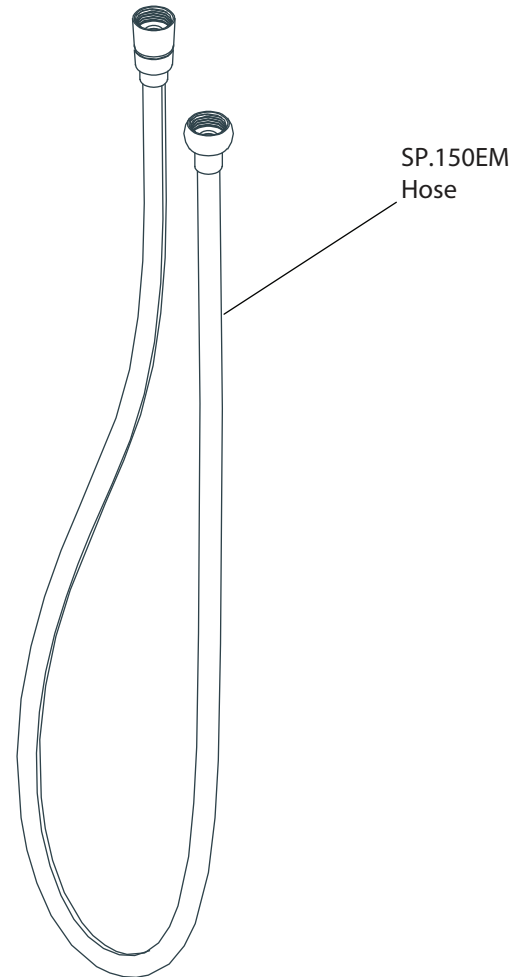
isenberg
innovation+design

HS8008

Ver 2.54

Product Parts Breakdown

▲ Specify Finish



isenberg
innovation+design

SP.150EM

Ver 2.55