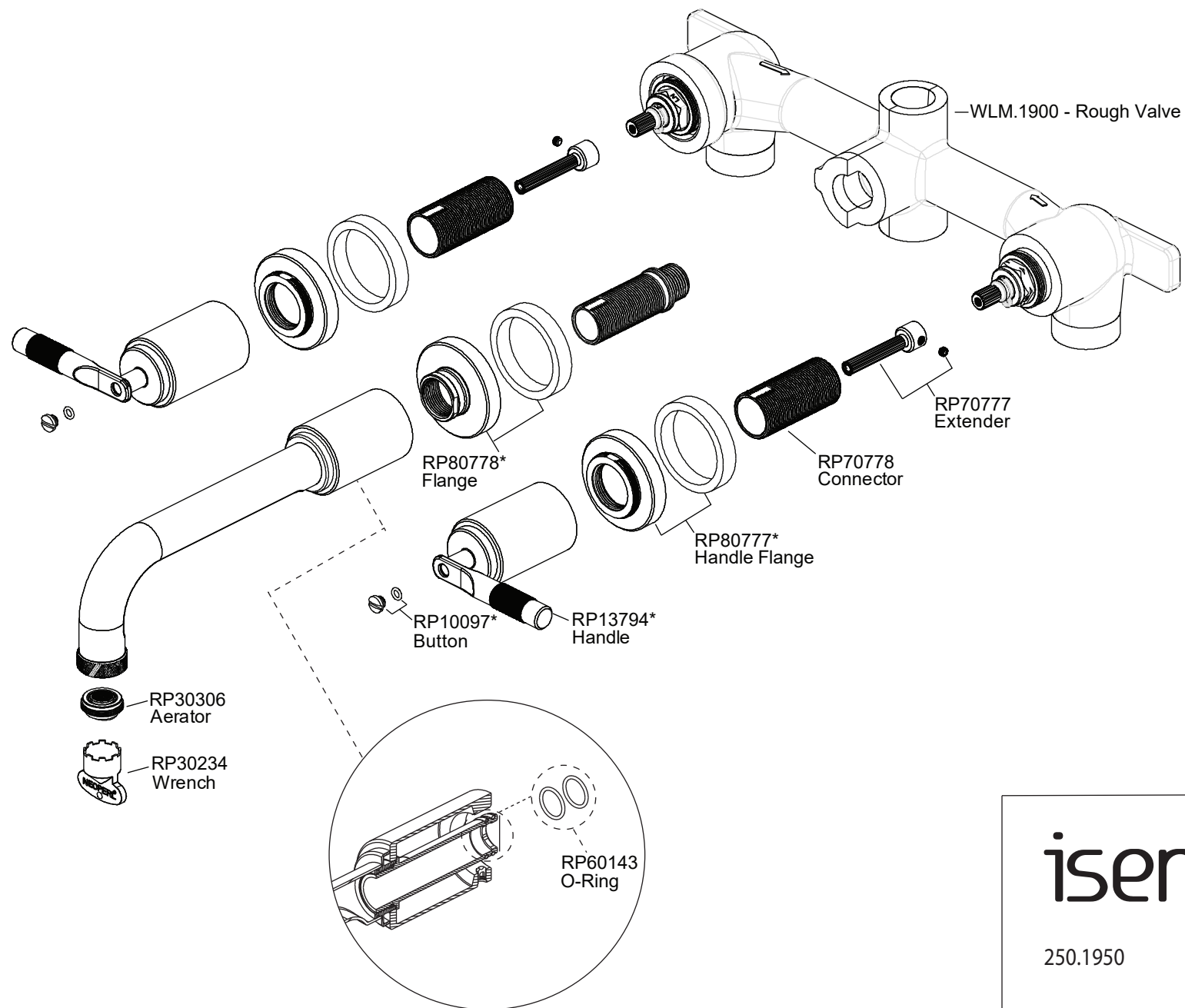


# Product Parts Breakdown



**isenberg**  
innovation+design

250.1950

Ver 2.55