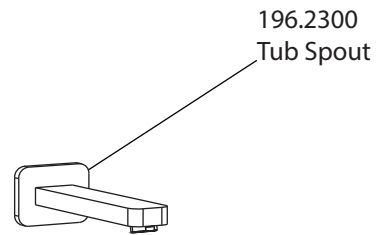
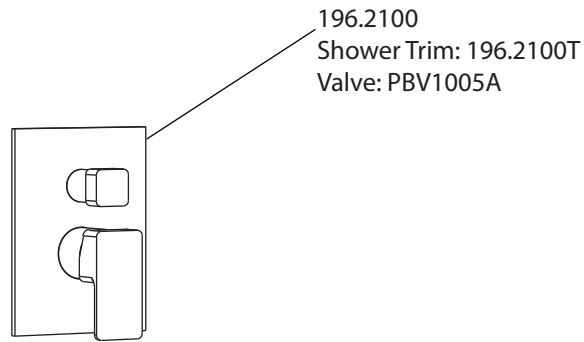
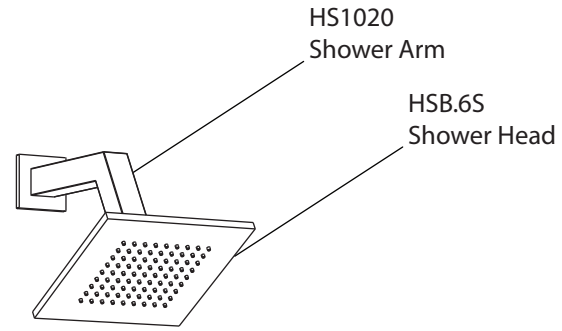


Product Parts Breakdown

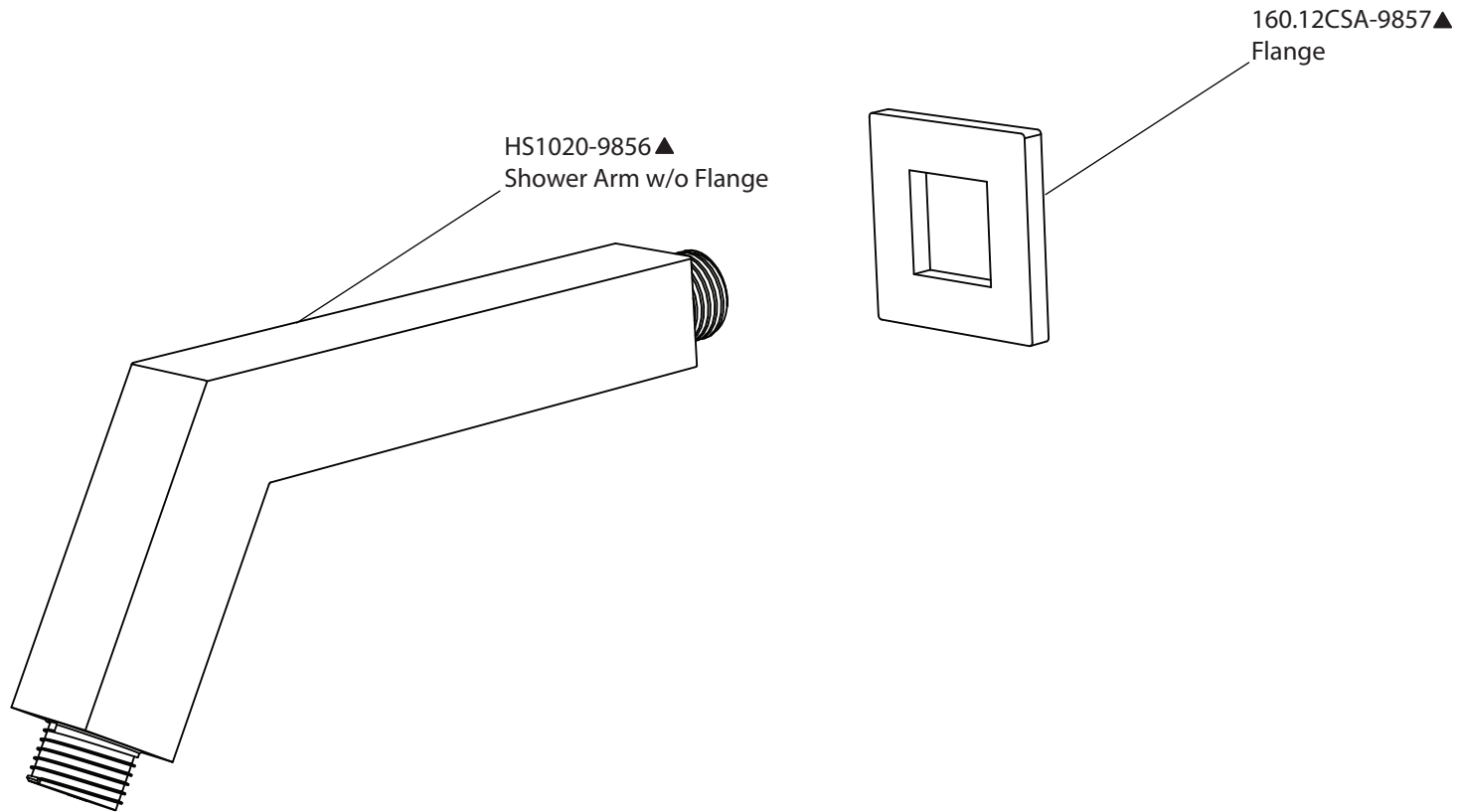


isenberg
innovation+design

196.3200

Ver 2.53

Product Parts Breakdown



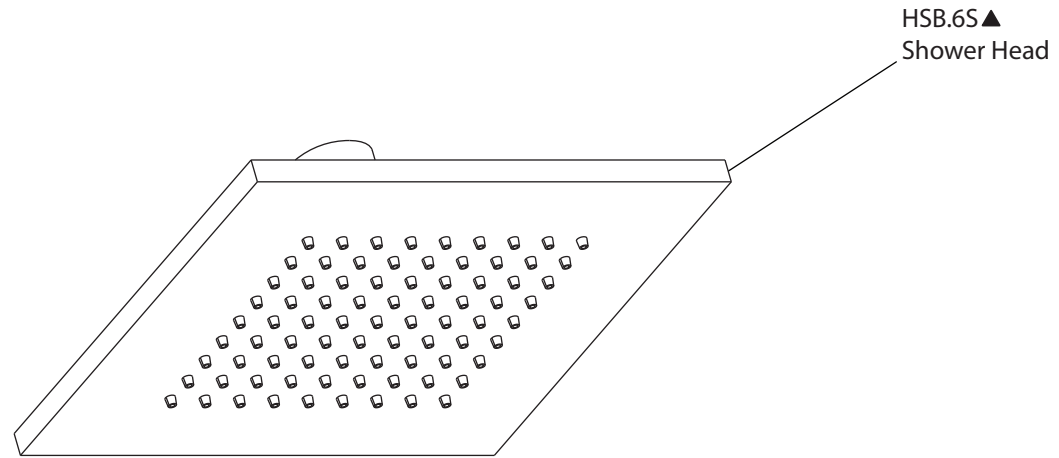
isenberg
innovation+design

HS1020

Ver 2.53

Product Parts Breakdown

▲ Specify Finish



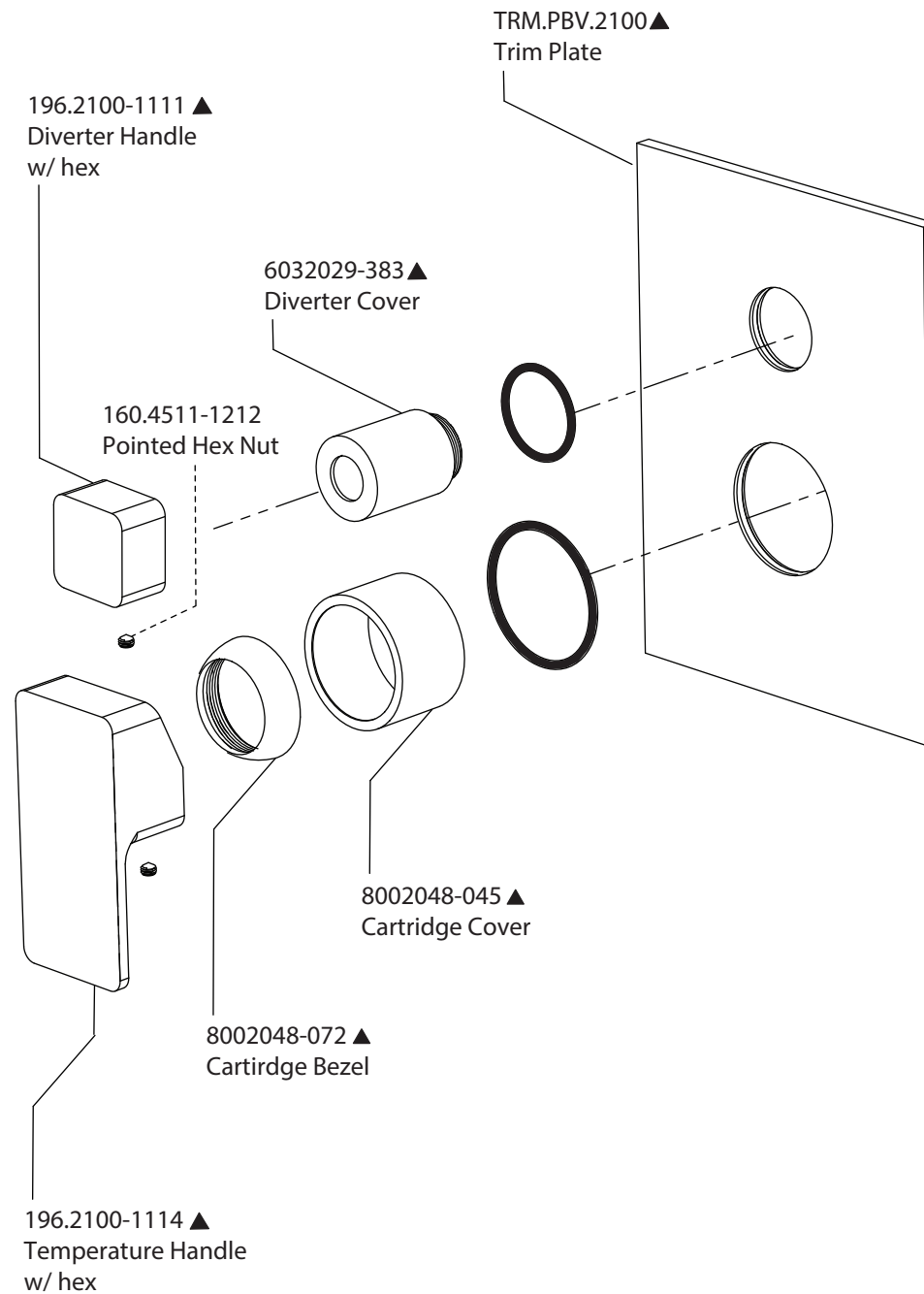
isenberg
innovation+design

HSB.6S

Ver 2.53

Product Parts Breakdown

▲ Specify Finish

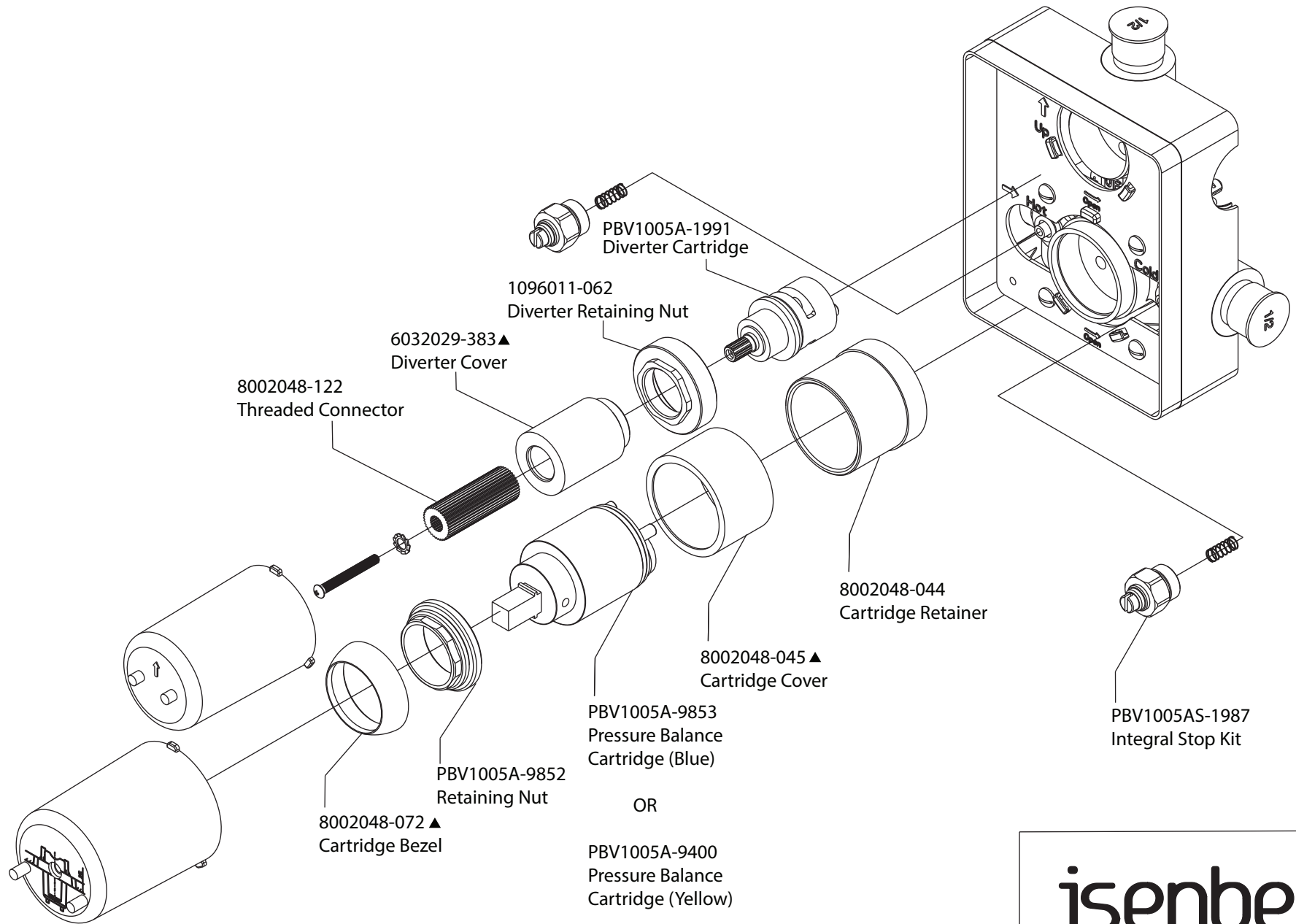


isenberg
innovation+design

196.2100T

Ver 2.53

Product Parts Breakdown

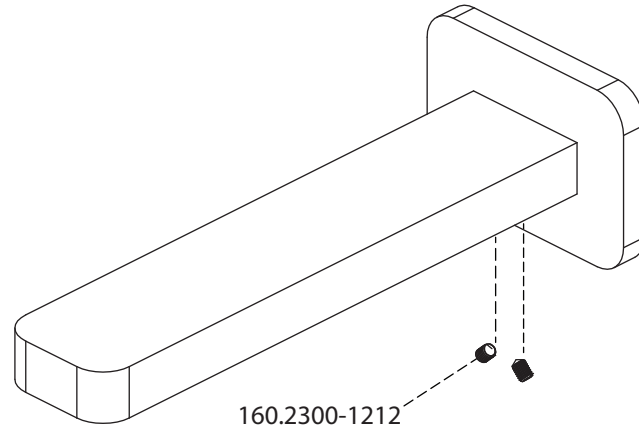


isenberg
innovation+design

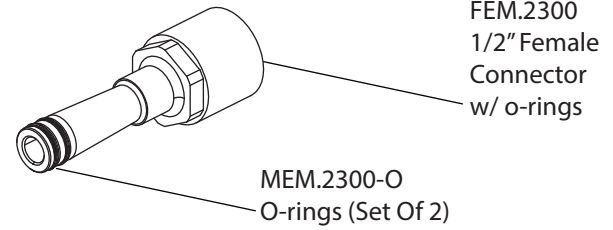
PBV1005A

Product Parts Breakdown

▲ Specify Finish

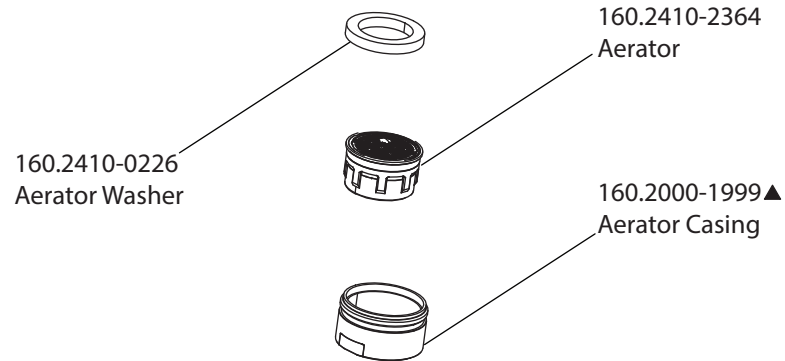


160.2300-1212
Pointed Hex Nut



FEM.2300
1/2" Female
Connector
w/ o-rings

MEM.2300-O
O-rings (Set Of 2)



160.2410-0226
Aerator Washer

160.2410-2364
Aerator

160.2000-1999▲
Aerator Casing

isenberg
innovation+design

196.2300

Ver 2.55