

Product Parts Breakdown Using TVH.4420F Valve

15109
Diverter Cartridge - 2 Output - Non-Shared
15103
Diverter Cartridge - 2 Output - Shared

TVH.5030
Diverter Flange

TVH.0678
Threaded Rod

TVH.5007
Anti Scald
Stop Ring

TRM.TVH.4000▲
Trim Plate

TRM.TVH.0211▲
Adaptor Base
w/ o-ring

150.TVH.SO▲
Shut Off Handle
w/ Button, Hex Screw
& Centering Knob

TVH.4201-1987
Supply Stop

TVH.4201-9853
Thermostatic
Cartridge w/
Stop Ring

160.4511-3333
Centering Knob
w/ Screw

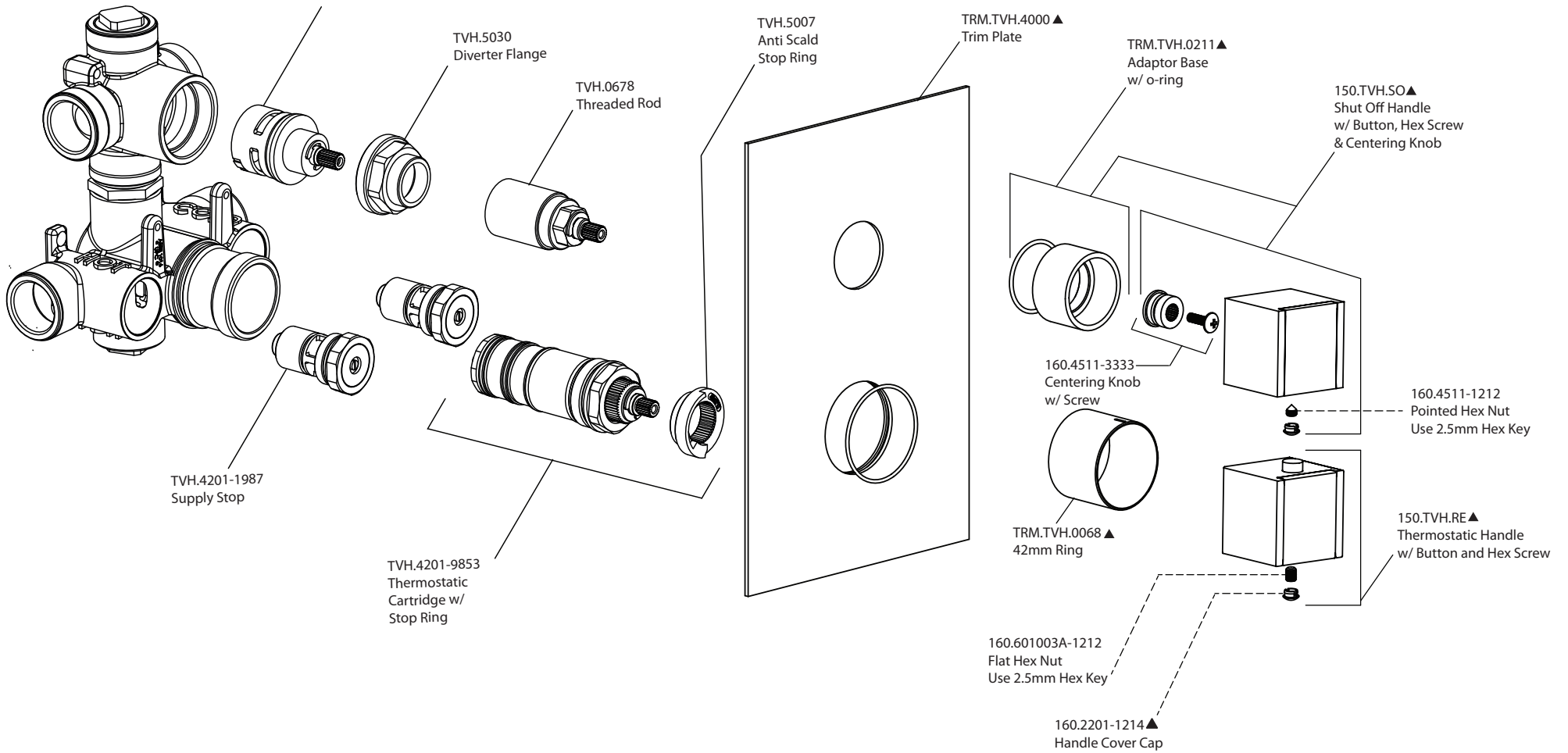
160.4511-1212
Pointed Hex Nut
Use 2.5mm Hex Key

TRM.TVH.0068▲
42mm Ring

150.TVH.RE▲
Thermostatic Handle
w/ Button and Hex Screw

160.601003A-1212
Flat Hex Nut
Use 2.5mm Hex Key

160.2201-1214▲
Handle Cover Cap

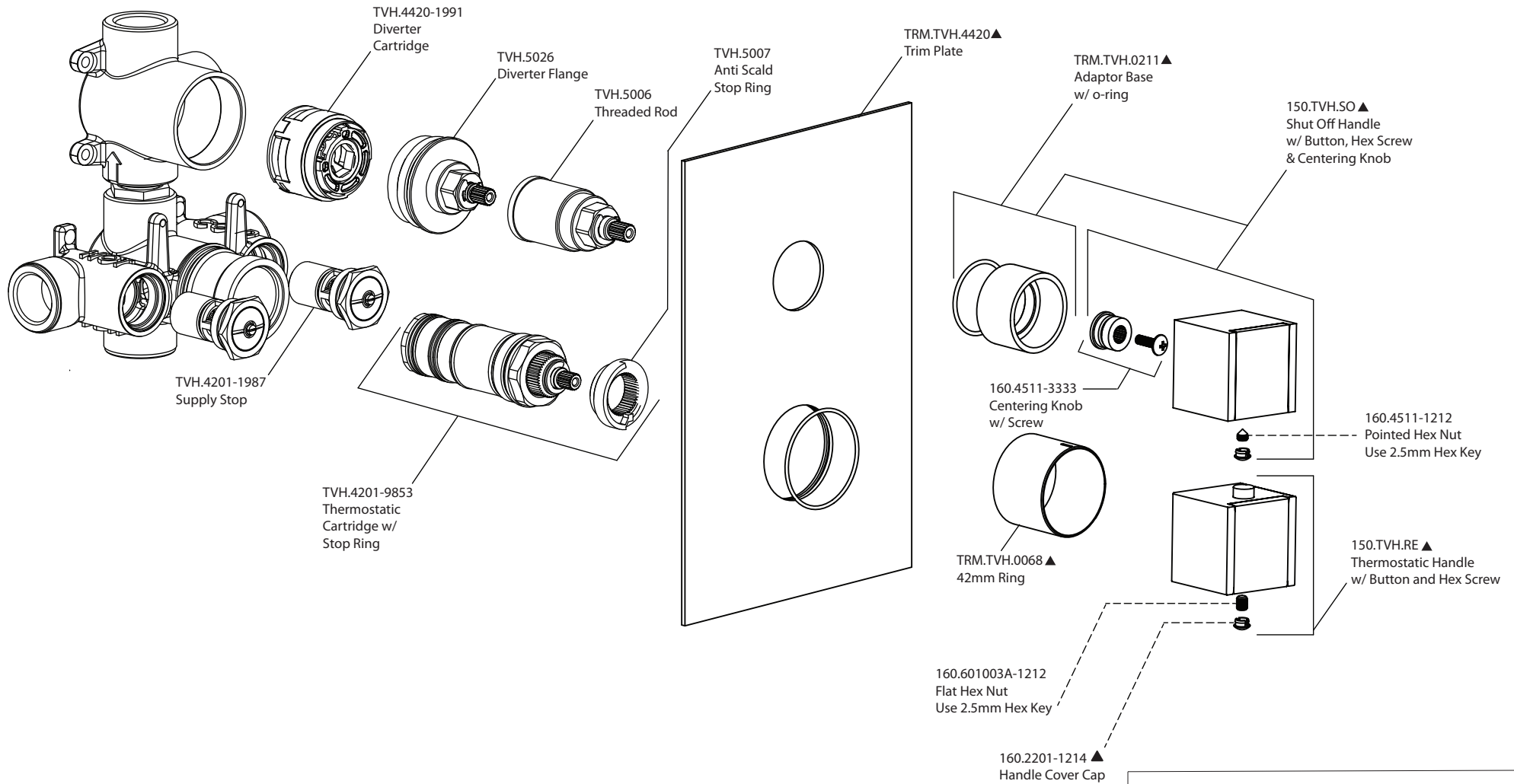


isenberg
innovation+design

150.4420

Product Parts Breakdown

Using TVH.4420 Valve



isenberg
innovation+design

150.4420